

Spherical washers, Form C DIN 6319, edition 10/01

Item description/product images



Description

Material:

Mild steel or stainless steel.
Form G high carbon steel tempered to HV 390 ±40.

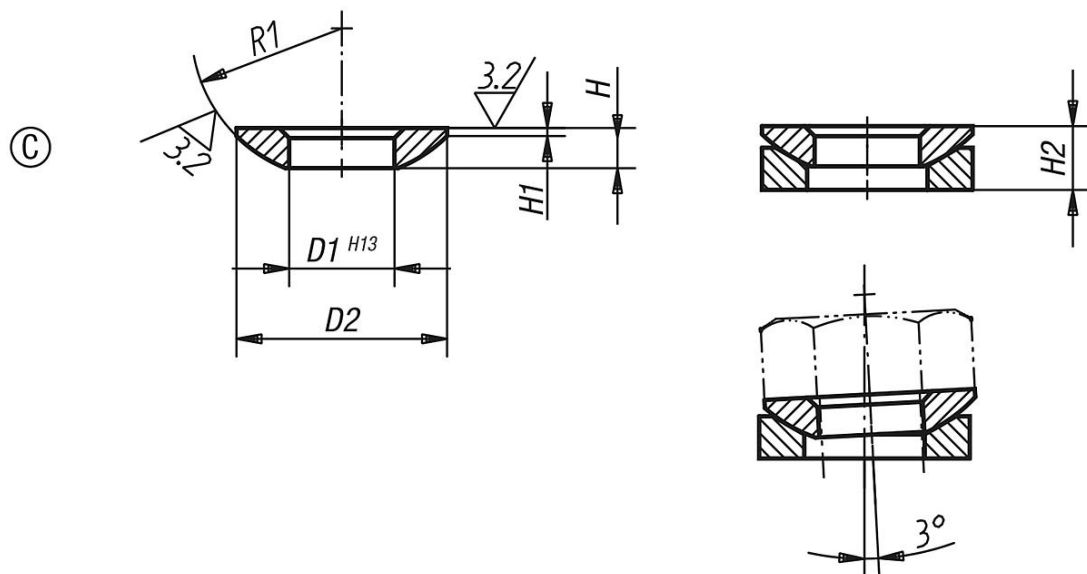
Version:

Steel version case hardened.
Stainless steel version bright, not hardened.

Note:

Conical seat Form G should be used over slots.

Drawings



Overview of items

Order No.	Main material	Form	D1	D2	H	H1	R1	Load rating max. kN (static load only)
K0729.105	mild steel	C	5,25	10,5	2	0,4	7,5	6,5
K0729.106	mild steel	C	6,4	12	2,3	0,7	9	9
K0729.108	mild steel	C	8,4	17	3,2	0,6	12	17
K0729.110	mild steel	C	10,5	21	4	0,8	15	26
K0729.112	mild steel	C	13	24	4,6	1,1	17	38
K0729.114	mild steel	C	15	28	5	1,2	22	53
K0729.116	mild steel	C	17	30	5,3	1,3	22	73
K0729.120	mild steel	C	21	36	6,3	2	27	117
K0729.124	mild steel	C	25	44	8,2	2,4	32	168
K0729.130	mild steel	C	31	56	11,2	3,6	41	269
K0729.136	mild steel	C	37	68	14	4,6	50	394
K0729.142	mild steel	C	43	78	17	6,5	58	542
K0729.148	mild steel	C	50	92	21	8	67	714
K0729.156	mild steel	C	58	103	23	9,5	79	960
K0729.164	mild steel	C	66	120	27	12	93	1269
K0729.0106	stainless steel	C	6,4	12	2,3	0,7	9	6
K0729.0108	stainless steel	C	8,4	17	3,2	0,6	12	12
K0729.0110	stainless steel	C	10,5	21	4	0,8	15	16
K0729.0112	stainless steel	C	13	24	4,6	1,1	17	24

Spherical washers, Form C DIN 6319, edition 10/01

Overview of items

Order No.	Main material	Form	D1	D2	H	H1	R1	Load rating max. kN (static load only)
K0729.0116	stainless steel	C	17	30	5,3	1,3	22	45
K0729.0120	stainless steel	C	21	36	6,3	2	27	71
K0729.0124	stainless steel	C	25	44	8,2	2,4	32	105
K0729.0130	stainless steel	C	31	56	11,2	3,6	41	191
K0729.0136	stainless steel	C	37	68	14	4,6	50	-
K0729.0142	stainless steel	C	43	78	17	6,5	58	-
K0729.0148	stainless steel	C	50	92	21	8	67	-