

Pin-end clamp straps Form B

Item description/product images



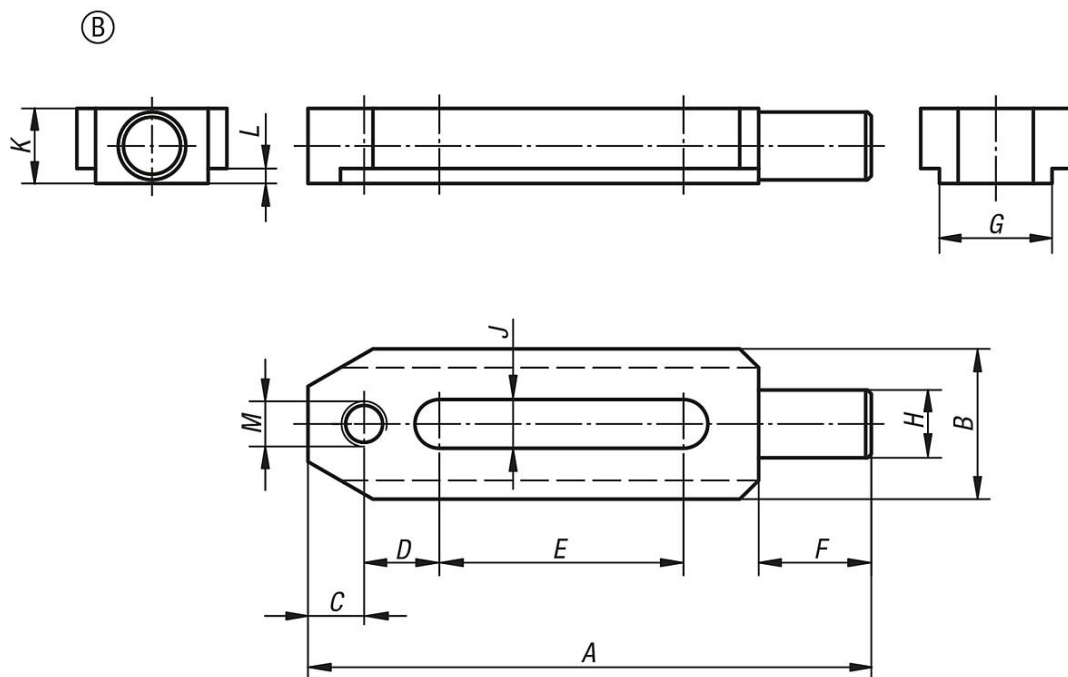
Description

Material:
Carbon steel.

Version:
Tempered and black oxidised.

Note:
Pin-end straps can be used in conjunction with other fixture elements, such as K0839, K0821, K0307.

Drawings



Overview of items

Order No.	A	B	C	D	E	F	G	H	J	K	L	M
K0834.12150	150	40	15	20	65	30	30	18	13	20	4	M12
K0834.16190	190	50	20	25	80	36	40	24	18	28	5	M16