

Round inserts, Form E

Item description/product images



Description

Material, version:

Stainless steel, hardened, bright.

Note:

Grippers and inserts are ideal for use in clamping arms, gripping systems, clamping fixtures, clamping jaws and self-aligning pads. The use of grippers allows the transfer of very high torque values and above average grip, even with hard materials and surface irregularities.

Grippers and inserts can be fitted in the following self-aligning pads:

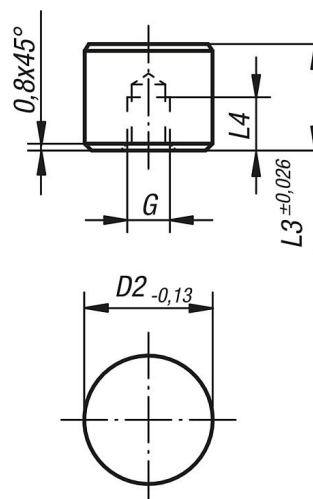
Order No. K0285.117X022 up to K0285.936X036

Order No. K0289.110X015 up to K0289.924X100

Order No. K0291.120X030 up to K0291.924X080

Drawings

Form E
stainless steel insert,
flat face



Overview of items

Order No.	Form	D2	L3	L4	G
K0385.10102	E	10	10	5	M5
K0385.10122	E	10	12	6,4	M5
K0385.12102	E	12	10	5	M5
K0385.12122	E	12	12	6,4	M5
K0385.16102	E	16	10	5	M6
K0385.16122	E	16	12	6,4	M6
K0385.20102	E	20	10	5	M6
K0385.20122	E	20	12	6,4	M6
K0385.25102	E	25	10	5	M6
K0385.25122	E	25	12	6,4	M6