

Self-aligning pads, adjustable, with O-ring and exchangeable inserts, hexagon socket, Form E, flattened stainless steel insert smooth

Item description/product images



Description

Material:

Body carbon steel.

Ball rust and acid resistant steel.

Insert:

Form E: stainless steel.

Version:

Body tempered and black oxidised.

Ball hardened, bright.

Insert:

Form E hardened, bright.

Note:

Self-aligning pads are used to support and clamp unmachined and machined workpieces.

They also serve as stops, supports and thrust pads in fixtures and toolmaking.

The ball can be removed from the housing by applying light pressure to the socket head screw.

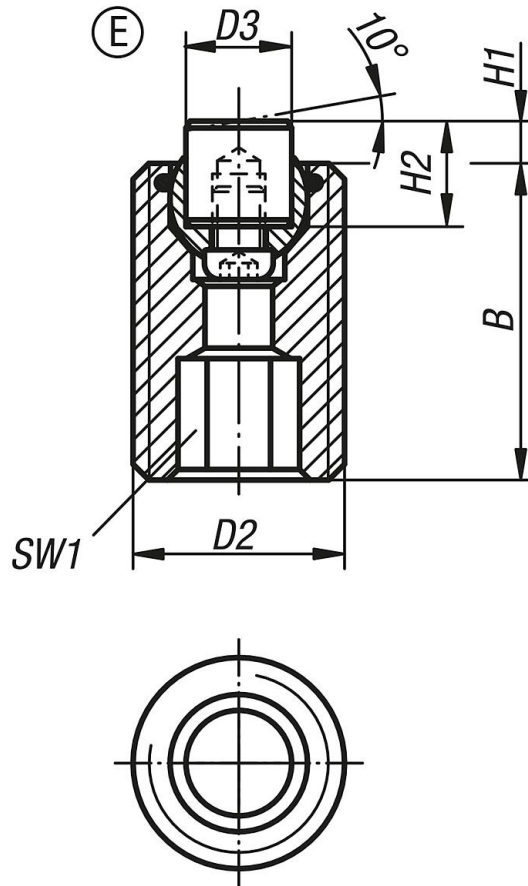
Ball secured against rotation.

Advantages:

Highly cost-effective as inserts can be exchanged.

The built-in O-ring holds the ball in place and keeps dirt and foreign particles out, ensuring uniform movement.

Self-aligning pads, adjustable, with O-ring and exchangeable inserts, hexagon socket, Form E, flattened stainless steel insert smooth
 Drawings



Overview of items

Order No.	Form	B	D2	D3	H1	H2	SW1	Ball-Ø	Load rating max. kN (static load only)	Order No. stainless steel insert
K0291.220X030	E	30	M20	10	4	10	10	13	37	K0385.10102
K0291.220X050	E	50	M20	10	4	10	10	13	37	K0385.10102
K0291.220X070	E	70	M20	10	4	10	10	13	37	K0385.10102
K0291.224X040	E	40	M24	12	4	10	10	15	55	K0385.12102
K0291.224X080	E	80	M24	12	4	10	10	15	55	K0385.12102