

Indexing plungers, steel or stainless steel, without collar, with plastic mushroom grip and locknut

Item description/product images



Description

Material:

Steel version

Indexing pin hardened:
grade 5.8.

Stainless steel version

Indexing pin hardened:
Threaded sleeve 1.4305.
Indexing pin 1.4034.

Indexing pin not hardened:

Threaded sleeve 1.4305.
Indexing pin 1.4305.

Mushroom knob black-grey thermoplastic.

Version:

Steel version:

Indexing pin hardened, ground, black oxidised.

Stainless steel version:

Indexing pin hardened, ground and bright.

Indexing pin not hardened, ground and bright.

Note:

Indexing plungers are used to prevent any change in locking position due to lateral forces. A new locking position can only be set after the pin has been manually disengaged.

A screw-in washer can be supplied to help screw in the indexing plungers. The washer is slid beneath the disengaged mushroom knob so that the carrier pins engage in the slot.

On request:

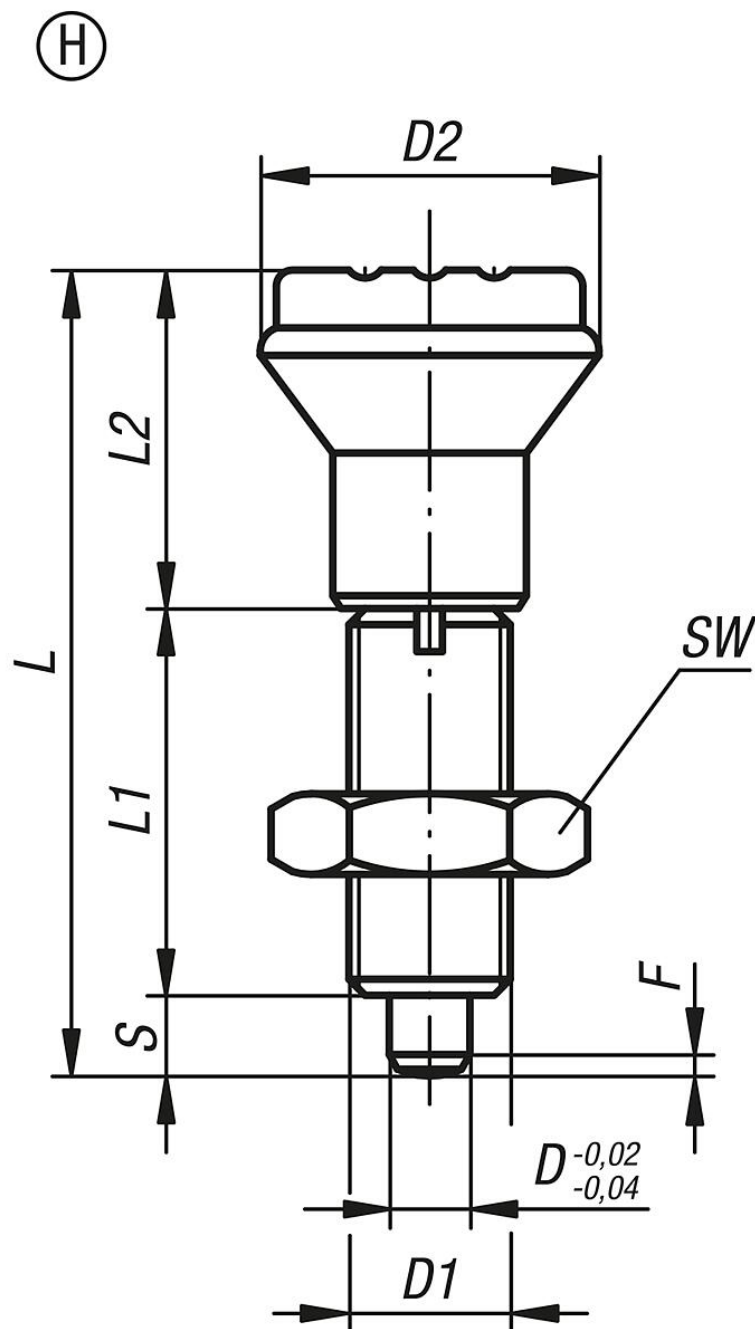
Special versions.

Accessory:

Spacer rings K0665

Indexing plungers, steel or stainless steel, without collar, with plastic mushroom grip and locknut

Drawings



Overview of items

Order No.	Form	Main material	Surface finish body	D	D1	D2	L	L1	L2	Travel S	SW	Fx30°	Spring force initial pressure F1 approx. N	Spring force final pressure F2 approx. N	Order No. screw-in washer
K0344.2105	H	steel	hardened	5	M10x1	21	47	24	18	5	17	1,3	5	12	K0344.91
K0344.2206	H	steel	hardened	6	M12x1,5	25	56	28	22	6	19	1,8	6	14	K0344.92
K0344.2308	H	steel	hardened	8	M16x1,5	33	74	36	30	8	24	2,3	15	35	K0344.93
K0344.2410	H	steel	hardened	10	M20x1,5	33	80	40	30	10	30	2,8	15	34	K0344.94
K0344.02105	H	stainless steel	hardened	5	M10x1	21	47	24	18	5	17	1,3	5	12	K0344.91
K0344.02206	H	stainless steel	hardened	6	M12x1,5	25	56	28	22	6	19	1,8	6	14	K0344.92
K0344.02308	H	stainless steel	hardened	8	M16x1,5	33	74	36	30	8	24	2,3	15	35	K0344.93
K0344.02410	H	stainless steel	hardened	10	M20x1,5	33	80	40	30	10	30	2,8	15	34	K0344.94
K0344.12105	H	stainless steel	not hardened	5	M10x1	21	47	24	18	5	17	1,3	5	12	K0344.91
K0344.12206	H	stainless steel	not hardened	6	M12x1,5	25	56	28	22	6	19	1,8	6	14	K0344.92

Indexing plungers, steel or stainless steel, without collar, with plastic mushroom grip and locknut

Overview of items

Order No.	Form	Main material	Surface finish body	D	D1	D2	L	L1	L2	Travel S	SW	Fx30°	Spring force initial pressure F1 approx. N	Spring force final pressure F2 approx. N	Order No. screw-in washer
K0344.12308	H	stainless steel	not hardened	8	M16x1,5	33	74	36	30	8	24	2,3	15	35	K0344.93
K0344.12410	H	stainless steel	not hardened	10	M20x1,5	33	80	40	30	10	30	2,8	15	34	K0344.94