

Indexing plungers, steel or stainless steel with plastic mushroom grip and extended indexing pin

Item description/product images



Description

Material:

Steel version

Indexing pin hardened:
grade 5.8.

Stainless steel version

Indexing pin hardened:
Threaded sleeve 1.4305.
Indexing pin 1.4034.

Indexing pin not hardened:
Threaded sleeve 1.4305.
Indexing pin 1.4305.

Mushroom knob black-grey thermoplastic.

Version:

Steel version:

Indexing pin hardened, ground, black oxidised.

Stainless steel version:

Indexing pin hardened, ground and bright.

Indexing pin not hardened, ground and bright.

Note:

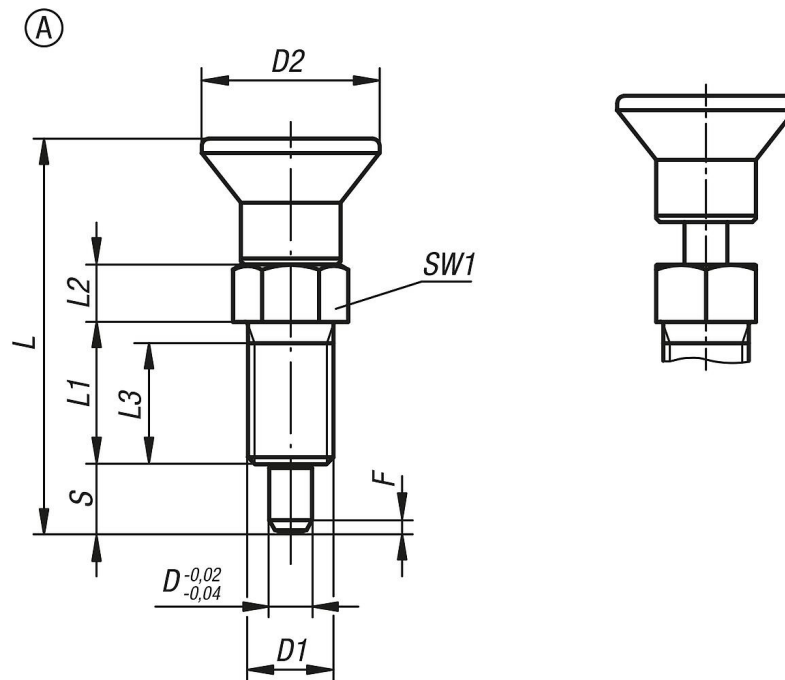
Indexing plungers are used to prevent any change in locking position due to lateral forces. A new locking position can only be set after the pin has been manually disengaged.

On request:

Special versions.

Indexing plungers, steel or stainless steel with plastic mushroom grip and extended indexing pin

Drawings



Overview of items

Order No.	Form	Main material	locating pin	D	D1	D2	L	L1	L2	L3	Travel S	SW1	Fx30°	Spring force initial pressure F1 approx. N	Spring force final pressure F2 approx. N
K0630.21903	A	steel	hardened	3	M6x0,75	14	33	12	5	10	5	8	0,8	4,5	12
K0630.21004	A	steel	hardened	4	M8x1	18	40,5	15	6	13	6	10	1	6	15
K0630.21105	A	steel	hardened	5	M10x1	21	46,5	17	7	15	8	13	1,3	5	16
K0630.21206	A	steel	hardened	6	M12x1,5	25	54,7	20	8	17	9	14	1,8	6	18
K0630.21308	A	steel	hardened	8	M16x1,5	33	72	26	10	23	12	19	2,3	15	45
K0630.21410	A	steel	hardened	10	M20x1,5	33	79	28	12	25	15	22	2,8	15	43
K0630.21412	A	steel	hardened	12	M20x1,5	33	84	28	14	25	18	22	2,8	15	51
K0630.21516	A	steel	hardened	16	M24x2	40	104	32	18	28	24	27	3,2	20	60
K0630.201903	A	stainless steel	hardened	3	M6x0,75	14	33	12	5	10	5	8	0,8	4,5	12
K0630.201004	A	stainless steel	hardened	4	M8x1	18	40,5	15	6	13	6	10	1	6	15
K0630.201105	A	stainless steel	hardened	5	M10x1	21	46,5	17	7	15	8	13	1,3	5	16
K0630.201206	A	stainless steel	hardened	6	M12x1,5	25	54,7	20	8	17	9	14	1,8	6	18
K0630.201308	A	stainless steel	hardened	8	M16x1,5	33	72	26	10	23	12	19	2,3	15	45
K0630.201410	A	stainless steel	hardened	10	M20x1,5	33	79	28	12	25	15	22	2,8	15	43
K0630.201412	A	stainless steel	hardened	12	M20x1,5	33	84	28	14	25	18	22	2,8	15	51
K0630.201516	A	stainless steel	hardened	16	M24x2	40	104	32	18	28	24	27	3,2	20	60
K0630.211903	A	stainless steel	not hardened	3	M6x0,75	14	33	12	5	10	5	8	0,8	4,5	12
K0630.211004	A	stainless steel	not hardened	4	M8x1	18	40,5	15	6	13	6	10	1	6	15
K0630.211105	A	stainless steel	not hardened	5	M10x1	21	46,5	17	7	15	8	13	1,3	5	16
K0630.211206	A	stainless steel	not hardened	6	M12x1,5	25	54,7	20	8	17	9	14	1,8	6	18
K0630.211308	A	stainless steel	not hardened	8	M16x1,5	33	72	26	10	23	12	19	2,3	15	45
K0630.211410	A	stainless steel	not hardened	10	M20x1,5	33	79	28	12	25	15	22	2,8	15	43
K0630.211412	A	stainless steel	not hardened	12	M20x1,5	33	84	28	14	25	18	22	2,8	15	51
K0630.211516	A	stainless steel	not hardened	16	M24x2	40	104	32	18	28	24	27	3,2	20	60