

# Grub screws with hex socket and flat point DIN EN ISO 4026, with thread lock

Item description/product images

KIPPLock

## Description

### Material:

Steel or stainless steel (A 2).

Thread lock nylon.

### Version:

Steel class 45 H, black.

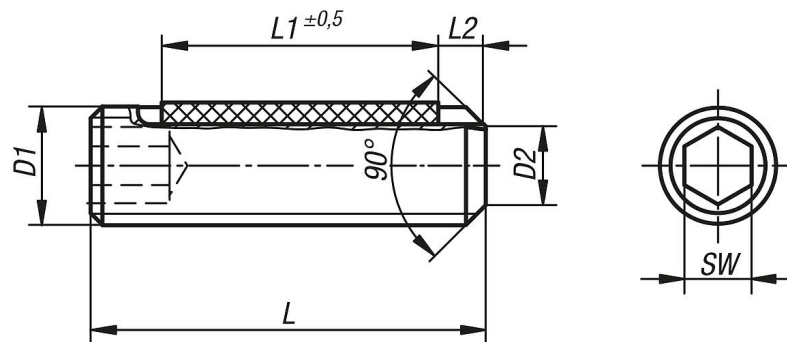
Stainless steel A2-70, bright.

### Drawing reference:

L2 = approx. 2x thread pitch



## Drawings



## Overview of items

### Grub screws with hex socket and flat point, DIN EN ISO 4026, with thread lock

Order No.	Version 2	Main material	L	L1	D1	D2	SW
K0707.203X5	with thread lock	steel	5	2	M3	2	1,5
K0707.203X6	with thread lock	steel	6	3	M3	2	1,5
K0707.203X8	with thread lock	steel	8	4	M3	2	1,5
K0707.203X10	with thread lock	steel	10	4	M3	2	1,5
K0707.203X12	with thread lock	steel	12	4	M3	2	1,5
K0707.204X5	with thread lock	steel	5	2	M4	2,5	2
K0707.204X6	with thread lock	steel	6	2,5	M4	2,5	2
K0707.204X8	with thread lock	steel	8	3,5	M4	2,5	2
K0707.204X10	with thread lock	steel	10	5	M4	2,5	2
K0707.204X12	with thread lock	steel	12	5	M4	2,5	2
K0707.204X16	with thread lock	steel	16	5	M4	2,5	2
K0707.205X5	with thread lock	steel	5	2	M5	3,5	2,5
K0707.205X6	with thread lock	steel	6	3	M5	3,5	2,5
K0707.205X8	with thread lock	steel	8	3,5	M5	3,5	2,5
K0707.205X10	with thread lock	steel	10	3,5	M5	3,5	2,5
K0707.205X12	with thread lock	steel	12	5	M5	3,5	2,5
K0707.205X16	with thread lock	steel	16	6	M5	3,5	2,5
K0707.206X6	with thread lock	steel	6	2,5	M6	4	3

# Grub screws with hex socket and flat point DIN EN ISO 4026, with thread lock

## Overview of items

Order No.	Version 2	Main material	L	L1	D1	D2	SW
K0707.206X8	with thread lock	steel	8	3	M6	4	3
K0707.206X10	with thread lock	steel	10	3,5	M6	4	3
K0707.206X12	with thread lock	steel	12	5	M6	4	3
K0707.206X16	with thread lock	steel	16	7	M6	4	3
K0707.206X20	with thread lock	steel	20	7	M6	4	3
K0707.208X8	with thread lock	steel	8	3	M8	5,5	4
K0707.208X10	with thread lock	steel	10	3,5	M8	5,5	4
K0707.208X12	with thread lock	steel	12	5	M8	5,5	4
K0707.208X16	with thread lock	steel	16	8	M8	5,5	4
K0707.208X20	with thread lock	steel	20	8	M8	5,5	4
K0707.210X10	with thread lock	steel	10	5	M10	7	5
K0707.210X12	with thread lock	steel	12	5	M10	7	5
K0707.210X16	with thread lock	steel	16	9	M10	7	5
K0707.210X20	with thread lock	steel	20	9	M10	7	5
K0707.303X5	with thread lock	stainless steel	5	2	M3	2	1,5
K0707.303X6	with thread lock	stainless steel	6	3	M3	2	1,5
K0707.303X8	with thread lock	stainless steel	8	4	M3	2	1,5
K0707.303X10	with thread lock	stainless steel	10	4	M3	2	1,5
K0707.303X12	with thread lock	stainless steel	12	4	M3	2	1,5
K0707.304X5	with thread lock	stainless steel	5	2	M4	2,5	2
K0707.304X6	with thread lock	stainless steel	6	2,5	M4	2,5	2
K0707.304X8	with thread lock	stainless steel	8	3,5	M4	2,5	2
K0707.304X10	with thread lock	stainless steel	10	5	M4	2,5	2
K0707.304X12	with thread lock	stainless steel	12	5	M4	2,5	2
K0707.304X16	with thread lock	stainless steel	16	5	M4	2,5	2
K0707.305X5	with thread lock	stainless steel	5	2	M5	3,5	2,5
K0707.305X6	with thread lock	stainless steel	6	3	M5	3,5	2,5
K0707.305X8	with thread lock	stainless steel	8	3,5	M5	3,5	2,5
K0707.305X10	with thread lock	stainless steel	10	3,5	M5	3,5	2,5
K0707.305X12	with thread lock	stainless steel	12	5	M5	3,5	2,5
K0707.305X16	with thread lock	stainless steel	16	6	M5	3,5	2,5
K0707.306X6	with thread lock	stainless steel	6	2,5	M6	4	3
K0707.306X8	with thread lock	stainless steel	8	3	M6	4	3
K0707.306X10	with thread lock	stainless steel	10	3,5	M6	4	3
K0707.306X12	with thread lock	stainless steel	12	5	M6	4	3
K0707.306X16	with thread lock	stainless steel	16	7	M6	4	3
K0707.308X8	with thread lock	stainless steel	8	3	M8	5,5	4
K0707.306X20	with thread lock	stainless steel	20	7	M6	4	3
K0707.308X10	with thread lock	stainless steel	10	3,5	M8	5,5	4
K0707.308X12	with thread lock	stainless steel	12	5	M8	5,5	4
K0707.308X16	with thread lock	stainless steel	16	8	M8	5,5	4
K0707.308X20	with thread lock	stainless steel	20	8	M8	5,5	4
K0707.310X10	with thread lock	stainless steel	10	5	M10	7	5
K0707.310X12	with thread lock	stainless steel	12	5	M10	7	5
K0707.310X16	with thread lock	stainless steel	16	9	M10	7	5
K0707.310X20	with thread lock	stainless steel	20	9	M10	7	5