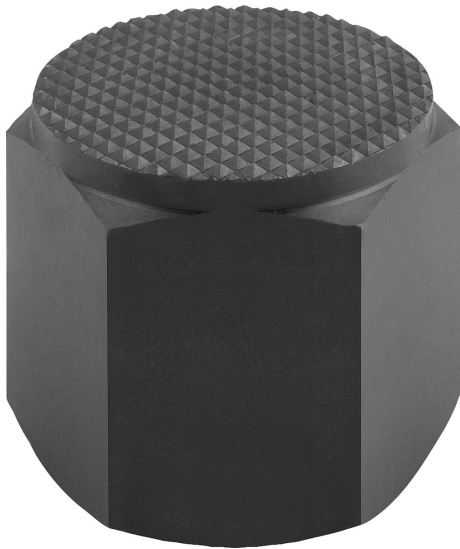


Positioning feet with internal thread and serrated face, Form F

Item description/product images



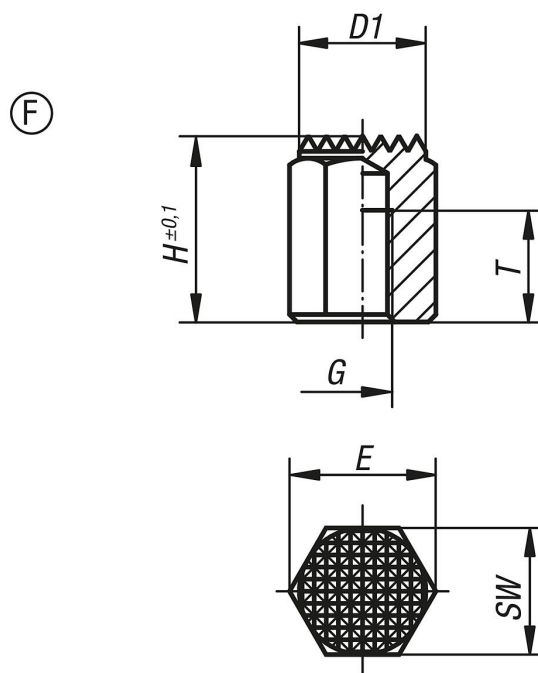
Description

Material:
Steel.

Version:
Case-hardened and black oxidised.

Note:
Positioning feet are used as supports, stops and thrust pads for fixtures and general machine and appliance construction.

Drawings



Overview of items

Order No.	Form	D1	G	H	T	E	SW
K0298.610	F	13	M6	10	6	14,4	13
K0298.6151	F	13	M6	15	10	14,4	13
K0298.6101	F	17	M8	10	6	19,4	17
K0298.615	F	17	M8	15	6	19,4	17
K0298.6251	F	17	M8	25	16	19,4	17
K0298.6201	F	19	M10	20	10	21,9	19
K0298.6302	F	19	M10	30	15	21,9	19
K0298.6401	F	19	M10	40	15	21,9	19
K0298.620	F	22	M12	20	10	25,2	22
K0298.625	F	22	M12	25	15	25,2	22

Positioning feet with internal thread and serrated face, Form F

Overview of items

Order No.	Form	D1	G	H	T	E	SW
K0298.630	F	22	M12	30	20	25,2	22
K0298.640	F	22	M12	40	25	25,2	22
K0298.650	F	22	M12	50	25	25,2	22
K0298.6301	F	30	M16	30	20	33	30
K0298.6501	F	30	M16	50	25	33	30