

Self-aligning pads, adjustable, with O-ring, exchangeable inserts, hexagon socket, Form C, flattened steel insert smooth

Item description/product images



Description

Material:

Body carbon steel.

Ball rust and acid resistant steel.

Insert:

Form C tool steel.

Version:

Body tempered and black oxidised.

Ball hardened, bright.

Insert:

Form C hardened and black oxidised.

Note:

Self-aligning pads are used to support and clamp unmachined and machined workpieces.

They can also be used as stops, supports and thrust pads in fixtures and toolmaking.

The ball can be removed from the housing by applying light pressure to the socket head screw.

Ball secured against rotation.

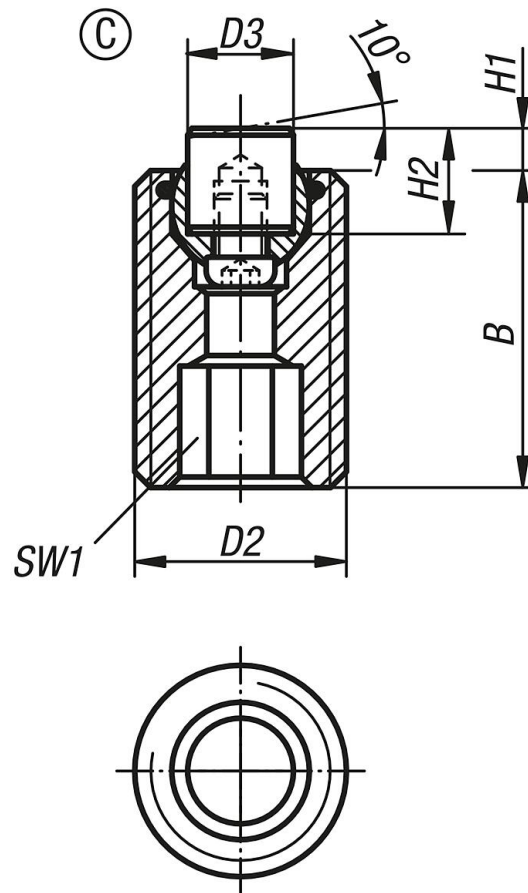
Advantages:

Highly cost-effective as inserts can be exchanged.

The built-in O-ring holds the ball in place and keeps dirt and foreign particles out, ensuring uniform movement.

Self-aligning pads, adjustable, with O-ring, exchangeable inserts, hexagon socket, Form C, flattened steel insert smooth

Drawings



Overview of items

Self-aligning pads adjustable with O-ring, exchangeable inserts and hexagon socket

Order No.	Form	B	D2	D3	H1	H2	SW1	Ball-Ø	Load rating max. kN (static load only)	Order No. steel insert
K0291.120X030	C	30	M20	10	4	10	10	13	37	K0385.10108
K0291.120X050	C	50	M20	10	4	10	10	13	37	K0385.10108
K0291.120X070	C	70	M20	10	4	10	10	13	37	K0385.10108
K0291.124X040	C	40	M24	12	4	10	10	15	55	K0385.12108
K0291.124X080	C	80	M24	12	4	10	10	15	55	K0385.12108