

# Self-aligning pads, Form G, press fit, flattened ball, smooth face

## Item description/product images



### Description

#### Material:

Body carbon steel, ball ball-bearing steel 1.2067.

#### Version:

Body tempered and phosphated.

Ball hardened.

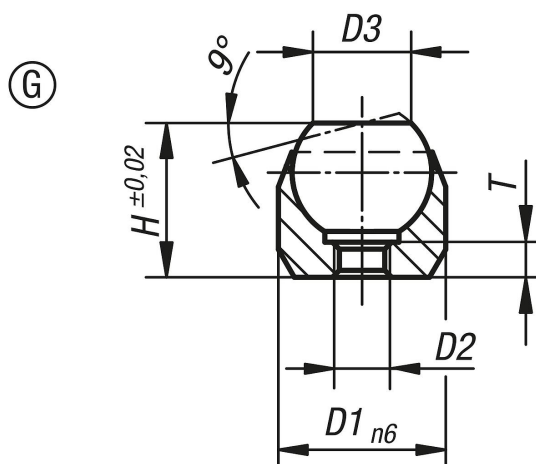
#### Note:

Self-aligning pads serve as stops, supports and thrust pads in fixture constructions.

Ball secured against rotation.

\* Valid only if the minimum bore depth is observed.

## Drawings



## Overview of items

Order No.	Form	D1	D2	D3	H	T	Ball-Ø	Receiving hole	Load rating max. kN (static load only)
K0282.403	G	12	M3	7,2	11	3,5	10	Ø 12 H7X6 min.	10*
K0282.404	G	18	M4	10,5	17	4,4	16	Ø 18 H7X8 min.	25*
K0282.405	G	28	M5	20	25	6,3	25	Ø 28 H7X13 min.	90*