

Tubular handles, aluminium with aluminium grip legs, oblique, Form A

Item description/product images



Description

Material:

Legs and grip aluminium profile EN AW-6060.
Connecting pins stainless steel.

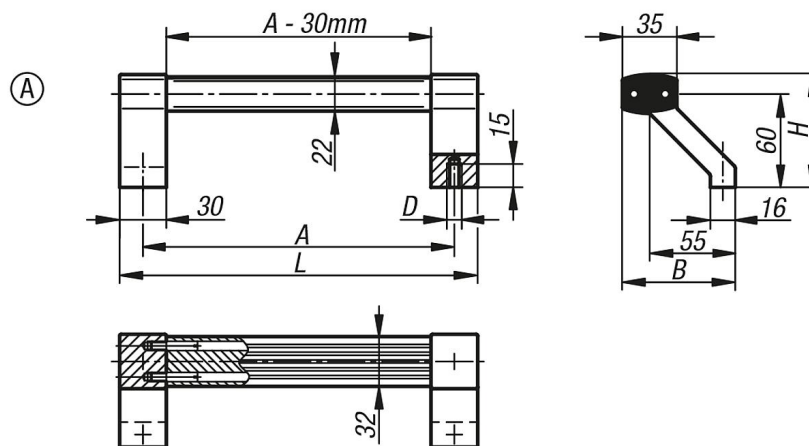
Version:

Legs glass-bead blasted and semi-matt black anodised.
Grip brushed and natural colour anodised, black anodised or titanium colour powder-coated.

Note:

These tubular handles are characterised by robust construction and high load rating. M8x16 hexagon head DIN 933 electro zinc-plated screws and DIN EN ISO 7089 electro zinc-plated washers are included.

Drawings



Overview of items

Order No.	Form	Main colour	A	B	D	H	L	Load capacity N
K0131.2000811	A	black anodised	200	72,5	M8	72,5	230	1000
K0131.2000812	A	titanium tone powder coated	200	72,5	M8	72,5	230	1000
K0131.2000813	A	natural anodized	200	72,5	M8	72,5	230	1000
K0131.3000811	A	black anodised	300	72,5	M8	72,5	330	1000
K0131.3000812	A	titanium tone powder coated	300	72,5	M8	72,5	330	1000
K0131.3000813	A	natural anodized	300	72,5	M8	72,5	330	1000
K0131.4000811	A	black anodised	400	72,5	M8	72,5	430	1000
K0131.4000812	A	titanium tone powder coated	400	72,5	M8	72,5	430	1000
K0131.4000813	A	natural anodized	400	72,5	M8	72,5	430	1000
K0131.5000811	A	black anodised	500	72,5	M8	72,5	530	1000
K0131.5000812	A	titanium tone powder coated	500	72,5	M8	72,5	530	1000
K0131.5000813	A	natural anodized	500	72,5	M8	72,5	530	1000

