

# Ledge handles, aluminium, mounted from the rear

## Item description/product images



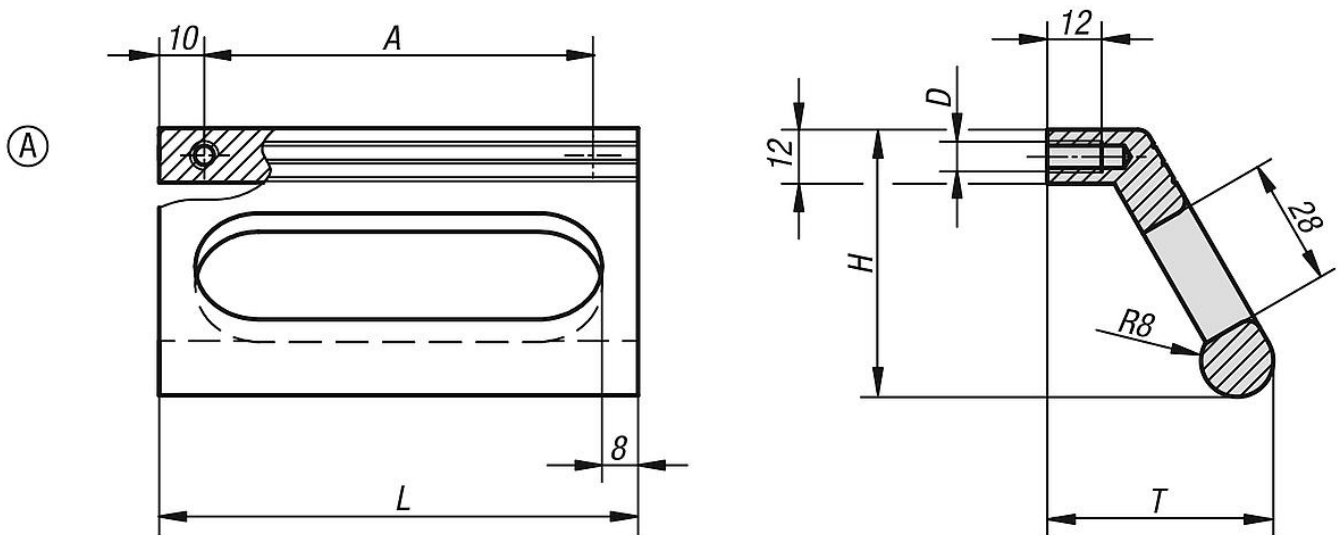
### Description

**Material:**  
Profile aluminium EN AW-6060

**Version:**  
Matt-gloss anodised.

**Note:**  
These ledge handles are available with M6 internal thread or with through hole for M5 countersunk screws for front mounting.

## Drawings



## Overview of items

### Angled Profile Handles

Order No.	Form	Main colour	A	D	H	L	T	Load capacity N
K0234.086061	A	black anodised	86	M6	59	106	50	500
K0234.100061	A	black anodised	100	M6	59	120	50	500
K0234.120061	A	black anodised	120	M6	59	140	50	500
K0234.086063	A	natural anodised	86	M6	59	106	50	500
K0234.100063	A	natural anodised	100	M6	59	120	50	500
K0234.120063	A	natural anodised	120	M6	59	140	50	500