

Clamping levers, plastic, ergonomic, with internal thread, threaded insert stainless steel

Item description/product images



lift to
disengage



Description

Material:

Handle:

Hard components reinforced plastic, toothed ring die-cast zinc.
Soft components thermoplastic elastomer.

Steel parts:

Stainless steel, 1.4305.

Version:

Steel parts bright.

Note:

The colour combinations
graphite black RAL 9011 (hard components) and
black grey RAL 7021 (soft components)
are supplied as standard.

The soft components ensure a non-slip grip of the operating part. The closed design offers sufficient protection against dirt. The design was especially developed for ergonomic gripping requirements.

The push button improves disengagement and allows the handle to be easily used.

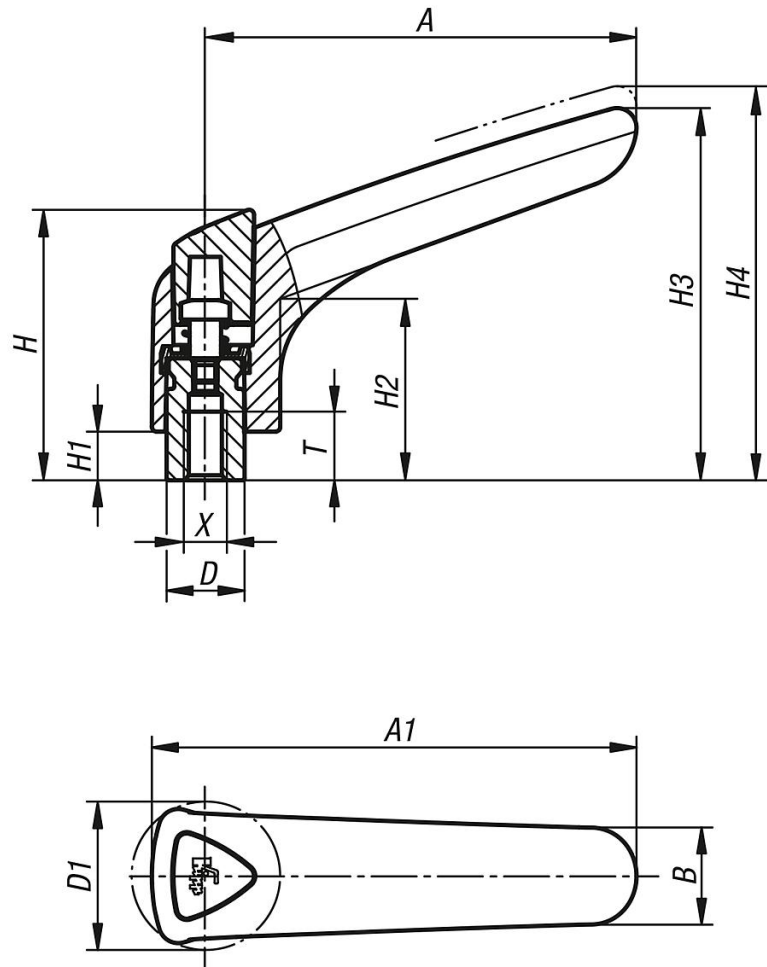
On request:

Other female threads, colours and special versions.

Dimension "H1" available in other lengths at extra charge.

Clamping levers, plastic, ergonomic, with internal thread, threaded insert stainless steel

Drawings



Overview of items

Order No.	X	T	D	D1	H	H1	H2	H3	H4	A	A1	B	No. of teeth
K0982.3081	M8	14	16	30,5	55,6	10	37,3	76,5	81	88,5	99,5	20	22
K0982.3101	M10	14	16	30,5	55,6	10	37,3	76,5	81	88,5	99,5	20	22