

Pull handles stainless steel, oval

Item description/product images



Description

Material:

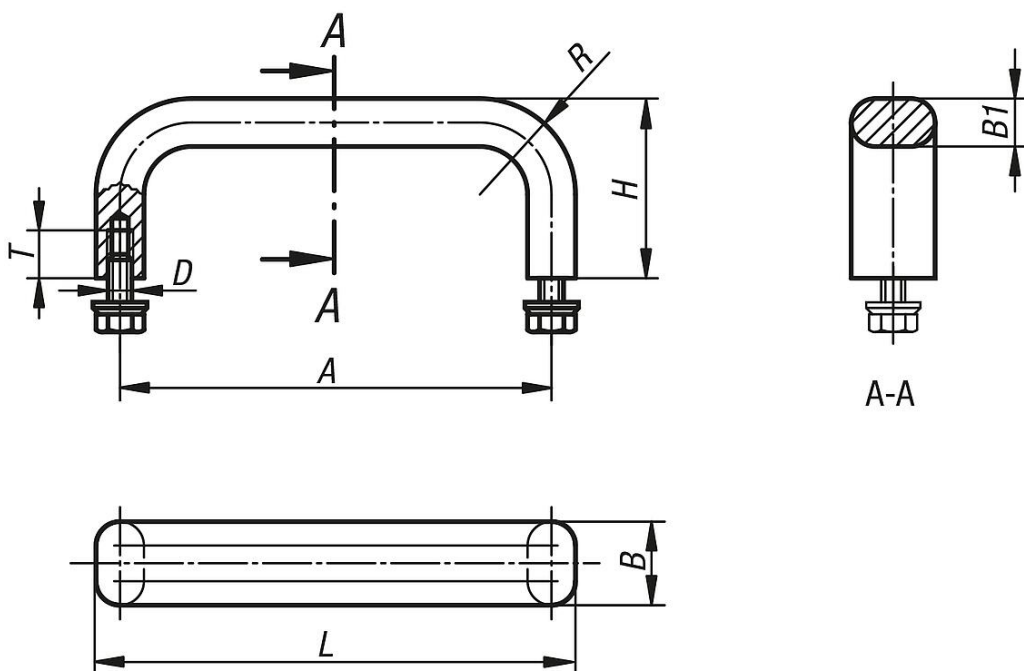
Handle stainless steel 1.4404.

Fastening material 1.4301.

Version:

Vibratory ground semi-gloss finish.

Drawings



Overview of items

Pull handles stainless steel

| Order No. | A | B | B1 | D | H | L | R | T | Load capacity N |
|-------------|-----|------|----|-------|----|-----|----|----|-----------------|
| K0208.10005 | 100 | 12 | 8 | M5x10 | 40 | 108 | 22 | 10 | 1000 |
| K0208.12005 | 120 | 12 | 8 | M5x10 | 40 | 128 | 22 | 10 | 1000 |
| K0208.15005 | 150 | 12 | 8 | M5x10 | 40 | 158 | 22 | 10 | 1000 |
| K0208.18005 | 180 | 12 | 8 | M5x10 | 40 | 188 | 22 | 10 | 1000 |
| K0208.25005 | 250 | 12 | 8 | M5x10 | 40 | 258 | 22 | 10 | 1000 |
| K0208.10006 | 100 | 19,5 | 10 | M6x12 | 45 | 110 | 24 | 12 | 1000 |
| K0208.12006 | 120 | 19,5 | 10 | M6x12 | 45 | 130 | 24 | 12 | 1000 |
| K0208.15006 | 150 | 19,5 | 10 | M6x12 | 45 | 160 | 24 | 12 | 1000 |
| K0208.18006 | 180 | 19,5 | 10 | M6x12 | 45 | 190 | 24 | 12 | 1000 |
| K0208.25006 | 250 | 19,5 | 10 | M6x12 | 45 | 260 | 24 | 12 | 1000 |

