

Pull handles, plastic, slanted both sides, with soft inner face

Item description/product images



Description

Material:

Hard components glass-bead reinforced thermoplastic.
Soft components SEBS

Version:

Hard component matt black, soft component basalt grey.

Note:

Heavy-duty polyamide handle. Excellent carrying and gripping comfort thanks to its soft inner surface.

Black electro zinc-plated cap screws, nuts and washers are supplied.

For wet areas, the fastening material is supplied in stainless steel (1.4301).

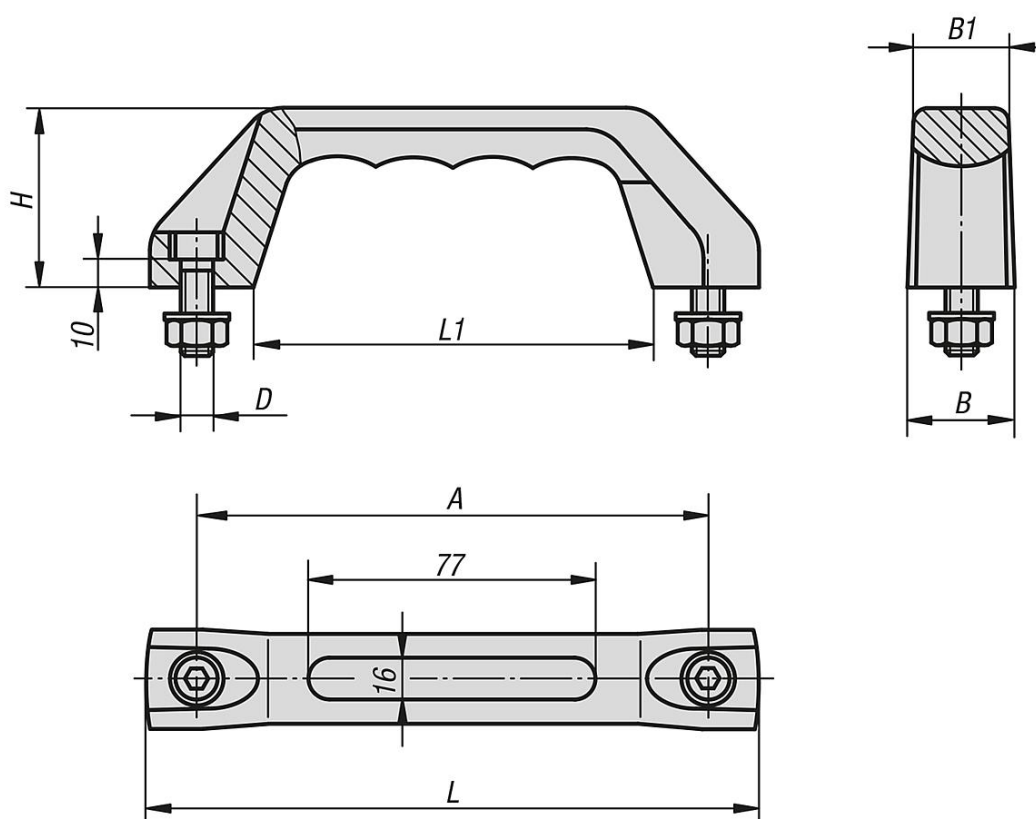
Assembly:

From the front.

On request:

With individual caption, embossed or raised on the soft material. Hard and soft components are available in all RAL colours.

Drawings



Overview of items

Pull handles, plastic, slanted both sides, with soft inner face

Overview of items

Pull handles with soft inner face

Order No.	Version 2	A	B	B1	D	L	L1	H	Load capacity N
K0171.515008	standard	150	29	25,5	M8x25	178	118	53	500
K0171.615008	wet area	150	29	25,5	M8x25	178	118	53	500