

Clamping levers, plastic, non-adjustable with external thread, threaded pin blue passivated steel

Item description/product images



Description

Material:

Handle fibreglass reinforced plastic.

Steel parts grade 5.8.

Version:

Handle black grey, steel parts blue-passivated.

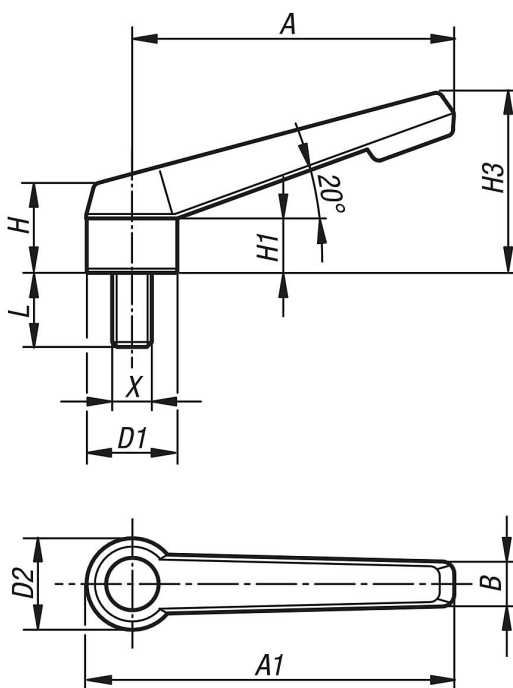
Note:

Non-adjustable clamping levers can be used for simple applications. Generally, there must be enough space so that the lever can be rotated through 360°.

On request:

Special versions.

Drawings



Overview of items

Order No.	Thread type	Size	X	D1	D2	H	H1	H3	A	A1	B	L
K0175.105X20	male thread	1	M5	13,8	14	17	11	27	40	47	8	20
K0175.106X20	male thread	1	M6	13,8	14	17	11	27	40	47	8	20
K0175.208X15	male thread	2	M8	18,3	18,5	18	11	36,5	65	75	9	15
K0175.208X20	male thread	2	M8	18,3	18,5	18	11	36,5	65	75	9	20
K0175.208X30	male thread	2	M8	18,3	18,5	18	11	36,5	65	75	9	30
K0175.310X30	male thread	3	M10	21,8	22	22	14	45	80	91	11	30
K0175.412X30	male thread	4	M12	25,8	26	26	17	54	95	108	13	30
K0175.516X40	male thread	5	M16	30,8	31	31	21	63	110	126	16	40

**Clamping levers, plastic, non-adjustable with external thread, threaded
pin blue passivated steel**

Overview of items
