

# Star grips similar to DIN 6336, stainless steel, Form B, drilled through

## Item description/product images



## Description

### Material:

Stainless steel 1.4308.

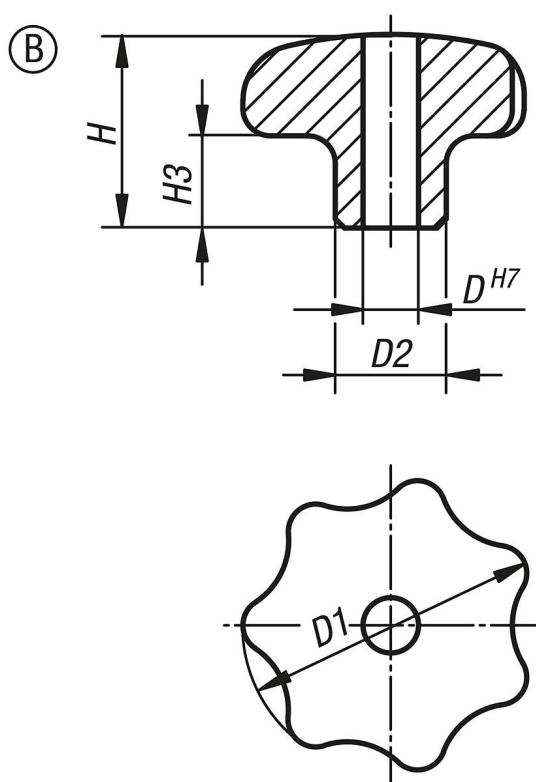
### Version:

Ground and polished or blasted.

### On request:

With external thread.

## Drawings



## Overview of items

### Star Grips in stainless steel, similar to DIN 6336

Order No.	Form	Surface finish body	D	D1	D2	H	H3
K0150.232062	B	polished	6	32	12	21	10
K0150.240082	B	polished	8	40	14	26	13
K0150.250102	B	polished	10	50	18	34	17
K0150.263122	B	polished	12	63	20	42	21
K0150.232063	B	blasted	6	32	12	21	10
K0150.240083	B	blasted	8	40	14	26	13
K0150.250103	B	blasted	10	50	18	34	17
K0150.263123	B	blasted	12	63	20	42	21

