

# Knurled nuts steel and stainless steel, DIN 6303

## Item description/product images



### Description

#### Material:

Steel 1.0718.

Stainless steel 1.4305.

#### Version:

Steel, black oxidised.

Stainless steel, bright.

#### Note:

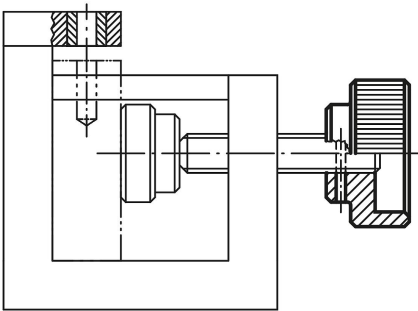
Due to the better haptics, a larger pitch was chosen contrary to DIN.

#### Drawing reference:

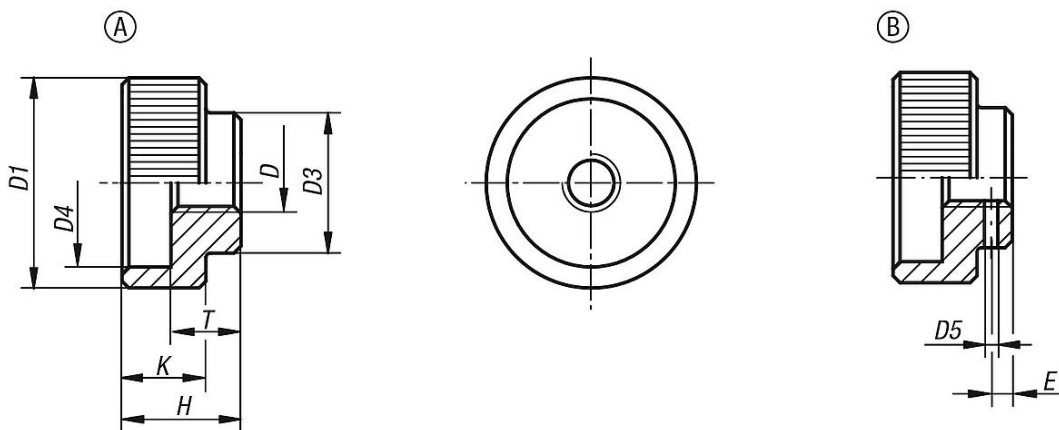
Form A: without pin hole

Form B: with pin hole

- Drill through and ream pin hole during assembly.



## Drawings



## Overview of items

### Knurled nuts, steel and stainless steel, DIN 6303

Order No.	Form	Main material	D	D1	D3	D4	D5 predrilled	E	H	K	T	suitable dowel pin ISO 2338
K0137.105	A	steel	M5	20	14	15	-	-	12	8	7	-
K0137.106	A	steel	M6	24	16	18	-	-	14	10	8	-
K0137.108	A	steel	M8	30	20	24	-	-	17	12	10	-
K0137.110	A	steel	M10	36	28	30	-	-	20	14	12	-
K0137.112	A	steel	M12	40	32	34	-	-	24	16	14	-
K0137.1052	A	stainless steel	M5	20	14	15	-	-	12	8	7	-
K0137.1062	A	stainless steel	M6	24	16	18	-	-	14	10	8	-

## Knurled nuts steel and stainless steel, DIN 6303

### Overview of items

Order No.	Form	Main material	D	D1	D3	D4	D5 predrilled	E	H	K	T	suitable dowel pin ISO 2338
<b>K0137.1082</b>	A	stainless steel	M8	30	20	24	-	-	17	12	10	-
<b>K0137.1102</b>	A	stainless steel	M10	36	28	30	-	-	20	14	12	-
<b>K0137.1122</b>	A	stainless steel	M12	40	32	34	-	-	24	16	14	-
<b>K0137.205</b>	B	steel	M5	20	14	15	1,4	2,5	12	8	7	1,5
<b>K0137.206</b>	B	steel	M6	24	16	18	1,4	2,5	14	10	8	1,5
<b>K0137.208</b>	B	steel	M8	30	20	24	1,9	3	17	12	10	2
<b>K0137.210</b>	B	steel	M10	36	28	30	2,9	4	20	14	12	3
<b>K0137.212</b>	B	steel	M12	40	32	34	3,9	4	24	16	14	4