

Five lobe grips ergonomic with external thread

Item description/product images



Description

Material:

Hard components fibreglass reinforced plastic.

Soft components thermoplastic elastomer.

Screws steel grade 5.8 or stainless steel 1.4305.

Version:

Steel trivalent blue passivated.

Stainless steel, bright.

Note:

The colour combination

black grey RAL 7021 (hard components) and

black grey RAL 7021 (soft components)

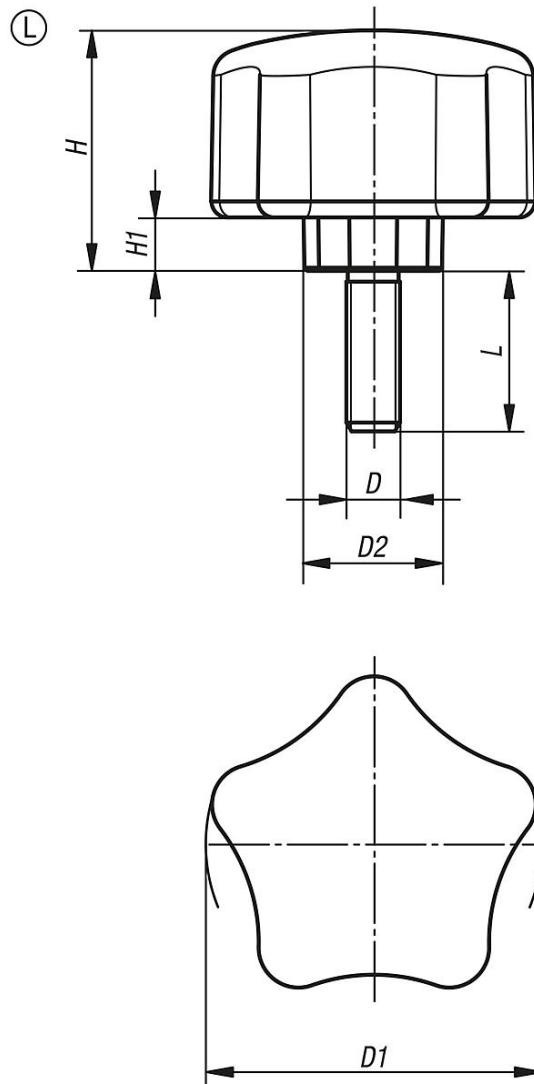
are supplied as standard.

On request:

Other versions.

Five lobe grips ergonomic with external thread

Drawings



Overview of items

Order No.	Form	Component material	D	D1	D2	H	H1	L
K0786.6308X20	L	steel	M8	63	26	45	10	20
K0786.6308X25	L	steel	M8	63	26	45	10	25
K0786.6308X30	L	steel	M8	63	26	45	10	30
K0786.6308X40	L	steel	M8	63	26	45	10	40
K0786.6310X30	L	steel	M10	63	26	45	10	30
K0786.6310X40	L	steel	M10	63	26	45	10	40
K0786.6310X50	L	steel	M10	63	26	45	10	50
K0786.06308X20	L	stainless steel	M8	63	26	45	10	20
K0786.06308X25	L	stainless steel	M8	63	26	45	10	25
K0786.06308X30	L	stainless steel	M8	63	26	45	10	30
K0786.06308X40	L	stainless steel	M8	63	26	45	10	40
K0786.06310X30	L	stainless steel	M10	63	26	45	10	30
K0786.06310X40	L	stainless steel	M10	63	26	45	10	40
K0786.06310X50	L	stainless steel	M10	63	26	45	10	50

Five lobe grips ergonomic with external thread

Overview of items
