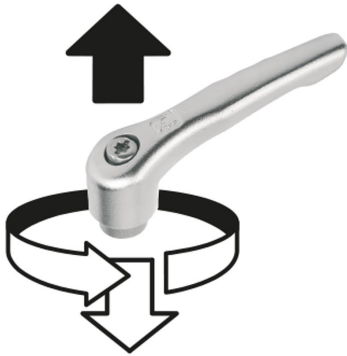


Clamping levers, stainless steel with internal thread, threaded insert stainless steel

Item description/product images



lift to
disengage



Description

Material:

Handle investment cast 1.4308.

Other steel parts 1.4305.

Version:

Handle electropolished or blasted.

Metal parts bright.

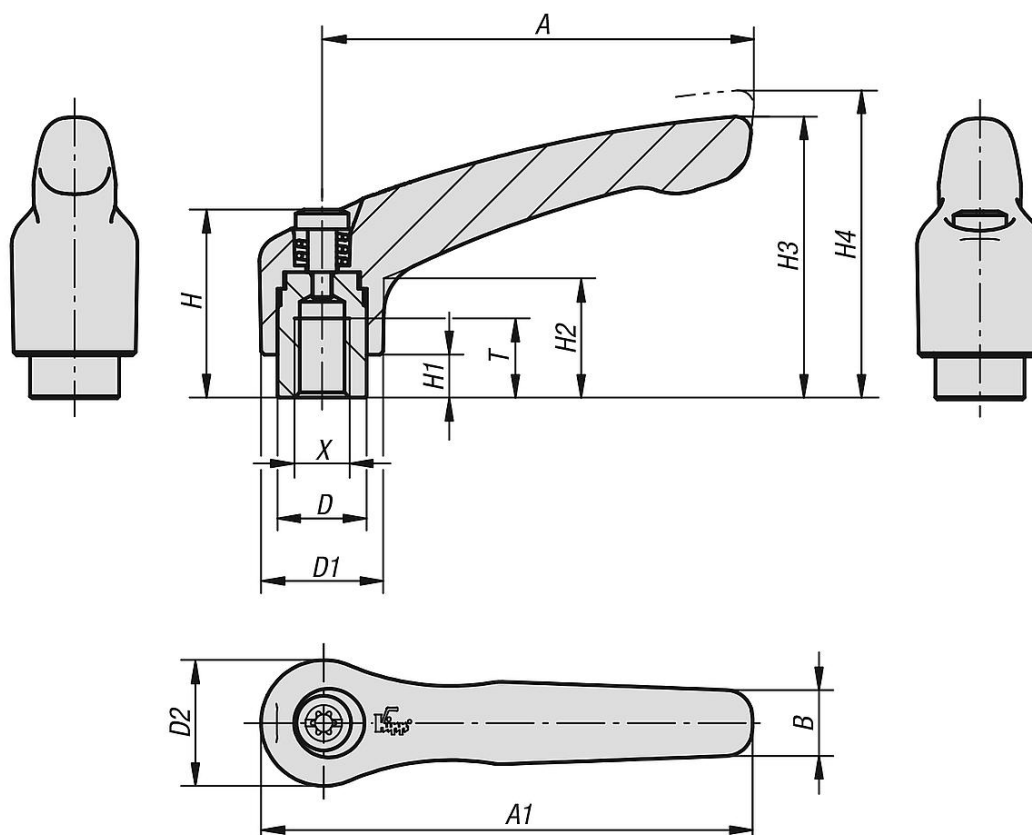
On request:

Other threads and special versions.

Dimension "H1" available in other lengths at extra charge.

Clamping levers, stainless steel with internal thread, threaded insert stainless steel

Drawings



Overview of items

Clamping levers with internal thread, stainless steel

Order No.	Main colour	Size	X	A	A1	B	D	D1	D2	H	H1	H2	H3	H4	T	No. of teeth
K0124.104	electropolished	1	M4	40	47	7	10	13	14	24,5	4	14,5	31	34	9	16
K0124.105	electropolished	1	M5	40	47	7	10	13	14	24,5	4	14,5	31	34	9	16
K0124.106	electropolished	1	M6	40	47	7	10	13	14	24,5	4	14,5	31	34	9	16
K0124.206	electropolished	2	M6	65	74,5	10	13,5	18,5	19	28,5	6,5	17,5	42,5	45,5	12	20
K0124.208	electropolished	2	M8	65	74,5	10	13,5	18,5	19	28,5	6,5	17,5	42,5	45,5	12	20
K0124.308	electropolished	3	M8	80	91	11	16	21	22	37	10	24	54,5	58,5	14	22
K0124.310	electropolished	3	M10	80	91	11	16	21	22	37	10	24	54,5	58,5	14	22
K0124.410	electropolished	4	M10	95	109	13	19	27	27,5	43	10	27	63	67,5	17	24
K0124.412	electropolished	4	M12	95	109	13	19	27	27,5	43	10	27	63	67,5	17	24
K0124.512	electropolished	5	M12	110	126	15	23	31	32	49	12	31,5	73	77,5	23	26
K0124.516	electropolished	5	M16	110	126	15	23	31	32	49	12	31,5	73	77,5	23	26
K0124.104153	blasted	1	M4	40	47	7	10	13	14	24,5	4	14,5	31	34	9	16
K0124.105153	blasted	1	M5	40	47	7	10	13	14	24,5	4	14,5	31	34	9	16
K0124.106153	blasted	1	M6	40	47	7	10	13	14	24,5	4	14,5	31	34	9	16
K0124.206153	blasted	2	M6	65	74,5	10	13,5	18,5	19	28,5	6,5	17,5	42,5	45,5	12	20
K0124.208153	blasted	2	M8	65	74,5	10	13,5	18,5	19	28,5	6,5	17,5	42,5	45,5	12	20
K0124.308153	blasted	3	M8	80	91	11	16	21	22	37	10	24	54,5	58,5	14	22
K0124.310153	blasted	3	M10	80	91	11	16	21	22	37	10	24	54,5	58,5	14	22
K0124.410153	blasted	4	M10	95	109	13	19	27	27,5	43	10	27	63	67,5	17	24
K0124.412153	blasted	4	M12	95	109	13	19	27	27,5	43	10	27	63	67,5	17	24
K0124.512153	blasted	5	M12	110	126	15	23	31	32	49	12	31,5	73	77,5	23	26
K0124.516153	blasted	5	M16	110	126	15	23	31	32	49	12	31,5	73	77,5	23	26

**Clamping levers, stainless steel with internal thread, threaded insert
stainless steel**

Overview of items
