

## Clamping levers, die-cast zinc with internal thread, threaded insert stainless steel

Item description/product images



### Description

**Material:**

Handle die-cast zinc DIN EN 12844.

Steel parts stainless steel 1.4305.

**Version:**

Handle, powder-coated.

Steel parts bright.

**Note:**

Standard colours are:

orange RAL 2004, ruby red RAL 3003, silver metallic.

**On request:**

Other threads, colours and special versions.

Dimension "H1" available in other lengths at extra charge.

**Clamping levers, die-cast zinc with internal thread, threaded insert stainless steel**

Item description/product images

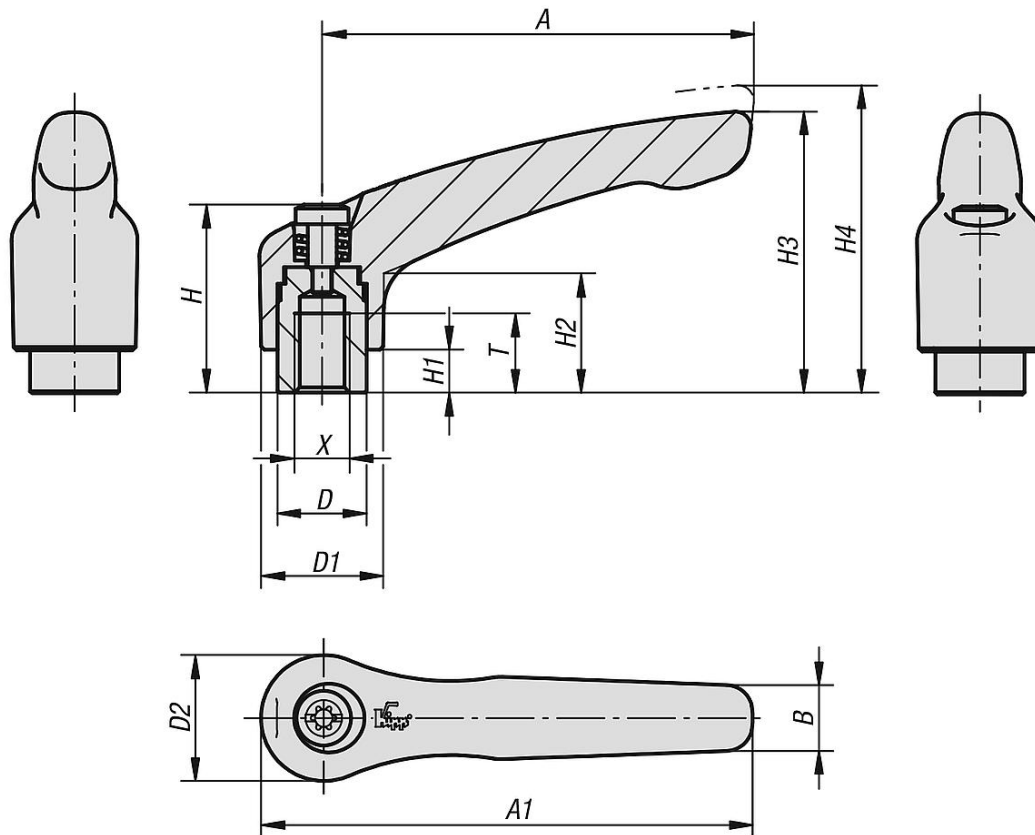


lift to  
disengage



# Clamping levers, die-cast zinc with internal thread, threaded insert stainless steel

Drawings



## Overview of items

### Clamping levers with female thread, steel parts stainless steel

Order No.	Main colour	Main material	Size	X	T	D	D1	D2	H	H1	H2	H3	H4	A	A1	B	No. of teeth
K0123.0032	orange RAL 2004	zinc	0	M3	9	10	13	14	24,5	4	14,5	30	33	30	37	7	16
K0123.00327	ruby red RAL3003	zinc	0	M3	9	10	13	14	24,5	4	14,5	30	33	30	37	7	16
K0123.0033	silver metallic	zinc	0	M3	9	10	13	14	24,5	4	14,5	30	33	30	37	7	16
K0123.0042	orange RAL 2004	zinc	0	M4	9	10	13	14	24,5	4	14,5	30	33	30	37	7	16
K0123.00427	ruby red RAL3003	zinc	0	M4	9	10	13	14	24,5	4	14,5	30	33	30	37	7	16
K0123.0043	silver metallic	zinc	0	M4	9	10	13	14	24,5	4	14,5	30	33	30	37	7	16
K0123.0052	orange RAL 2004	zinc	0	M5	9	10	13	14	24,5	4	14,5	30	33	30	37	7	16
K0123.00527	ruby red RAL3003	zinc	0	M5	9	10	13	14	24,5	4	14,5	30	33	30	37	7	16
K0123.0053	silver metallic	zinc	0	M5	9	10	13	14	24,5	4	14,5	30	33	30	37	7	16
K0123.1042	orange RAL 2004	zinc	1	M4	9	10	13	14	24,5	4	14,5	31	34	40	47	7	16
K0123.10427	ruby red RAL3003	zinc	1	M4	9	10	13	14	24,5	4	14,5	31	34	40	47	7	16
K0123.1043	silver metallic	zinc	1	M4	9	10	13	14	24,5	4	14,5	31	34	40	47	7	16
K0123.1052	orange RAL 2004	zinc	1	M5	9	10	13	14	24,5	4	14,5	31	34	40	47	7	16
K0123.10527	ruby red RAL3003	zinc	1	M5	9	10	13	14	24,5	4	14,5	31	34	40	47	7	16
K0123.1053	silver metallic	zinc	1	M5	9	10	13	14	24,5	4	14,5	31	34	40	47	7	16
K0123.1062	orange RAL 2004	zinc	1	M6	9	10	13	14	24,5	4	14,5	31	34	40	47	7	16
K0123.10627	ruby red RAL3003	zinc	1	M6	9	10	13	14	24,5	4	14,5	31	34	40	47	7	16
K0123.1063	silver metallic	zinc	1	M6	9	10	13	14	24,5	4	14,5	31	34	40	47	7	16
K0123.2062	orange RAL 2004	zinc	2	M6	12	13,5	18,5	19	28,5	6,5	17,5	42,5	45,5	65	74,5	9,5	20
K0123.20627	ruby red RAL3003	zinc	2	M6	12	13,5	18,5	19	28,5	6,5	17,5	42,5	45,5	65	74,5	9,5	20
K0123.2063	silver metallic	zinc	2	M6	12	13,5	18,5	19	28,5	6,5	17,5	42,5	45,5	65	74,5	9,5	20
K0123.2082	orange RAL 2004	zinc	2	M8	12	13,5	18,5	19	28,5	6,5	17,5	42,5	45,5	65	74,5	9,5	20
K0123.20827	ruby red RAL3003	zinc	2	M8	12	13,5	18,5	19	28,5	6,5	17,5	42,5	45,5	65	74,5	9,5	20
K0123.2083	silver metallic	zinc	2	M8	12	13,5	18,5	19	28,5	6,5	17,5	42,5	45,5	65	74,5	9,5	20

# Clamping levers, die-cast zinc with internal thread, threaded insert stainless steel

## Overview of items

Order No.	Main colour	Main material	Size	X	T	D	D1	D2	H	H1	H2	H3	H4	A	A1	B	No. of teeth
K0123.3082	orange RAL 2004	zinc	3	M8	14	16	21	22	37	10	24	54,5	58,5	80	91	11	22
K0123.30827	ruby red RAL3003	zinc	3	M8	14	16	21	22	37	10	24	54,5	58,5	80	91	11	22
K0123.3083	silver metallic	zinc	3	M8	14	16	21	22	37	10	24	54,5	58,5	80	91	11	22
K0123.3102	orange RAL 2004	zinc	3	M10	14	16	21	22	37	10	24	54,5	58,5	80	91	11	22
K0123.31027	ruby red RAL3003	zinc	3	M10	14	16	21	22	37	10	24	54,5	58,5	80	91	11	22
K0123.3103	silver metallic	zinc	3	M10	14	16	21	22	37	10	24	54,5	58,5	80	91	11	22
K0123.4102	orange RAL 2004	zinc	4	M10	17	19	27	27,5	43	10	27	63	67,5	95	109	13	24
K0123.41027	ruby red RAL3003	zinc	4	M10	17	19	27	27,5	43	10	27	63	67,5	95	109	13	24
K0123.4103	silver metallic	zinc	4	M10	17	19	27	27,5	43	10	27	63	67,5	95	109	13	24
K0123.4122	orange RAL 2004	zinc	4	M12	17	19	27	27,5	43	10	27	63	67,5	95	109	13	24
K0123.41227	ruby red RAL3003	zinc	4	M12	17	19	27	27,5	43	10	27	63	67,5	95	109	13	24
K0123.4123	silver metallic	zinc	4	M12	17	19	27	27,5	43	10	27	63	67,5	95	109	13	24
K0123.5122	orange RAL 2004	zinc	5	M12	23	23	31	32	49	12	31,5	73	77,5	110	126	15	26
K0123.51227	ruby red RAL3003	zinc	5	M12	23	23	31	32	49	12	31,5	73	77,5	110	126	15	26
K0123.5123	silver metallic	zinc	5	M12	23	23	31	32	49	12	31,5	73	77,5	110	126	15	26
K0123.5162	orange RAL 2004	zinc	5	M16	23	23	31	32	49	12	31,5	73	77,5	110	126	15	26
K0123.51627	ruby red RAL3003	zinc	5	M16	23	23	31	32	49	12	31,5	73	77,5	110	126	15	26
K0123.5163	silver metallic	zinc	5	M16	23	23	31	32	49	12	31,5	73	77,5	110	126	15	26