

Clamping levers, steel with internal thread, threaded insert black oxidised steel

Item description/product images



Description

Material:

Handle steel 1.0401.

All other steel parts grade 5.8.

Version:

Handle painted silver-grey hammer-tone.

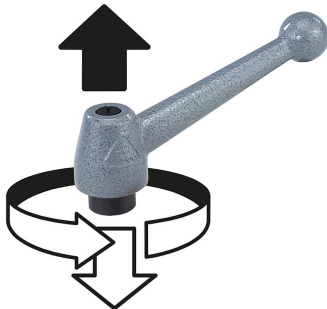
Steel parts black oxidised.

On request:

Other threads and special versions.

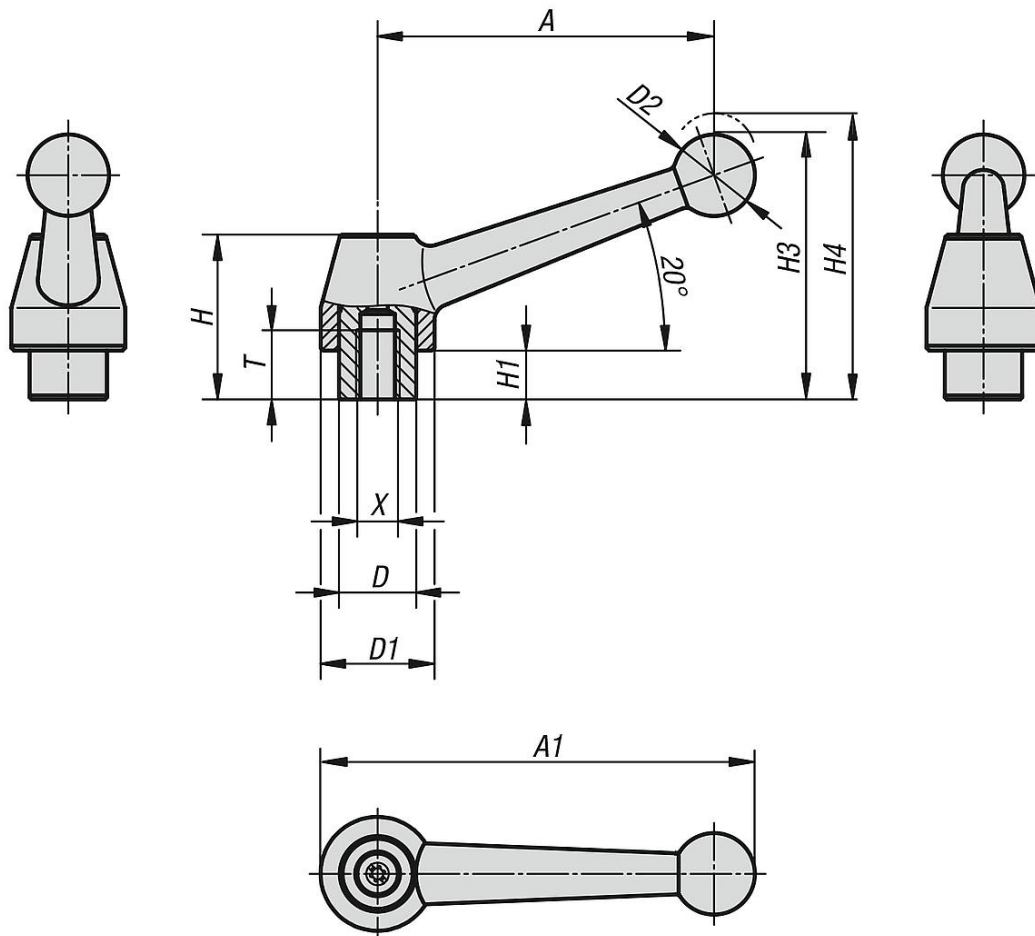
Dimension "H1" available in other lengths at extra charge.

lift to
disengage



Clamping levers, steel with internal thread, threaded insert black oxidised steel

Drawings



Overview of items

Clamping levers with female thread

Order No.	Main material	X	A	A1	T	D	D1	D2	H	H1	H3	H4	No. of teeth
K0120.108	steel	M8	83	107	17	19	28	20	40,5	12	65	68,5	24
K0120.110	steel	M10	83	107	17	19	28	20	40,5	12	65	68,5	24
K0120.112	steel	M12	83	107	17	19	28	20	40,5	12	65	68,5	24
K0120.212	steel	M12	108	138,5	23	23	35	25	51,5	12	79,5	84	26
K0120.216	steel	M16	108	138,5	23	23	35	25	51,5	12	79,5	84	26
K0120.316	steel	M16	132	168	27	30	43	30	60	12	93	97,5	36
K0120.320	steel	M20	132	168	27	30	43	30	60	12	93	97,5	36