

# Indexing plungers, steel or stainless steel, with plastic mushroom grip, extended indexing pin, locking slot and locknut

Item description/product images



## Description

### Material:

Steel version

Indexing pin hardened:  
grade 5.8.

Stainless steel version

Indexing pin hardened:  
Threaded sleeve 1.4305.  
Indexing pin 1.4034.

Indexing pin not hardened:  
Threaded sleeve 1.4305.  
Indexing pin 1.4305.

Mushroom knob black-grey thermoplastic.

### Version:

Steel version:

Indexing pin hardened, ground, black oxidised.

Stainless steel version:

Indexing pin hardened, ground and bright.

Indexing pin not hardened, ground and bright.

### Note:

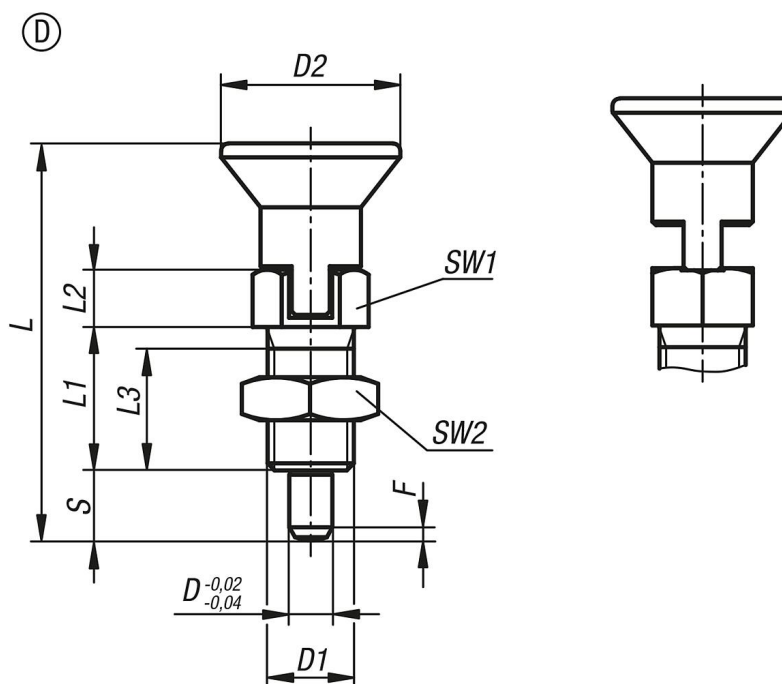
Indexing plungers are used to prevent any change in locking position due to lateral forces. A new locking position can only be set after the pin has been manually disengaged.

### On request:

Special versions.

**Indexing plungers, steel or stainless steel, with plastic mushroom grip, extended indexing pin, locking slot and locknut**

Drawings



**Overview of items**

Order No.	Form	Main material	locating pin	D	D1	D2	L	L1	L2	L3	Travel S	SW1	SW2	Fx30°	Spring force initial pressure F1 approx. N	Spring force final pressure F2 approx. N
K0630.24105	D	steel	hardened	5	M10x1	21	49,5	17	10	15	8	13	17	1,3	5	16
K0630.24206	D	steel	hardened	6	M12x1,5	25	57,7	20	11	17	9	14	19	1,8	6	18
K0630.24308	D	steel	hardened	8	M16x1,5	33	76	26	14	23	12	19	24	2,3	15	45
K0630.204105	D	stainless steel	hardened	5	M10x1	21	49,5	17	10	15	8	13	17	1,3	5	16
K0630.204206	D	stainless steel	hardened	6	M12x1,5	25	57,7	20	11	17	9	14	19	1,8	6	18
K0630.204308	D	stainless steel	hardened	8	M16x1,5	33	76	26	14	23	12	19	24	2,3	15	45
K0630.214105	D	stainless steel	not hardened	5	M10x1	21	49,5	17	10	15	8	13	17	1,3	5	16
K0630.214206	D	stainless steel	not hardened	6	M12x1,5	25	57,7	20	11	17	9	14	19	1,8	6	18
K0630.214308	D	stainless steel	not hardened	8	M16x1,5	33	76	26	14	23	12	19	24	2,3	15	45