

## Toggle clamps vertical with straight foot and fixed clamping spindle

Item description/product images



### Description

**Material:**

Steel.

**Version:**

Trivalent passivated.

Clamping spindle and nuts phosphated.

Plastic grip oil-resistant.

**Note:**

The opening angle between the holding arm and the handle can be reduced or increased by repositioning or removing the stop pin.

A neoprene pressure pad is supplied with version K0056.0150.

**Accessory:**

K0100

K0101

K0102

K0103

K0106

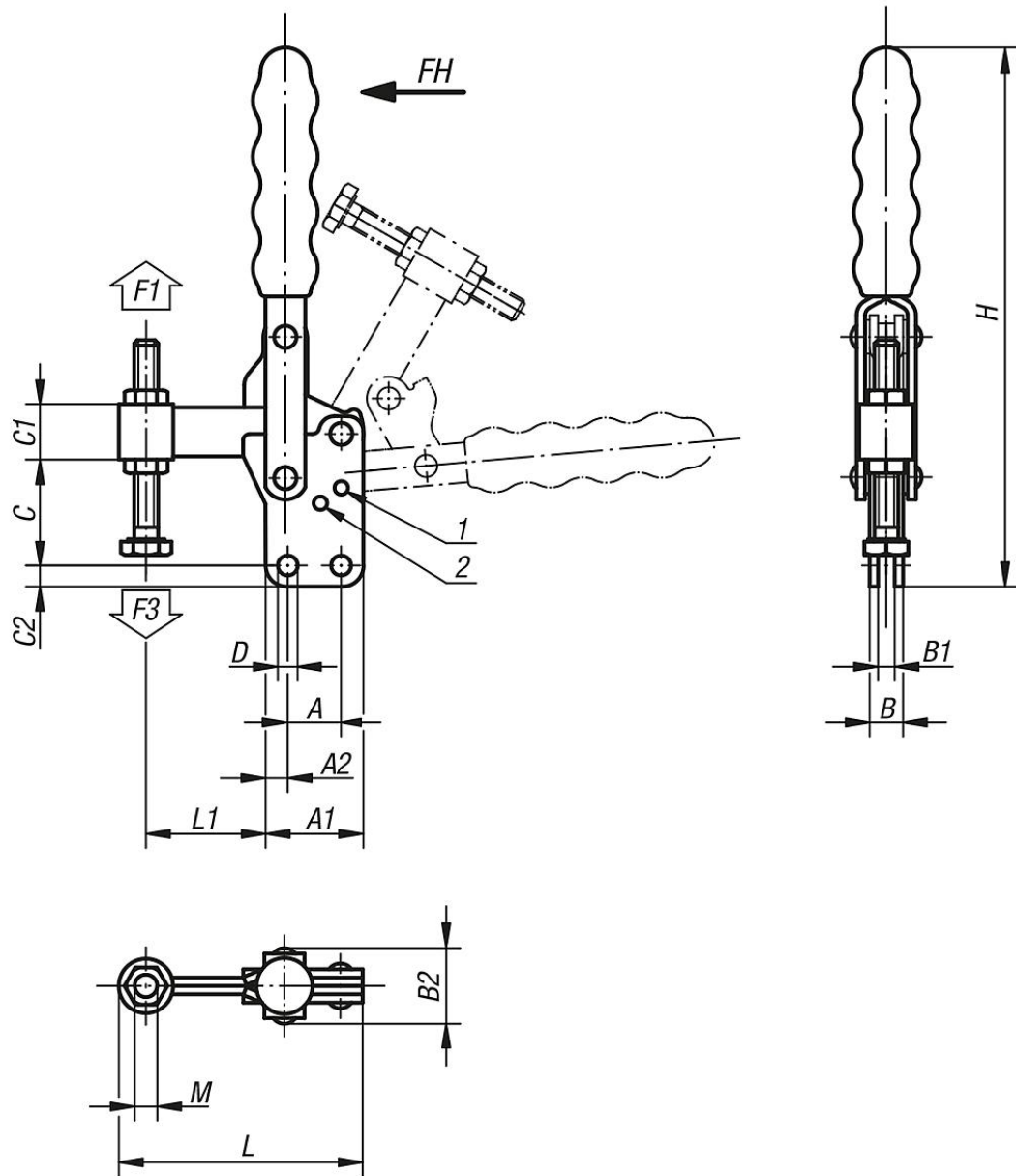
**Drawing reference:**

1) stop pin position 1

2) stop pin position 2

# Toggle clamps vertical with straight foot and fixed clamping spindle

## Drawings



## Overview of items

### Toggle clamps vertical with straight foot and fixed clamping spindle

Order No.	Opening angle holding arm position 1	Opening angle holding arm position 2	Opening angle holding arm stop pin removed	Opening angle handle position 1	Opening angle handle position 2	Opening angle handle stop pin removed	Matching plastic grip
K0056.0150	95°	-	185°	75°	-	110°	K0100.19
K0056.0250	95°	125°	160°	70°	85°	100°	K0100.28
K0056.0350	90°	120°	180°	70°	80°	110°	K0100.30
K0056.0450	90°	125°	180°	70°	85°	110°	K0100.34
K0056.0550	90°	120°	180°	65°	80°	110°	K0100.35

Order No.	A	A1	A2	B	B1	B2	C	C1	C2	D	H	L	L1	M	Hand force FH N	Retaining force F1 N	Clamping force F3 N
K0056.0150	12,7	27	7	12	6	24	28	11	5,4	5,1	135	60	26	M6x50	120	1500	900

## Toggle clamps vertical with straight foot and fixed clamping spindle

### Overview of items

Order No.	A	A1	A2	B	B1	B2	C	C1	C2	D	H	L	L1	M	Hand force FH N	Retaining force F1 N	Clamping force F3 N
<b>K0056.0250</b>	19	35	8	12	6	26	37	21,5	7	7,1	190	87	45	M8x60	190	2500	1150
<b>K0056.0350</b>	32	50	9	16	8	33	52	25,5	9,6	8,3	240	124	65	M10x80	230	3500	1650
<b>K0056.0450</b>	32	53	10	20	10	42	57	30	8,7	8,7	246	136	74	M12x100	260	4500	1650
<b>K0056.0550</b>	51	76	12,5	20	10	41	101	38	12,7	12,3	345	197	108	M16x150	290	5500	1900