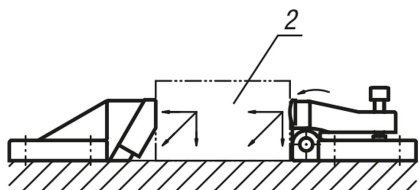


## Side stop, Form B

### Item description/product images



### Description

#### Material:

Body: ductile iron (SG iron).  
Jaw hardened carbon steel.

#### Version:

Painted black.  
Jaw bright.

#### Note:

The workpiece is clamped between side clamps and the side stops, simultaneously producing a positive down force.  
Side clamps and stops are secured with DIN 912 cylinder screws. A secure clamping is ensured when side clamps and side stops are used together.

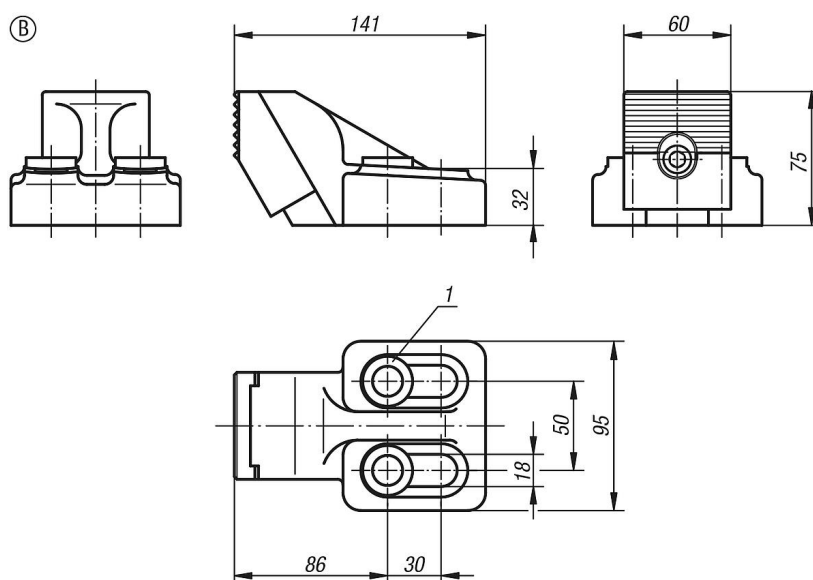
#### Form B:

2 conical seats and 2 spherical washers for M12 and M16 are supplied.

#### Drawing reference:

- 1) spherical washer set for M12 and M16
- 2) workpiece

### Drawings



### Overview of items

Order No.	Form
K0832.02	B

