

Combination spanner with protective caps

Item description/product images



Description

Material:

Combination spanner tool steel.

Protective cap AISi1MgMn.

Note:

The protective cap was specially developed for tightening and loosening screw connections with sensitive surfaces. With normal tools, the surface of polished screws are so damaged from the first tightening, that cavities are created making easy and effective cleaning no longer possible.

The protective caps ensure damage free tightening and loosening of fasteners with outer contours. The soft aluminium leaves no scratches or other damage on sensitive surfaces. By correct and professional use the protective caps have a service life of ca. 1000 operating cycles.

Additionally, with the protective caps the risk of contact corrosion is reliably prevented on stainless steel fasteners. The projecting contour largely prevents unintentional contact points between spanner and stainless steel screw.

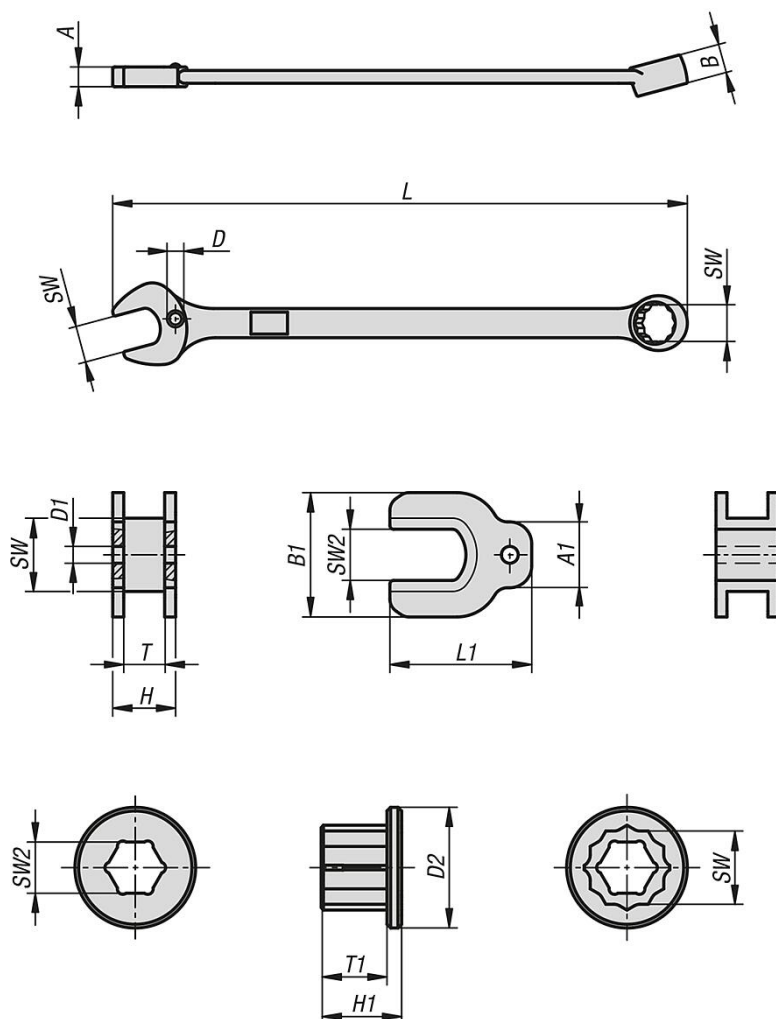
The protective cap is held securely in the spanner by a special moulding or spring clip element. The cap cannot fall out on its own. Worn-out protective caps are changed manually.

On request:

Other sizes.

Combination spanner with protective caps

Drawings



Overview of items

Combination spanner with protective caps

Order No.	Item	Version 1	SW	SW2	A	A1	B	B1	D	D1	D2	L	L1	T	T1	H	H1
K1362.10	Ring spanner	-	10	-	5	-	8	-	5	-	-	154,5	-	-	-	-	-
K1362.11	Ring spanner	-	11	-	5,5	-	8,4	-	5	-	-	168,5	-	-	-	-	-
K1362.13	Ring spanner	-	13	-	6,3	-	10	-	6	-	-	193	-	-	-	-	-
K1362.16	Ring spanner	-	16	-	7	-	11,4	-	6	-	-	230,5	-	-	-	-	-
K1362.19	Ring spanner	-	19	-	8	-	13,5	-	7	-	-	268,5	-	-	-	-	-
K1362.21	Ring spanner	-	21	-	8,5	-	13,7	-	7	-	-	292	-	-	-	-	-
K1362.27	Ring spanner	-	27	-	10,5	-	16	-	9	-	-	380	-	-	-	-	-
K1362.1005	Protective Insert	for open-end spanner	10	5	-	9	-	17	2,3	-	-	19,4	5,6	-	8,6	-	-
K1362.10055	Protective Insert	for open-end spanner	10	5,5	-	9	-	17	2,3	-	-	19,4	5,6	-	8,6	-	-
K1362.1006	Protective Insert	for open-end spanner	10	6	-	9	-	17	2,3	-	-	19,4	5,6	-	8,6	-	-
K1362.1007	Protective Insert	for open-end spanner	10	7	-	9	-	17	2,3	-	-	19,4	5,6	-	8,6	-	-
K1362.1108	Protective Insert	for open-end spanner	11	8	-	9	-	18	2,3	-	-	20,7	5,7	-	8,7	-	-
K1362.1310	Protective Insert	for open-end spanner	13	10	-	10	-	22	3	-	-	23,2	6,7	-	10,7	-	-
K1362.1613	Protective Insert	for open-end spanner	16	13	-	13	-	27	3	-	-	28,6	7,7	-	11,7	-	-
K1362.1915	Protective Insert	for open-end spanner	19	15	-	13	-	30	4	-	-	32,5	8,6	-	12,6	-	-
K1362.1916	Protective Insert	for open-end spanner	19	16	-	13	-	30	4	-	-	32,5	8,6	-	12,6	-	-
K1362.2118	Protective Insert	for open-end spanner	21	18	-	13	-	32	4	-	-	35	9	-	13	-	-
K1362.2119	Protective Insert	for open-end spanner	21	19	-	13	-	32	4	-	-	35	9	-	13	-	-

Combination spanner with protective caps

Overview of items

Order No.	Item	Version 1	SW	SW2	A	A1	B	B1	D	D1	D2	L	L1	T	T1	H	H1
K1362.2724	Protective Insert	for open-end spanner	27	24	-	14	-	40	-	4	-	-	43,8	10,8	-	15	-
K1362.11005	Protective Insert	for ring spanner	10	5	-	-	-	-	-	-	16,5	-	-	-	9	-	11
K1362.110055	Protective Insert	for ring spanner	10	5,5	-	-	-	-	-	-	16,5	-	-	-	9	-	11
K1362.11006	Protective Insert	for ring spanner	10	6	-	-	-	-	-	-	16,5	-	-	-	9	-	11
K1362.11007	Protective Insert	for ring spanner	10	7	-	-	-	-	-	-	16,5	-	-	-	9	-	11
K1362.11108	Protective Insert	for ring spanner	11	8	-	-	-	-	-	-	18	-	-	-	9,4	-	11,4
K1362.11310	Protective Insert	for ring spanner	13	10	-	-	-	-	-	-	21	-	-	-	11	-	13
K1362.11613	Protective Insert	for ring spanner	16	13	-	-	-	-	-	-	25	-	-	-	12,4	-	14,4
K1362.11915	Protective Insert	for ring spanner	19	15	-	-	-	-	-	-	30	-	-	-	14,5	-	16,5
K1362.11916	Protective Insert	for ring spanner	19	16	-	-	-	-	-	-	30	-	-	-	14,5	-	16,5
K1362.12118	Protective Insert	for ring spanner	21	18	-	-	-	-	-	-	32	-	-	-	14,7	-	16,7
K1362.12119	Protective Insert	for ring spanner	21	19	-	-	-	-	-	-	32	-	-	-	14,7	-	16,7
K1362.12724	Protective Insert	for ring spanner	27	24	-	-	-	-	-	-	41	-	-	-	17	-	19