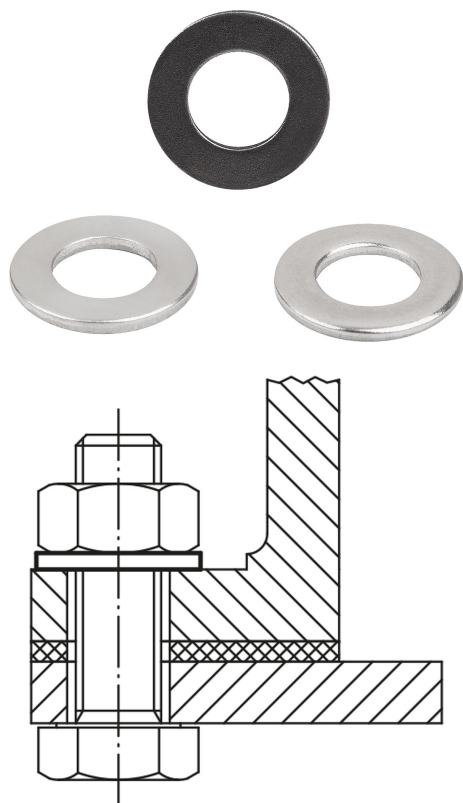


Washers medium, DIN EN ISO 7089 A

Item description/product images



Description

Material:

Steel, stainless steel A2 or stainless steel A4.

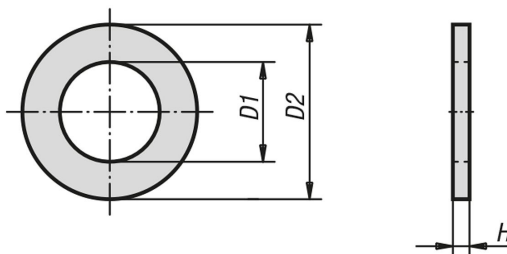
Version:

Steel, bright.

Stainless steel A2, bright.

Stainless steel A4, bright.

Drawings



Overview of items

Medium washers DIN EN ISO 7089 A

Order No.	Main material	Grade	for screws	D1	D2	H
K0868.03	steel	-	M3	3,2	7	0,5
K0868.04	steel	-	M4	4,3	9	0,8
K0868.05	steel	-	M5	5,3	10	1
K0868.06	steel	-	M6	6,4	12	1,6
K0868.08	steel	-	M8	8,4	16	1,6
K0868.10	steel	-	M10	10,5	20	2
K0868.12	steel	-	M12	13	24	2,5
K0868.14	steel	-	M14	15	28	2,5
K0868.16	steel	-	M16	17	30	3
K0868.20	steel	-	M20	21	37	3
K0868.24	steel	-	M24	25	44	4
K0868.30	steel	-	M30	31	56	4

Washers medium, DIN EN ISO 7089 A

Overview of items

Order No.	Main material	Grade	for screws	D1	D2	H
K0868.36	steel	-	M36	37	66	5
K0868.103	stainless steel A2	70	M3	3,2	7	0,5
K0868.104	stainless steel A2	70	M4	4,3	9	0,8
K0868.105	stainless steel A2	70	M5	5,3	10	1
K0868.106	stainless steel A2	70	M6	6,4	12	1,6
K0868.108	stainless steel A2	70	M8	8,4	16	1,6
K0868.110	stainless steel A2	70	M10	10,5	20	2
K0868.112	stainless steel A2	70	M12	13	24	2,5
K0868.114	stainless steel A2	70	M14	15	28	2,5
K0868.116	stainless steel A2	70	M16	17	30	3
K0868.120	stainless steel A2	70	M20	21	37	3
K0868.124	stainless steel A2	70	M24	25	44	4
K0868.130	stainless steel A2	70	M30	31	56	4
K0868.136	stainless steel A2	70	M36	37	66	5
K0868.603	stainless steel A4	70	M3	3,2	7	0,5
K0868.604	stainless steel A4	70	M4	4,3	9	0,8
K0868.605	stainless steel A4	70	M5	5,3	10	1
K0868.606	stainless steel A4	70	M6	6,4	12	1,6
K0868.608	stainless steel A4	70	M8	8,4	16	1,6
K0868.610	stainless steel A4	70	M10	10,5	20	2
K0868.612	stainless steel A4	70	M12	13	24	2,5
K0868.614	stainless steel A4	70	M14	15	28	2,5
K0868.616	stainless steel A4	70	M16	17	30	3
K0868.620	stainless steel A4	70	M20	21	37	3
K0868.624	stainless steel A4	70	M24	25	44	4
K0868.630	stainless steel A4	70	M30	31	56	4
K0868.636	stainless steel A4	70	M36	37	66	5