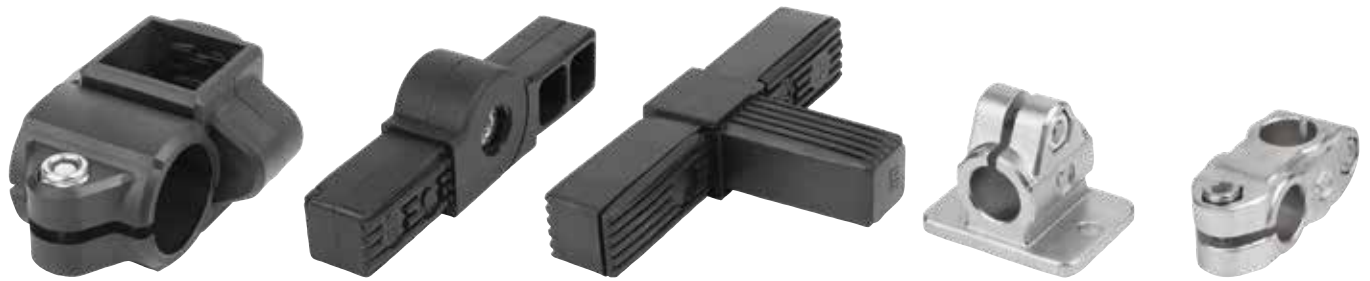


Tube connectors, profile connectors



Technical information

Thermoplastic tube clamping system



The tube clamping system is characterised by the attractive design and a special reducing sleeve concept.

This unique concept and the associated clamping of different diameters and tube forms permit a flexibility never before achieved.

By simply exchanging a sleeve an existing tubular construction can be transformed into one with a different diameter or cross-section.

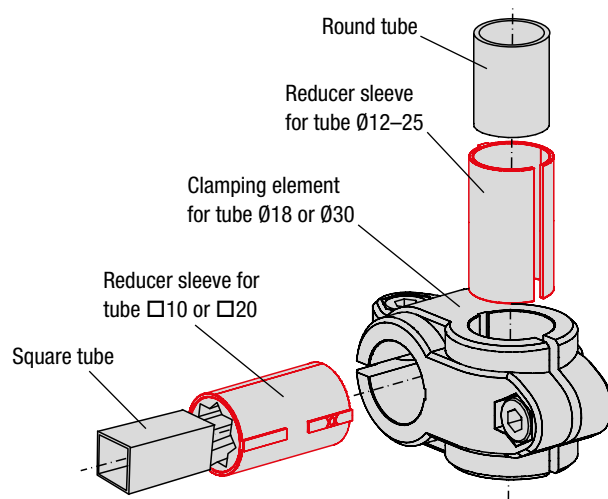
Benefits:

- Only one clamping element per construction type.
- Tube reduction (from $\text{Ø}30\text{--}12$ or $25 \times 25\text{--}10 \times 10$) with different reducer sleeves for round or square tubes.
- Tube diameter marked on each reducer sleeve.
- Locking tab on the sleeves prevents rotation in the clamping element.

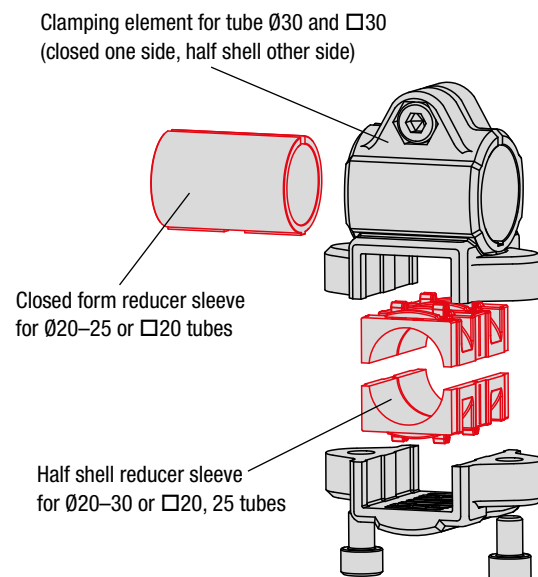
Note:

The clamping elements are supplied as standard with a DIN 7984 screw and a DIN 985 self-locking nut. Plastic clamp levers for locking available on request.

Closed system (one-piece, slitted)



Half shell elements (two-piece)



Tube clamps cross

plastic



Material:
Thermoplastic.
DIN 7984 screws and DIN 985 nuts steel.

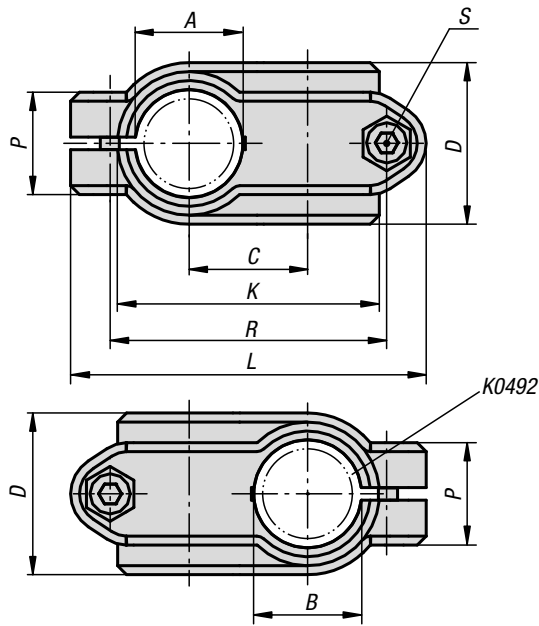
Version:
Black.
Screws and nuts electro zinc-plated.

Sample order:
K0472.1818

Note:
The standard size for round tubes is Ø18 mm or Ø30 mm.
Use reducer sleeves K0492 if smaller tubes are to be clamped or a conversion from round to square tubes is required.

On request:
Plastic clamping levers for tightening.

Accessories:
- Reducer sleeves K0492
- Round and square tubes K0493



KIPP Tube clamps cross, plastic

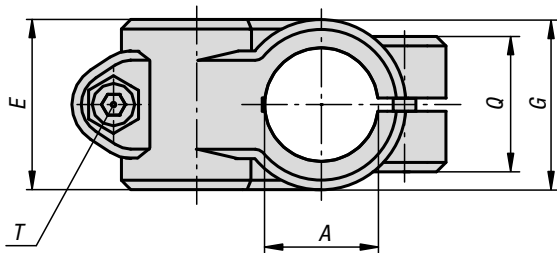
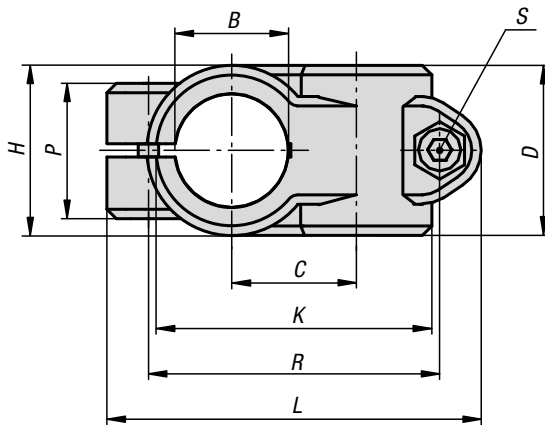
| Order No. | A | B | C | D | K | L | P | R | S |
|------------|----|----|----|----|----|----|------|----|-------|
| K0472.1818 | 18 | 18 | 20 | 30 | 48 | 63 | 21 | 48 | M6x18 |
| K0472.3030 | 30 | 30 | 33 | 45 | 72 | 99 | 28,5 | 77 | M8x25 |

Application using tube clamps



Tube clamps cross

aluminium



Material:

Cast aluminium.
DIN 7984 screws and DIN 985 nuts, steel.

Version:

Vibratory ground.
Screws and nuts electro zinc-plated.

Sample order:

K0472.51818

On request:

Clamping levers for tightening.

Accessories:

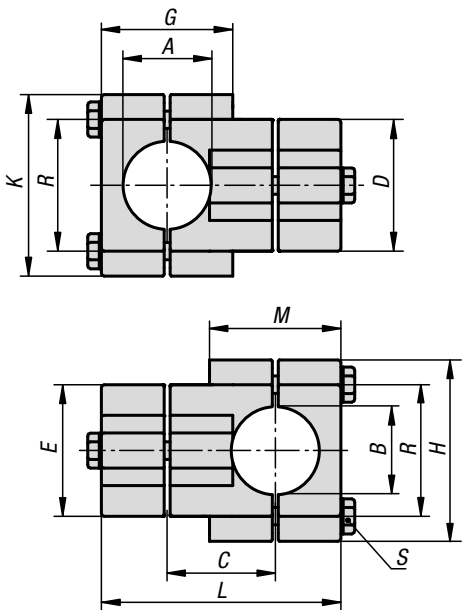
- Round and square tubes K0493

KIPP Tube clamps cross, aluminium

| Order No. | A | B | C | D | E | G | H | K | L | P | Q | R | S | T |
|-------------|-------|-------|----|------|------|----|----|------|-------|----|----|-------|--------|--------|
| K0472.51212 | 12,1 | 12,1 | 20 | 25,5 | 25,5 | - | - | 43,5 | 67 | 23 | 23 | 49 | M6x20 | M6x20 |
| K0472.51414 | 14,1 | 14,1 | 20 | 25,5 | 25,5 | - | - | 43,5 | 67 | 23 | 23 | 49 | M6x20 | M6x20 |
| K0472.51515 | 15,1 | 15,1 | 20 | 25,5 | 25,5 | - | - | 43,5 | 67 | 23 | 23 | 49 | M6x20 | M6x20 |
| K0472.51616 | 16,1 | 16,1 | 20 | 25,5 | 25,5 | - | - | 43,5 | 67 | 23 | 23 | 49 | M6x20 | M6x20 |
| K0472.51818 | 18,1 | 18,1 | 20 | 25,5 | 25,5 | - | - | 43,5 | 67 | 23 | 23 | 49 | M6x20 | M6x20 |
| K0472.52014 | 20,1 | 14,1 | 27 | 40 | 33 | 40 | 26 | 59 | 84 | 21 | 33 | 65 | M8x25 | M6x20 |
| K0472.52020 | 20,1 | 20,1 | 33 | 40 | 40 | - | - | 73 | 101 | 33 | 33 | 78 | M8x25 | M8x25 |
| K0472.52514 | 25,1 | 14,1 | 27 | 40 | 33 | 40 | 26 | 59 | 84 | 21 | 33 | 65 | M8x25 | M6x20 |
| K0472.52525 | 25,1 | 25,1 | 33 | 40 | 40 | - | - | 73 | 101 | 33 | 33 | 78 | M8x25 | M8x25 |
| K0472.53014 | 30,1 | 14,1 | 27 | 40 | 33 | 40 | 26 | 59 | 84 | 21 | 33 | 65 | M8x25 | M6x20 |
| K0472.53030 | 30,1 | 30,1 | 33 | 40 | 40 | - | - | 73 | 101 | 33 | 33 | 78 | M8x25 | M8x25 |
| K0472.54020 | 40,17 | 20,1 | 36 | 50 | 40 | 52 | 32 | 60 | 110 | 33 | 40 | 86,5 | M10x30 | M8x25 |
| K0472.54030 | 40,17 | 30,1 | 45 | 65 | 65 | 65 | 45 | 98 | 137,5 | 44 | 44 | 108,5 | M10x30 | M10x30 |
| K0472.54040 | 40,17 | 40,17 | 45 | 60 | 60 | - | - | 100 | 137 | 40 | 40 | 111 | M10x30 | M10x30 |
| K0472.55030 | 50,22 | 30,1 | 45 | 65 | 65 | 65 | 45 | 98 | 137,5 | 44 | 44 | 108,5 | M10x35 | M10x35 |
| K0472.55050 | 50,2 | 50,2 | 53 | 70 | 70 | - | - | 118 | 154 | 45 | 45 | 128 | M10x35 | M10x35 |

Tube clamps cross

aluminium



Material:
Cast aluminium.
Screws and nuts steel.

Version:
Vibratory ground.
Screws and nuts electro zinc-plated.

Sample order:
K0472.523030

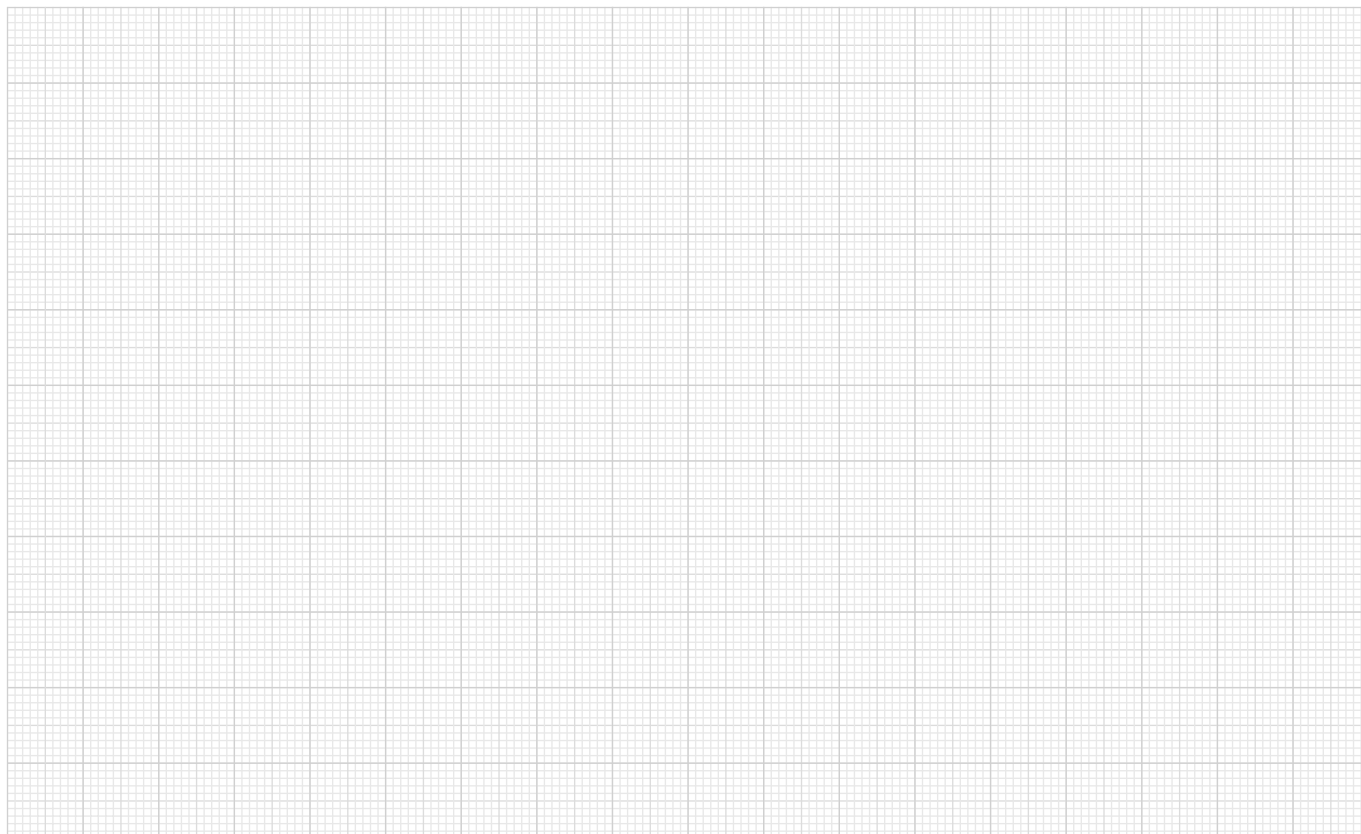
On request:
Clamping levers for tightening and other diameters.

Accessories:
- Round and square tubes K0493

KIPP Tube clamps cross, aluminium

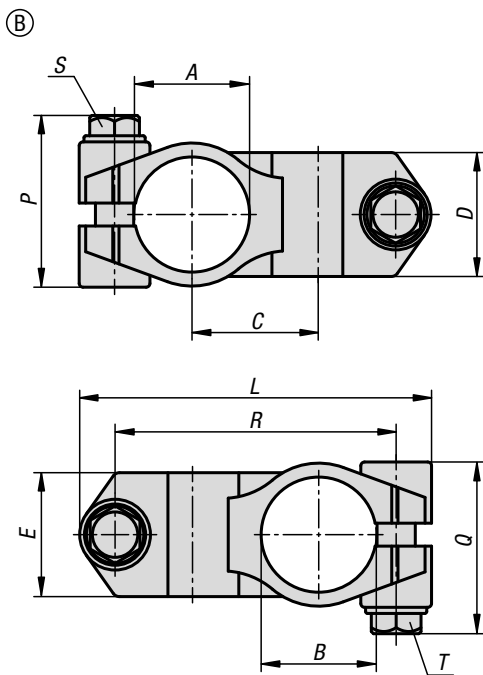
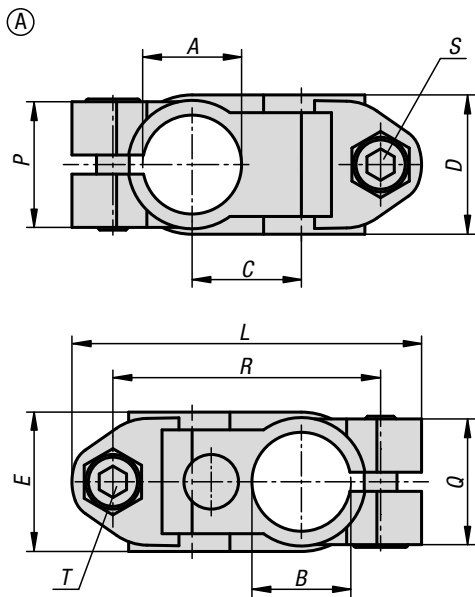
| Order No. | A | B | C | D | E | G | H | K | L | M | R | S |
|--------------|------|------|----|----|----|----|----|----|-----|----|----|-------|
| K0472.523030 | 30,2 | 30,2 | 38 | 45 | 45 | 44 | 64 | 64 | 83 | 44 | 46 | M8x45 |
| K0472.524040 | 40,2 | 40,2 | 50 | 60 | 60 | 61 | 75 | 75 | 111 | 61 | 57 | M8x60 |

Notes



Tube clamps cross

stainless steel



Material:

Investment cast 1.4308 stainless steel.
ISO 4762 cap screw and ISO 4032 hex nut, stainless steel.
From $\varnothing 30$ mm ISO 4017 hex head bolt, stainless steel.

Version:

Electropolished.

Sample order:

K0472.11212

Note:

The tube clamps with diameters 30 and 40 mm have a silicone sleeve that protects the thread of the hex head screw from contamination and damage.

On request:

Clamping levers for tightening.

Accessories:

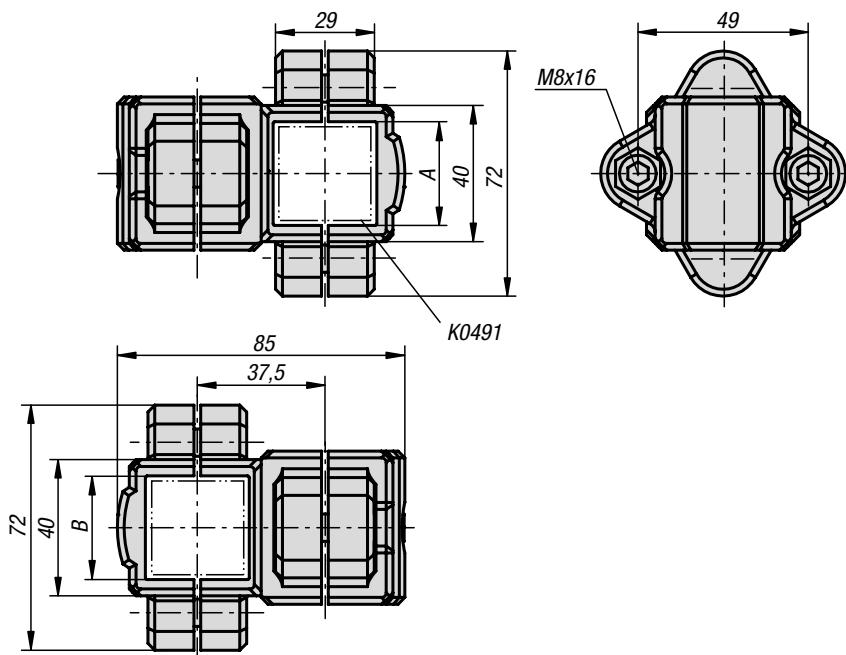
- Round and square tubes K0493

KIPP Tube clamps cross, stainless steel

| Order No. | Form | A | B | C | D | E | L | P | Q | R | S | T |
|-------------|------|-------|-------|----|------|------|-----|------|------|------|--------|--------|
| K0472.11212 | A | 12,1 | 12,1 | 20 | 25,5 | 25,5 | 64 | 23 | 23 | 49 | M6x18 | M6x18 |
| K0472.11414 | A | 14,1 | 14,1 | 20 | 25,5 | 25,5 | 64 | 23 | 23 | 49 | M6x18 | M6x18 |
| K0472.11616 | A | 16,1 | 16,1 | 20 | 25,5 | 25,5 | 64 | 23 | 23 | 49 | M6x18 | M6x18 |
| K0472.11818 | A | 18,1 | 18,1 | 20 | 25,5 | 25,5 | 64 | 23 | 23 | 49 | M6x18 | M6x18 |
| K0472.12020 | A | 20,1 | 20,1 | 21 | 25,5 | 25,5 | 64 | 23 | 23 | 49 | M6x18 | M6x18 |
| K0472.13030 | B | 30,1 | 30,1 | 33 | 32,4 | 32,4 | 92 | 45,5 | 45,5 | 73,5 | M8x30 | M8x30 |
| K0472.14040 | B | 40,17 | 40,17 | 42 | 40,4 | 40,4 | 118 | 52 | 52 | 95,5 | M10x35 | M10x35 |

Tube clamps cross

plastic



Material:
Thermoplastic.
DIN 7984 screws and DIN 985 nuts steel.

Version:
Black.
Screws and nuts electro zinc-plated.

Sample order:
K0473.3030

Note:
These cross clamps are for 30 mm square tubes.
Use reducer sleeves K0491 if smaller tubes are to be clamped or a conversion from square to round tubes is required.

On request:
Plastic clamping levers for tightening.

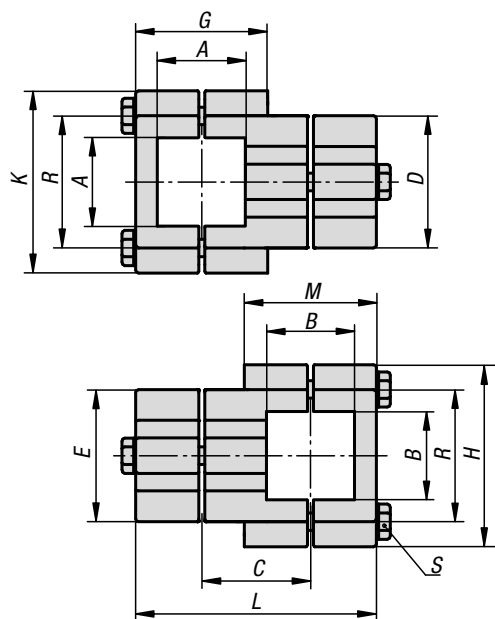
Accessories:
- Reducer sleeves K0491
- Round and square tubes K0493

KIPP Tube clamps cross, plastic

| Order No. | A | B |
|------------|----|----|
| K0473.3030 | 30 | 30 |

Tube clamps cross

aluminium



Material:
Cast aluminium.
Screws and nuts steel.

Version:
Vibratory ground.
Screws and nuts electro zinc-plated.

Sample order:
K0473.523030

On request:
Levers for locking and other sizes for square tube.

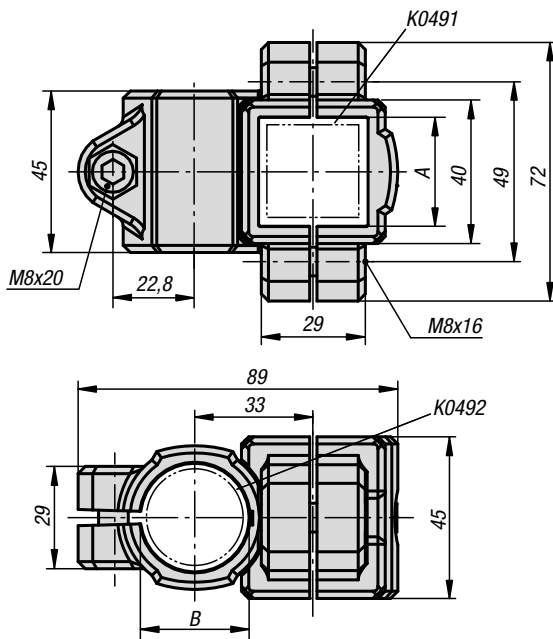
Accessories:
- Round and square tubes K0493

KIPP Tube clamps cross, aluminium

| Order No. | A | B | C | D | E | G | H | K | L | M | R | S |
|--------------|------|------|----|----|----|----|----|----|-----|----|----|-------|
| K0473.523030 | 30,2 | 30,2 | 38 | 45 | 45 | 44 | 64 | 64 | 83 | 44 | 46 | M8x45 |
| K0473.524040 | 40,3 | 40,3 | 50 | 60 | 60 | 61 | 75 | 75 | 111 | 61 | 57 | M8x60 |

Tube clamps cross

plastic



Material:

Thermoplastic.
DIN 7984 screws and DIN 985 nuts steel.

Version:

Black.
Screws and nuts electro zinc-plated.

Sample order:

K0474.3030

Note:

These cross clamps are for 30 mm square and round tubes. Use reducer sleeves K0491 or K0492 if smaller tubes are to be clamped or a conversion from round to square tubes „or vice versa“ is required.

On request:

Plastic clamping levers for tightening.

Accessories:

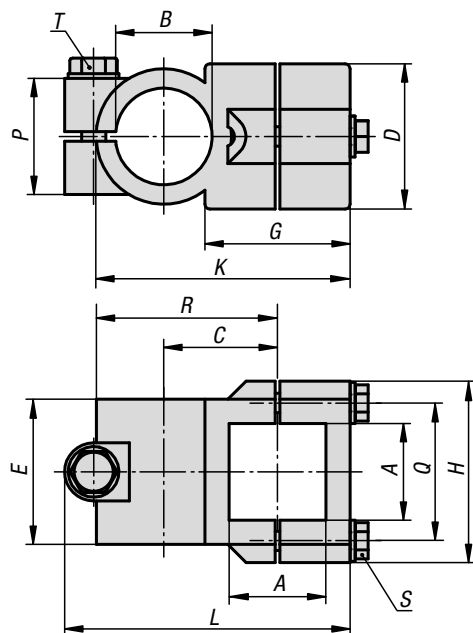
- Reducer sleeves K0491 and K0492
- Round and square tubes K0493

KIPP Tube clamps cross, plastic

| Order No. | A | B |
|------------|----|----|
| K0474.3030 | 30 | 30 |

Tube clamps cross

aluminium



Material:

Cast aluminium.
Screws and nuts steel.

Version:

Vibratory ground.
Screws and nuts electro zinc-plated.

Sample order:

K0474.53030

On request:

Clamping levers for fastening and other diameters.

Accessories:

- Round and square tubes K0493

KIPP Tube clamps cross, aluminium

| Order No. | A | B | C | D | E | G | H | K | L | P | Q | R | S | T |
|-------------|------|------|----|----|----|----|----|-----|-----|----|----|----|-------|--------|
| K0474.53030 | 30,2 | 30,1 | 33 | 45 | 45 | 40 | 62 | 76 | 86 | 33 | 46 | 55 | M8x35 | M8x35 |
| K0474.54040 | 40,3 | 40,2 | 47 | 60 | 60 | 60 | 75 | 105 | 117 | 48 | 57 | 75 | M8x45 | M10x50 |

Tube clamps T-angle

plastic



Material:

Thermoplastic.
DIN 7984 screws and DIN 985 nuts steel.

Version:

Black.
Screws and nuts electro zinc-plated.

Sample order:

K0475.1818

Note:

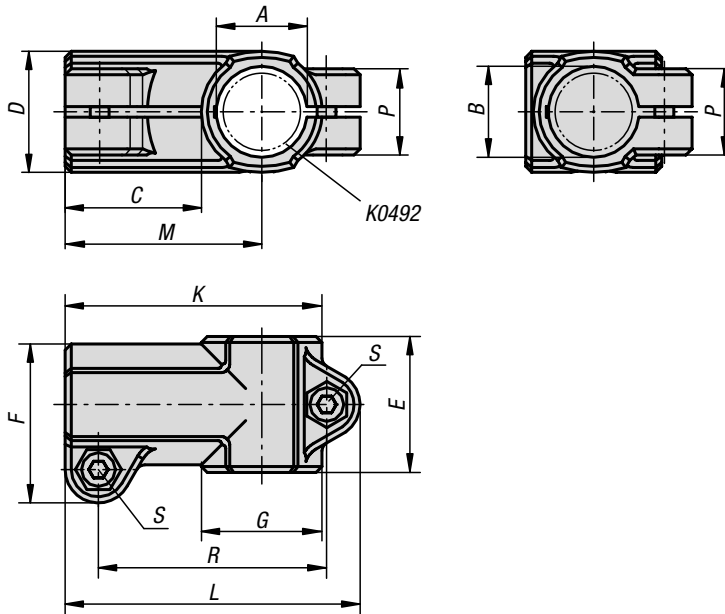
The standard size for round tubes is $\varnothing 18$ mm or $\varnothing 30$ mm. Use reducer sleeves K0492 if smaller tubes are to be clamped or a conversion from round to square tubes is required.

On request:

Plastic clamping levers for tightening.

Accessories:

- Reducer sleeves K0492
- Round and square tubes K0493

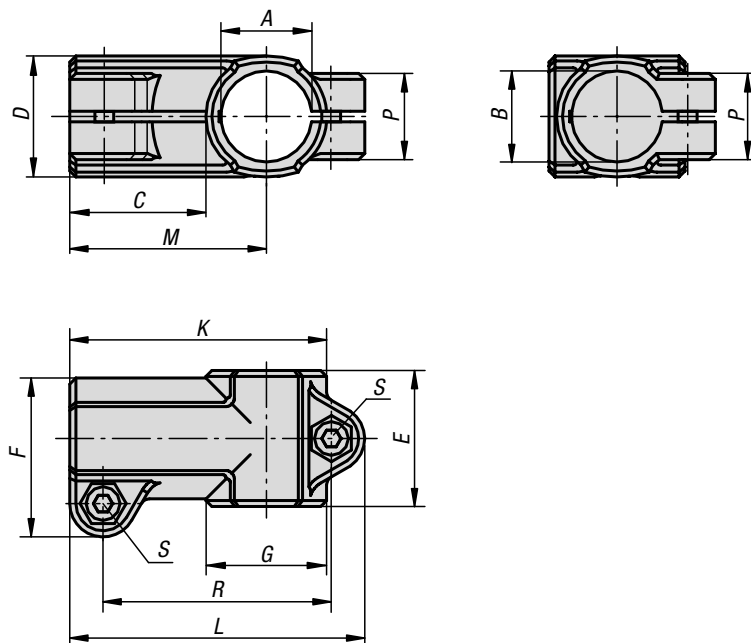


KIPP Tube clamps T-angle, plastic

| Order No. | A | B | C | D | E | F | G | K | L | M | P | R | S |
|------------|----|----|------|----|----|------|----|------|------|----|------|------|-------|
| K0475.1818 | 18 | 18 | 30,5 | 25 | 30 | 34 | 25 | 55,5 | 64,5 | 43 | 21 | 49,5 | M6x18 |
| K0475.3030 | 30 | 30 | 45 | 40 | 45 | 52,5 | 40 | 85 | 97,5 | 65 | 28,5 | 75,5 | M8x25 |

Tube clamps T-angle

aluminium



Material:

Cast aluminium.
DIN 7984 screws and DIN 985 nuts, steel.

Version:

Vibratory ground.
Screws and nuts electro zinc-plated.

Sample order:

K0475.51818

On request:

Levers for locking and other diameters.

Accessories:

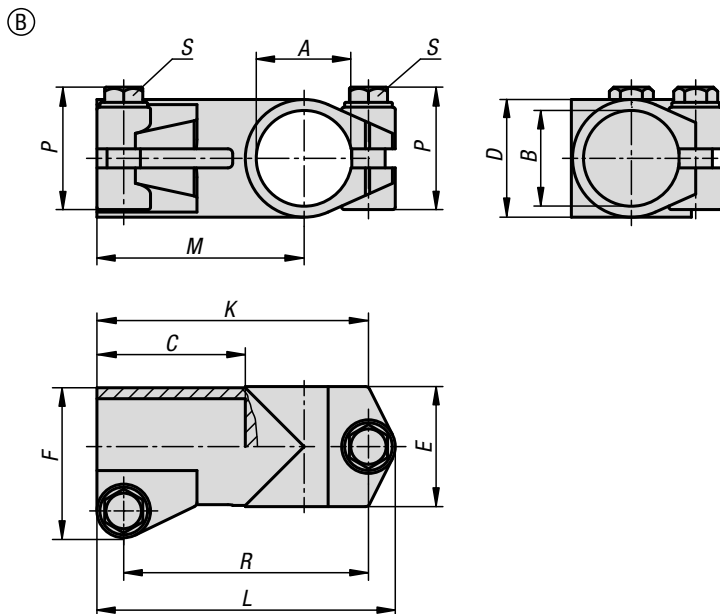
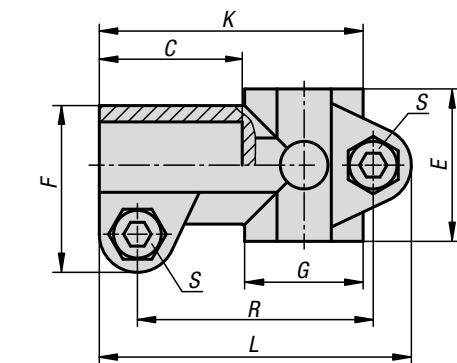
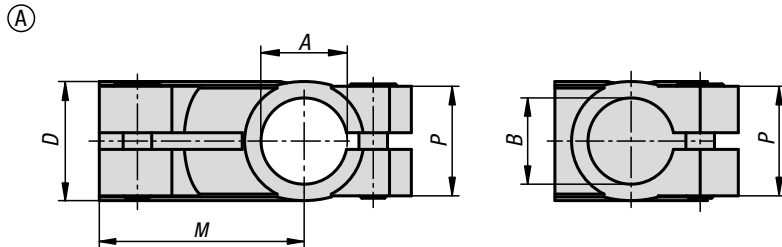
- Round and square tubes K0493

KIPP Tube clamps T-angle, aluminium

| Order No. | A | B | C | D | E | F | G | K | L | M | P | R | S |
|-------------|-------|-------|----|----|----|------|----|-----|-----|----|----|------|--------|
| K0475.51212 | 12,1 | 12,1 | 28 | 25 | 32 | 35,5 | 25 | 56 | 66 | 43 | 23 | 49 | M6x20 |
| K0475.51414 | 14,1 | 14,1 | 28 | 25 | 32 | 35,5 | 25 | 56 | 66 | 43 | 23 | 49 | M6x20 |
| K0475.51515 | 15,1 | 15,1 | 28 | 25 | 32 | 35,5 | 25 | 56 | 66 | 43 | 23 | 49 | M6x20 |
| K0475.51616 | 16,1 | 16,1 | 28 | 25 | 32 | 35,5 | 25 | 56 | 66 | 43 | 23 | 49 | M6x20 |
| K0475.51818 | 18,1 | 18,1 | 28 | 25 | 32 | 35,5 | 25 | 56 | 66 | 43 | 23 | 49 | M6x20 |
| K0475.52020 | 20,1 | 20,1 | 38 | 40 | 45 | 53 | 40 | 80 | 93 | 60 | 33 | 72,5 | M8x25 |
| K0475.52525 | 25,1 | 25,1 | 38 | 40 | 45 | 53 | 40 | 80 | 93 | 60 | 33 | 72,5 | M8x25 |
| K0475.53030 | 30,1 | 30,1 | 38 | 40 | 45 | 53 | 40 | 80 | 93 | 60 | 33 | 72,5 | M8x25 |
| K0475.54040 | 40,15 | 40,15 | 55 | 56 | 60 | 74 | 56 | 116 | 134 | 88 | 40 | 108 | M10x30 |
| K0475.55050 | 50,22 | 50,22 | 63 | 66 | 66 | 84 | 66 | 131 | 149 | 98 | 45 | 123 | M10x35 |

Tube clamps T-angle

stainless steel



Material:

Investment cast 1.4308 stainless steel.
ISO 4762 cap screw and ISO 4032 hex nut, stainless steel.
From $\varnothing 30$ mm ISO 4017 hex head bolt, stainless steel.

Version:

Electropolished.

Sample order:

K0475.11212

Note:

The tube clamps with diameters 30 and 40 mm have a silicone sleeve that protects the thread of the hex head screw from contamination and damage.

On request:

Clamping levers for tightening.

Accessories:

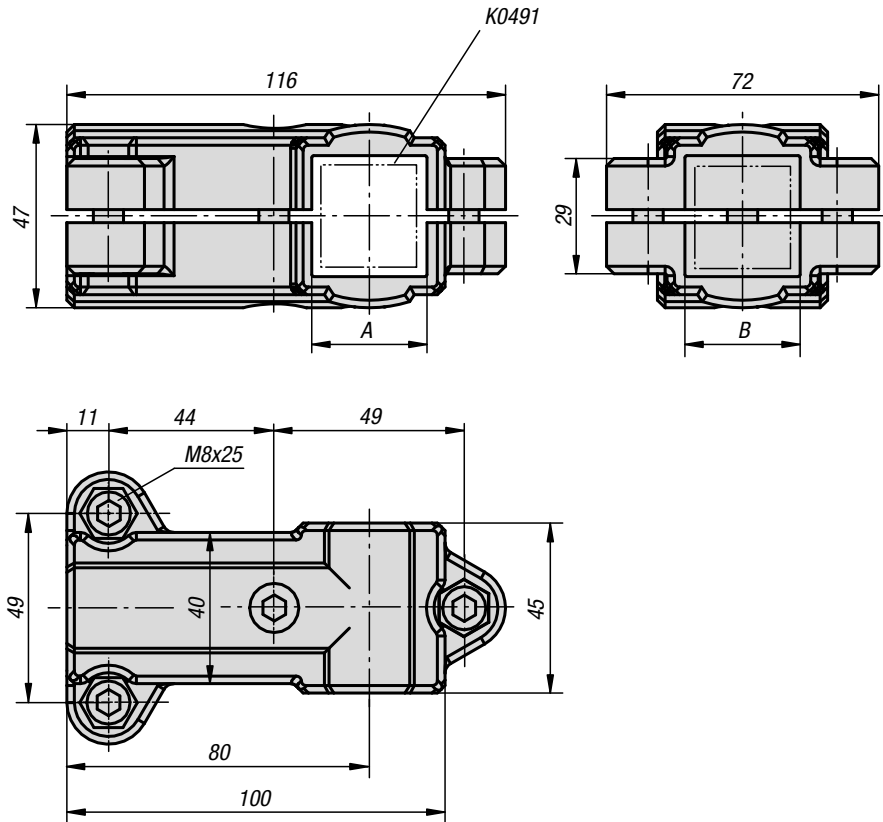
- Round and square tubes K0493

KIPP Tube clamps T-angle stainless steel

| Order No. | Form | A | B | C | D | E | F | G | K | L | M | P | R | S |
|-------------|------|-------|-------|------|------|----|----|----|------|-------|----|------|-------|--------|
| K0475.11212 | A | 12,1 | 12,1 | 30,5 | 25 | 32 | 35 | 25 | 55,5 | 65,5 | 43 | 23 | 49,5 | M6x18 |
| K0475.11414 | A | 14,1 | 14,1 | 30,5 | 25 | 32 | 35 | 25 | 55,5 | 65,5 | 43 | 23 | 49,5 | M6x18 |
| K0475.11616 | A | 16,1 | 16,1 | 30,5 | 25 | 32 | 35 | 25 | 55,5 | 65,5 | 43 | 23 | 49,5 | M6x18 |
| K0475.11818 | A | 18,1 | 18,1 | 30,5 | 25 | 32 | 35 | 25 | 55,5 | 65,5 | 43 | 23 | 49,5 | M6x18 |
| K0475.12020 | A | 20,1 | 20,1 | 30,5 | 25 | 32 | 35 | 25 | 55,5 | 65,5 | 43 | 23 | 49,5 | M6x18 |
| K0475.13030 | B | 30,1 | 30,1 | 40 | 38,4 | 38 | 48 | - | 78 | 87 | 58 | 45,5 | 69 | M8x30 |
| K0475.14040 | B | 40,17 | 40,17 | 60 | 50,4 | 50 | 63 | - | 112 | 124,9 | 87 | 52 | 102,5 | M10x35 |

Tube clamps T-angle

plastic



Material:

Thermoplastic.
DIN 7984 screws and DIN 985 nuts steel.

Version:

Black.
Screws and nuts electro zinc-plated.

Sample order:

K0476.3030

Note:

These T-clamps are for 30 mm square tubes. Use reducer sleeves K0491 if smaller tubes are to be clamped or a conversion from square to round tubes is required.

On request:

Plastic clamping levers for tightening.

Accessories:

- Reducer sleeves K0491
- Round and square tubes K0493

KIPP Tube clamps T-angle, plastic

| Order No. | A | B |
|------------|----|----|
| K0476.3030 | 30 | 30 |

Tube clamps T-angle

aluminium



Material:

Cast aluminium.
Screws and nuts steel.

Version:

Vibratory ground.
Screws and nuts electro zinc-plated.

Sample order:

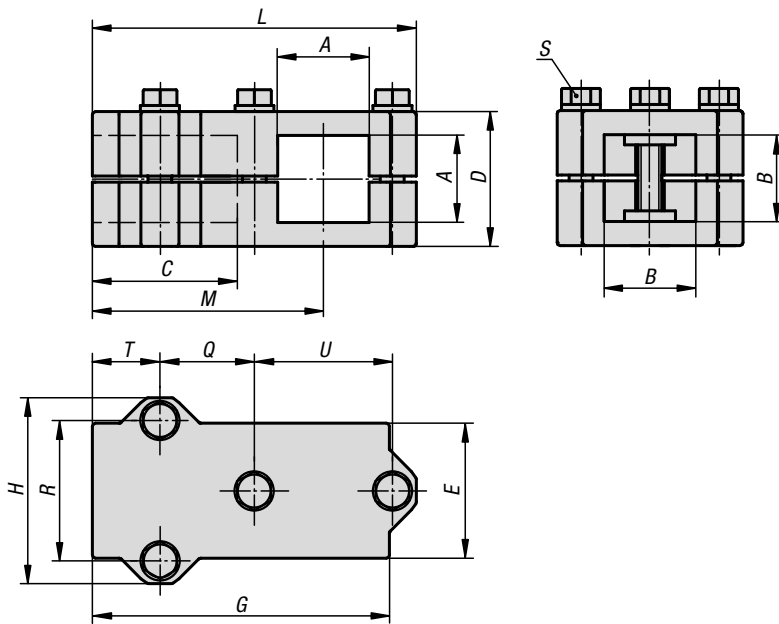
K0476.523030

On request:

Levers for locking and other sizes for square tube.

Accessories:

- Round and square tubes K0493

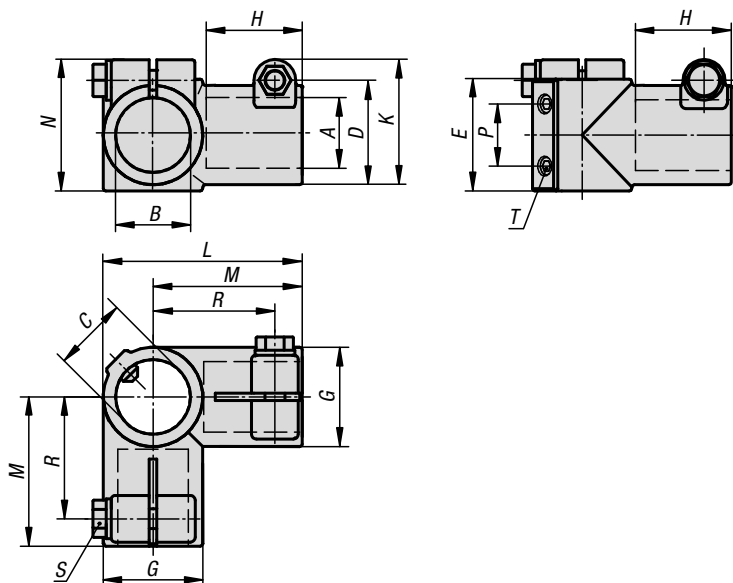


KIPP Tube clamps T-angle, aluminium

| Order No. | A | B | C | D | E | G | H | L | M | Q | R | S | T | U |
|--------------|------|------|----|----|----|-----|----|-----|----|------|----|-------|----|----|
| K0476.523030 | 30,3 | 30,3 | 46 | 45 | 45 | 100 | 62 | 108 | 77 | 31,5 | 46 | M8x45 | 23 | 46 |
| K0476.524040 | 40,4 | 40,4 | 60 | 60 | 60 | 129 | 75 | 136 | 99 | 40 | 57 | M8x60 | 30 | 57 |

Tube clamps right-angle

aluminium



Material:

Cast aluminium.
Screws and nuts steel.

Version:

Vibratory ground.
Screws and nuts electro zinc-plated.

Sample order:

K0476.530

On request:

Clamping levers for tightening and other diameters.

Accessories:

- Round and square tubes K0493

KIPP Tube clamps right-angle, aluminium

| Order No. | A | B | C | D | E | G | H | K | L | M | N | P | R | S | T |
|-----------|-------|-------|-------|----|----|----|----|----|-----|-----|----|----|----|--------|--------|
| K0476.530 | 30,1 | 30,1 | 30,1 | 40 | 45 | 40 | 38 | 51 | 80 | 60 | 53 | 25 | 49 | M8x25 | M8x15 |
| K0476.540 | 40,15 | 40,15 | 40,15 | 56 | 60 | 56 | 58 | 71 | 116 | 88 | 73 | 35 | 70 | M10x30 | M8x10 |
| K0476.550 | 50,22 | 50,22 | 50,22 | 66 | 70 | 66 | 70 | 78 | 136 | 108 | 80 | 40 | 90 | M10x35 | M10x15 |

Tube clamps base

plastic



Material:

Thermoplastic.
DIN 7984 screws and DIN 985 nuts steel.

Version:

Black.
Screws and nuts electro zinc-plated.

Sample order:

K0477.18

Note:

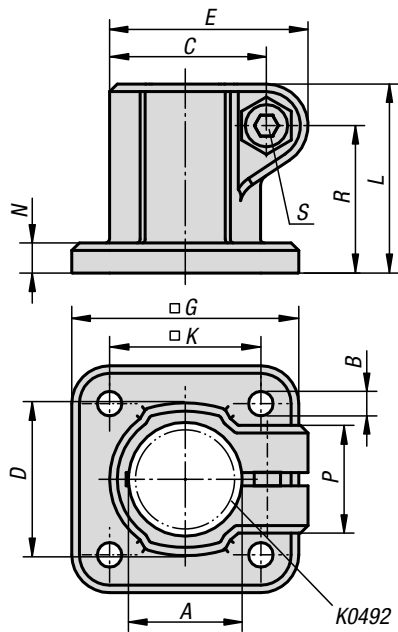
The standard size for round tubes is $\varnothing 18$ mm or $\varnothing 30$ mm.
Use reducer sleeves K0492 if smaller tubes are to be clamped or a conversion from round to square tubes is required.

On request:

Plastic clamping levers for tightening.

Accessories:

- Reducer sleeves K0492
- Round and square tubes K0493



KIPP Tube clamps base, plastic

| Order No. | A | B | C | D | E | G | K | L | N | P | R | S |
|-----------|----|-----|------|----|------|----|----|----|---|------|------|-------|
| K0477.18 | 18 | 5,3 | 26,5 | 26 | 34 | 45 | 30 | 32 | 5 | 21 | 24,5 | M6x18 |
| K0477.30 | 30 | 6,5 | 41,5 | 42 | 52,5 | 60 | 40 | 50 | 8 | 28,5 | 39 | M8x25 |

Tube clamps base

aluminium



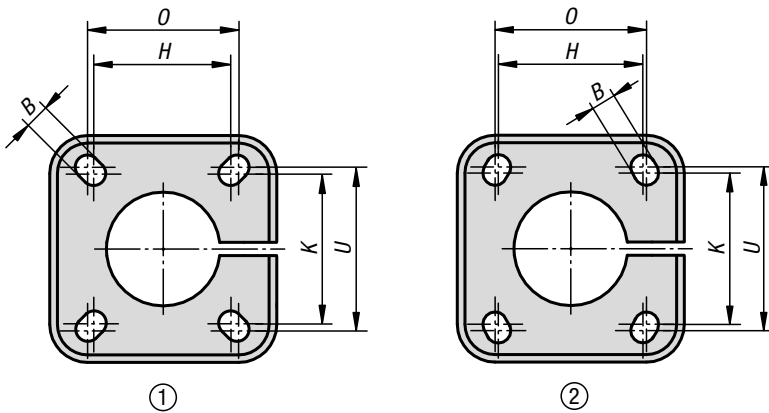
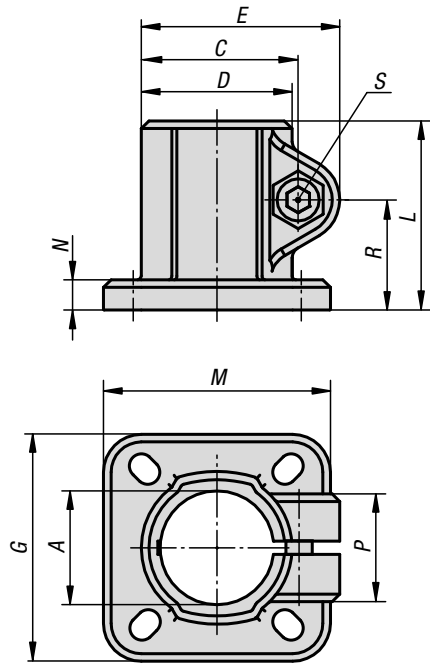
Material:
Cast aluminium.
DIN 7984 screws and DIN 985 nuts, steel.

Version:
Vibratory ground.
Screws and nuts electro zinc-plated.

Sample order:
K0477.518

On request:
Clamping levers for tightening and other diameters.

Accessories:
- Round and square tubes K0493



KIPP Tube clamps base, aluminium

| Order No. | hole arrangement | A | B | C | D | E | G | H | K | L | M | N | O | P | R | S | U |
|-----------|------------------|-------|----|------|----|------|-----|----|----|----|-----|----|----|----|------|--------|----|
| K0477.512 | 1 | 12,1 | 6 | 27 | 25 | 35,5 | 42 | 28 | 28 | 37 | 42 | 5 | 30 | 23 | 21 | M6x20 | 30 |
| K0477.514 | 1 | 14,1 | 6 | 27 | 25 | 35,5 | 42 | 28 | 28 | 37 | 42 | 5 | 30 | 23 | 21 | M6x20 | 30 |
| K0477.515 | 1 | 15,1 | 6 | 27 | 25 | 35,5 | 42 | 28 | 28 | 37 | 42 | 5 | 30 | 23 | 21 | M6x20 | 30 |
| K0477.516 | 1 | 16,1 | 6 | 27 | 25 | 35,5 | 42 | 28 | 28 | 37 | 42 | 5 | 30 | 23 | 21 | M6x20 | 30 |
| K0477.518 | 1 | 18,1 | 6 | 27 | 25 | 35,5 | 42 | 28 | 28 | 37 | 42 | 5 | 30 | 23 | 21 | M6x20 | 30 |
| K0477.520 | 2 | 20,1 | 7 | 42,5 | 40 | 53 | 60 | 40 | 42 | 50 | 60 | 8 | 42 | 33 | 29 | M8x25 | 45 |
| K0477.525 | 2 | 25,1 | 7 | 42,5 | 40 | 53 | 60 | 40 | 42 | 50 | 60 | 8 | 42 | 33 | 29 | M8x25 | 45 |
| K0477.530 | 2 | 30,1 | 7 | 42,5 | 40 | 53 | 60 | 40 | 42 | 50 | 60 | 8 | 42 | 33 | 29 | M8x25 | 45 |
| K0477.540 | 1 | 40,17 | 9 | 61 | 56 | 74 | 90 | 60 | 60 | 70 | 90 | 10 | 64 | 40 | 40 | M10x30 | 64 |
| K0477.550 | 1 | 50,22 | 11 | 70 | 66 | 84 | 105 | 74 | 74 | 85 | 105 | 14 | 80 | 45 | 49,5 | M10x35 | 80 |

Tube clamps base

stainless steel



Material:

Investment cast 1.4308 stainless steel.
ISO 4762 cap screw and ISO 4032 hex nut, stainless steel.
From ø30 mm ISO 4017 hex head bolt, stainless steel.

Version:

Electropolished.

Sample order:

K0477.112

Note:

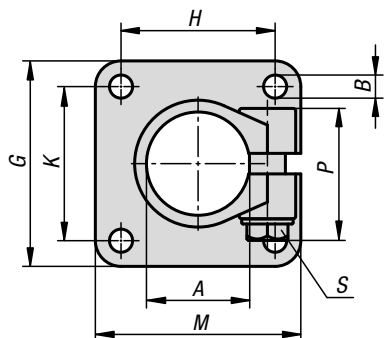
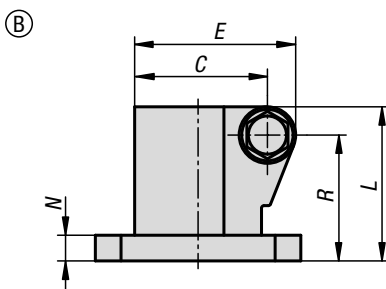
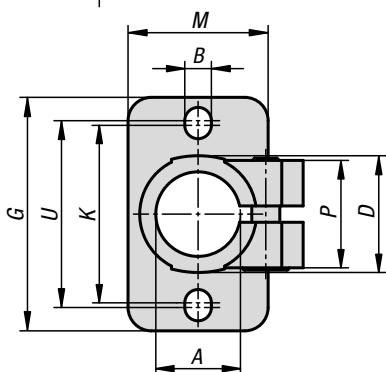
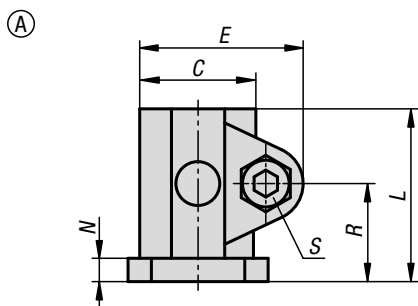
The tube clamps with diameters 30 and 40 mm have a silicone sleeve that protects the thread of the hex head screw from contamination and damage.

On request:

Clamping levers for tightening.

Accessories:

- Round and square tubes K0493

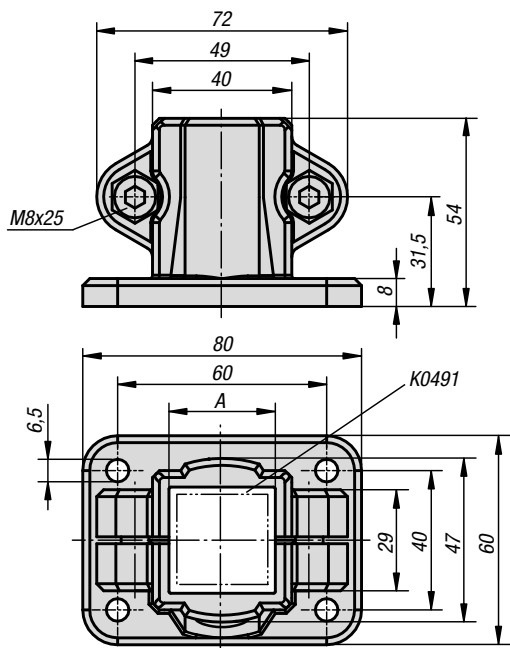


KIPP Tube clamps base, stainless steel

| Order No. | Form | A | B | C | D | E | G | H | K | L | M | N | P | R | S | U |
|-----------|------|-------|-----|------|------|----|----|----|----|----|----|----|------|------|--------|----|
| K0477.112 | A | 12,1 | 5,7 | 27 | 25 | 35 | 50 | - | 38 | 37 | 30 | 5 | 23 | 21 | M6x18 | 40 |
| K0477.114 | A | 14,1 | 5,7 | 27 | 25 | 35 | 50 | - | 38 | 37 | 30 | 5 | 23 | 21 | M6x18 | 40 |
| K0477.116 | A | 16,1 | 5,7 | 27 | 25 | 35 | 50 | - | 38 | 37 | 30 | 5 | 23 | 21 | M6x18 | 40 |
| K0477.118 | A | 18,1 | 5,7 | 27 | 25 | 35 | 50 | - | 38 | 37 | 30 | 5 | 23 | 21 | M6x18 | 40 |
| K0477.120 | A | 20,1 | 5,7 | 27 | 25 | 35 | 50 | - | 38 | 37 | 30 | 5 | 23 | 21 | M6x18 | 40 |
| K0477.130 | B | 30,1 | 7 | 39 | 37,4 | 48 | 60 | 40 | 40 | 50 | 60 | 7 | 45,5 | 41 | M8x30 | - |
| K0477.140 | B | 40,17 | 9 | 51,7 | 49,4 | 63 | 80 | 60 | 60 | 60 | 80 | 10 | 52 | 48,7 | M10x35 | - |

Tube clamps base

plastic



KIPP Tube clamps base, plastic

| Order No. | A |
|-----------|----|
| K0478.30 | 30 |



Material:
Thermoplastic.
DIN 7984 screws and DIN 985 nuts steel.

Version:
Black.
Screws and nuts electro zinc-plated.

Sample order:
K0478.30

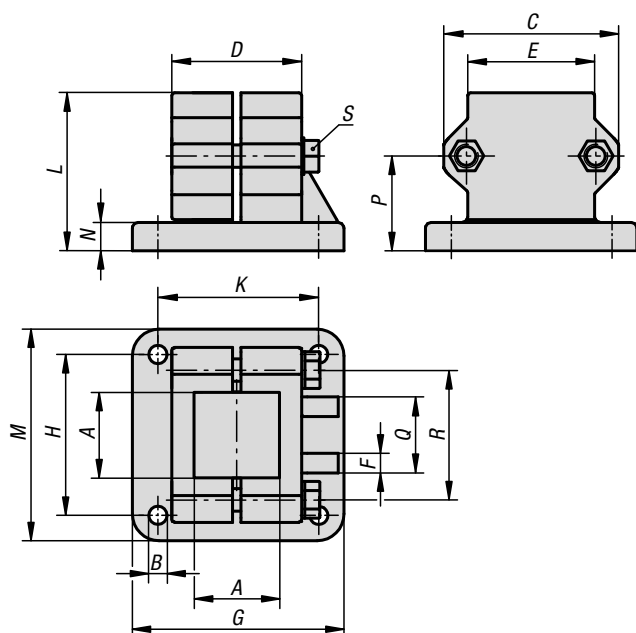
Note:
These base clamps are for 30 mm square tubes. Use reducer sleeves K0491 if smaller tubes are to be clamped or a conversion from square to round tubes is required.

On request:
Plastic clamping levers for tightening.

Accessories:
- Reducer sleeves K0491
- Round and square tubes K0493

Tube clamps base

aluminium



KIPP Tube clamps base, aluminium

| Order No. | A | B | C | D | E | F | G | H | K | L | M | N | P | Q | R | S |
|------------|------|---|----|----|----|---|-----|----|----|----|-----|----|------|----|----|-------|
| K0478.5230 | 30,3 | 7 | 62 | 45 | 45 | 5 | 75 | 57 | 57 | 56 | 75 | 10 | 33,5 | 25 | 46 | M8x45 |
| K0478.5240 | 40,4 | 9 | 75 | 60 | 60 | 5 | 100 | 76 | 76 | 73 | 100 | 12 | 43 | 32 | 57 | M8x60 |



Material:
Cast aluminium.
Screws and nuts steel.

Version:
Vibratory ground.
Screws and nuts electro zinc-plated.

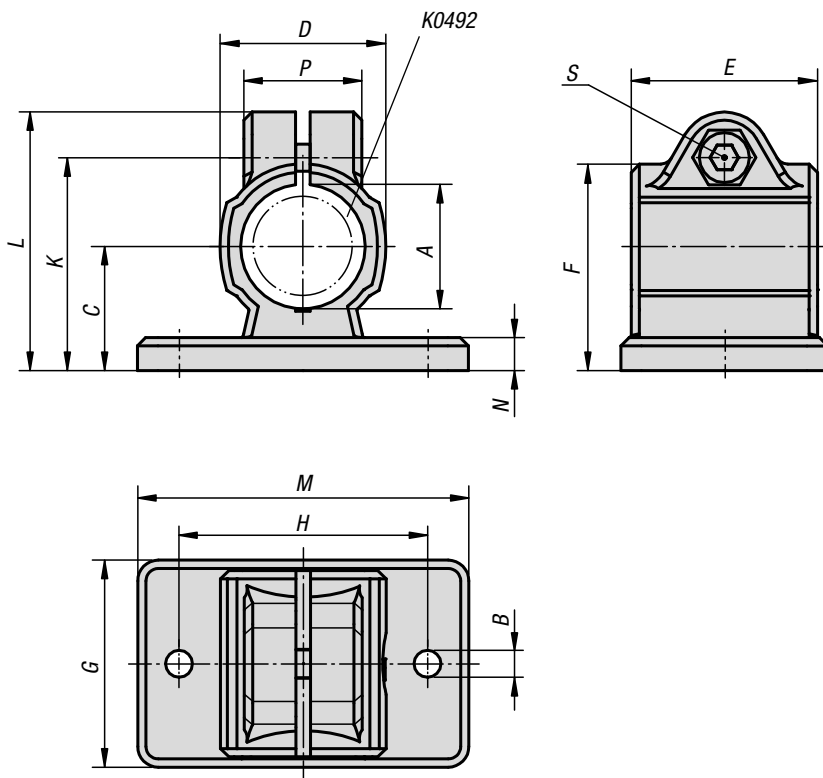
Sample order:
K0478.5230

On request:
Levers for locking and other sizes for square tube.

Accessories:
- Round and square tubes K0493

Tube clamps flange

plastic



Material:

Thermoplastic.
DIN 7984 screws and DIN 985 nuts steel.

Version:

Black.
Screws and nuts electro zinc-plated.

Sample order:

K0479.18

Note:

The standard size for round tubes is $\varnothing 18$ mm or $\varnothing 30$ mm. Use reducer sleeves K0492 if smaller tubes are to be clamped or a conversion from round to square tubes is required.

On request:

Plastic clamping levers for tightening.

Accessories:

- Reducer sleeves K0492
- Round and square tubes K0493



KIPP Tube clamps, flange, plastic

| Order No. | A | B | C | D | E | F | G | H | K | L | M | N | P | S |
|-----------|----|-----|----|----|----|------|----|----|------|------|----|---|------|-------|
| K0479.18 | 18 | 5,3 | 18 | 25 | 30 | 30,5 | 35 | 40 | 32 | 39,5 | 50 | 5 | 21 | M6x18 |
| K0479.30 | 30 | 6,5 | 30 | 40 | 45 | 50 | 50 | 60 | 51,5 | 62,5 | 80 | 8 | 28,5 | M8x25 |

Tube clamps flange

aluminium



Material:
Cast aluminium.
DIN 7984 screws and DIN 985 nuts, steel.

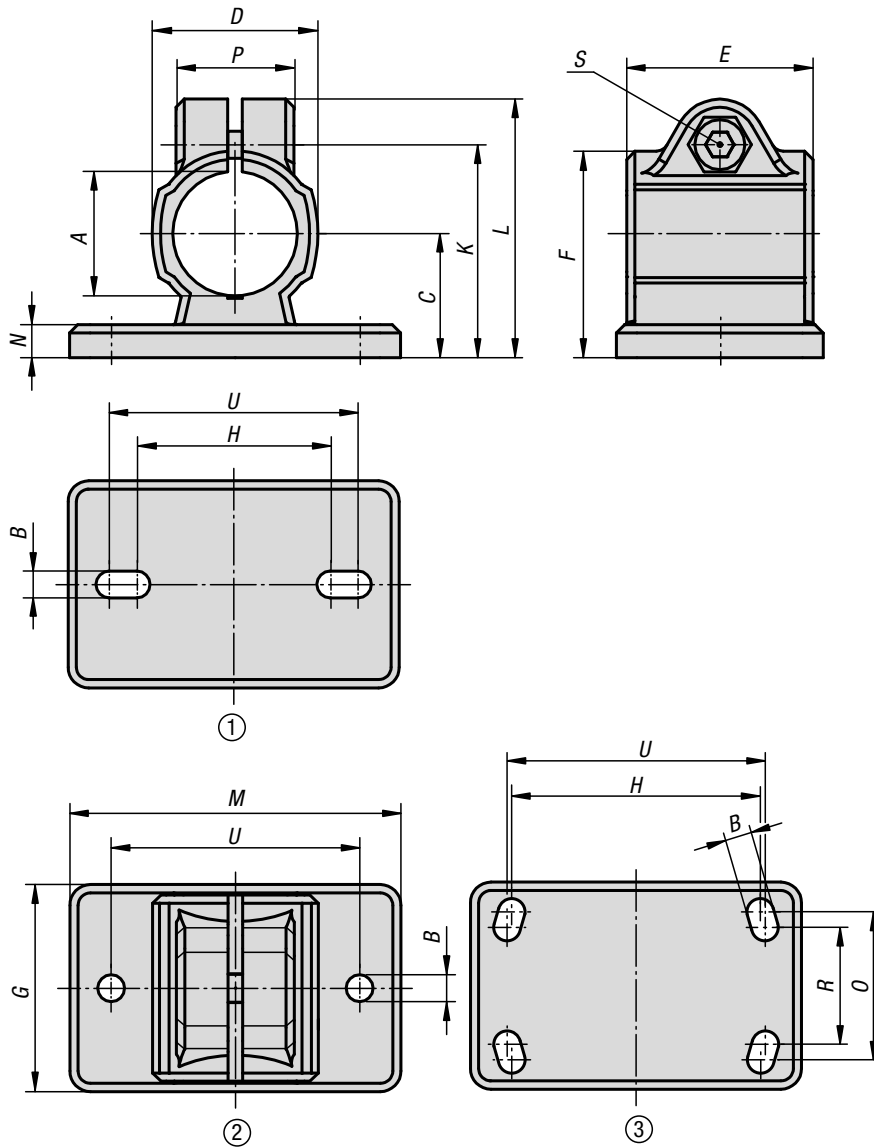
Version:
Vibratory ground.
Screws and nuts electro zinc-plated.

Sample order:
K0479.518

Note:
* Elongated hole

On request:
Clamping levers for tightening and other diameters.

Accessories:
- Round and square tubes K0493

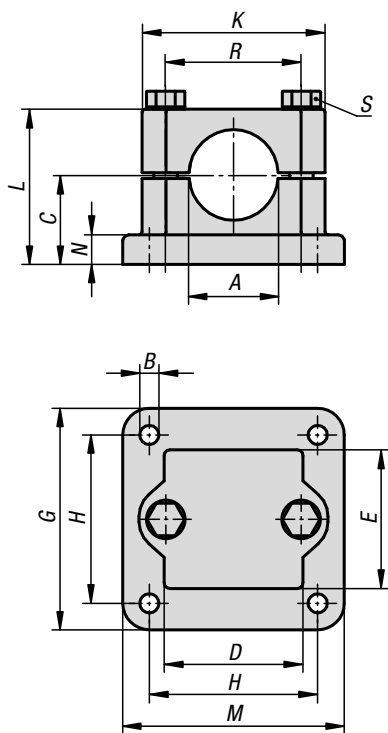


KIPP Tube clamps, flange, aluminium

| Order No. | hole arrangement | A | B | C | D | E | F | G | H | K | L | M | N | O | P | R | S | U |
|-----------|------------------|-------|------------|----|----|----|----|----|----|------|----|-----|----|----|----|----|--------|-----|
| K0479.512 | 1 | 12,1 | 5,5* (2x) | 18 | 25 | 35 | 31 | 35 | 38 | 32,5 | 41 | 50 | 5 | - | 23 | - | M6x20 | 40 |
| K0479.514 | 2 | 14,1 | 5,5 (2x) | 18 | 25 | 35 | 31 | 35 | - | 32,5 | 41 | 50 | 5 | - | 23 | - | M6x20 | 40 |
| K0479.515 | 2 | 15,1 | 5,5 (2x) | 18 | 25 | 35 | 31 | 35 | - | 32,5 | 41 | 50 | 5 | - | 23 | - | M6x20 | 40 |
| K0479.516 | 1 | 16,1 | 5,5* (2x) | 18 | 25 | 35 | 31 | 35 | 38 | 32,5 | 41 | 50 | 5 | - | 23 | - | M6x20 | 40 |
| K0479.518 | 2 | 18,1 | 5,5 (2x) | 18 | 25 | 35 | 31 | 35 | - | 32,5 | 41 | 50 | 5 | - | 23 | - | M6x20 | 40 |
| K0479.520 | 1 | 20,1 | 6,5* (2x) | 30 | 40 | 40 | 50 | 55 | 53 | 53 | 63 | 78 | 7 | - | 33 | - | M8x25 | 60 |
| K0479.525 | 1 | 25,1 | 6,5* (2x) | 30 | 40 | 40 | 50 | 55 | 53 | 53 | 63 | 78 | 7 | - | 33 | - | M8x25 | 60 |
| K0479.530 | 1 | 30,1 | 6,5* (2x) | 30 | 40 | 40 | 50 | 55 | 53 | 53 | 63 | 78 | 7 | - | 33 | - | M8x25 | 60 |
| K0479.540 | 3 | 40,17 | 8,5* (4x) | 42 | 56 | 60 | 70 | 80 | 80 | 74 | 87 | 105 | 10 | 60 | 40 | 52 | M10x30 | 82 |
| K0479.550 | 3 | 50,22 | 10,5* (4x) | 50 | 66 | 65 | 83 | 90 | 98 | 85 | 98 | 128 | 14 | 62 | 45 | 60 | M10x35 | 100 |

Tube clamps flange

aluminium



Material:

Cast aluminium.
Screws and nuts steel.

Version:

Vibratory ground.
Screws and nuts electro zinc-plated.

Sample order:

K0479.5230

On request:

Clamping levers for tightening and other diameters.

Accessories:

- Round and square tubes K0493



KIPP Tube clamps, flange, aluminium

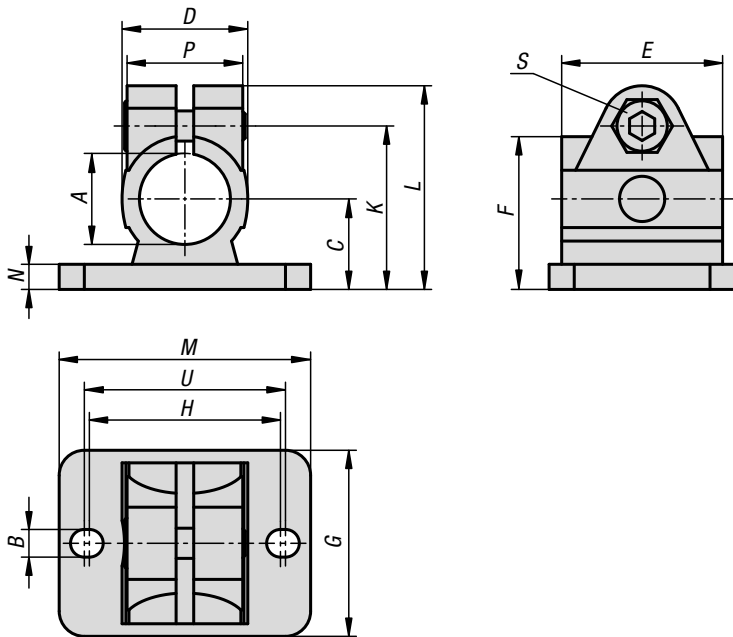
| Order No. | A | B | C | D | E | G | H | K | L | M | N | R | S |
|------------|------|---|----|----|----|-----|----|----|------|-----|----|----|-------|
| K0479.5220 | 20,2 | 7 | 30 | 45 | 45 | 75 | 57 | 62 | 52,5 | 75 | 10 | 46 | M8x50 |
| K0479.5225 | 25,2 | 7 | 30 | 45 | 45 | 75 | 57 | 62 | 52,5 | 75 | 10 | 46 | M8x50 |
| K0479.5230 | 30,2 | 7 | 30 | 45 | 45 | 75 | 57 | 62 | 52,5 | 75 | 10 | 46 | M8x50 |
| K0479.5240 | 40,2 | 9 | 40 | 60 | 60 | 100 | 76 | 75 | 70 | 100 | 10 | 57 | M8x70 |

Tube clamps flange

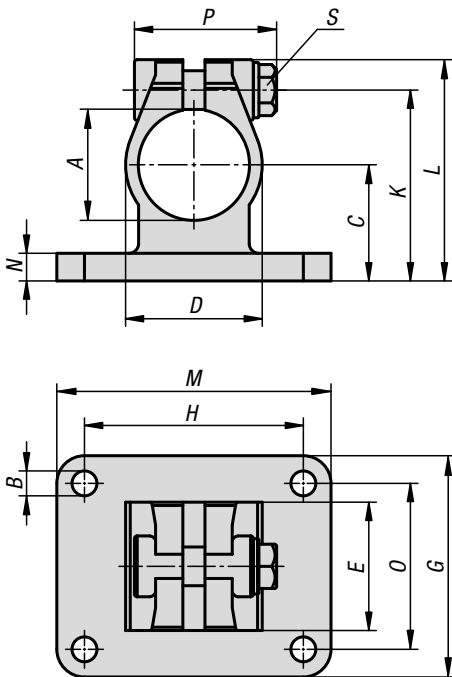
stainless steel



Ⓐ



Ⓑ



Material:
Investment cast 1.4308 stainless steel.
ISO 4762 cap screw and ISO 4032 hex nut, stainless steel.
From $\varnothing 30$ mm ISO 4017 hex head bolt, stainless steel.

Version:
Electropolished.

Sample order:
K0479.112

Note:
The tube clamps with diameters 30 and 40 mm have a silicone sleeve that protects the thread of the hex head screw from contamination and damage.

On request:
Clamping levers for tightening.

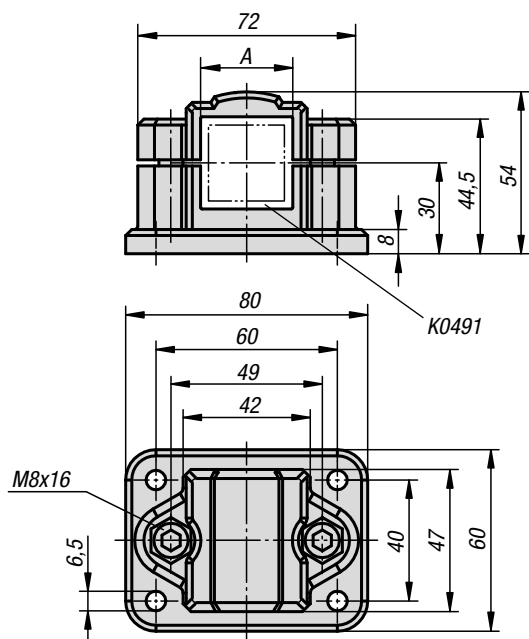
Accessories:
- Round and square tubes K0493

KIPP Tube clamps flange, stainless steel

| Order No. | Form | A | B | C | D | E | F | G | H | K | L | M | N | O | P | S | U |
|-----------|------|-------|-----|----|------|------|------|----|----|------|------|----|----|----|------|--------|----|
| K0479.112 | A | 12,1 | 5,5 | 18 | 25 | 32 | 30,4 | 37 | 38 | 32,5 | 40,5 | 50 | 5 | - | 23 | M6x18 | 40 |
| K0479.114 | A | 14,1 | 5,5 | 18 | 25 | 32 | 30,4 | 37 | 38 | 32,5 | 40,5 | 50 | 5 | - | 23 | M6x18 | 40 |
| K0479.116 | A | 16,1 | 5,5 | 18 | 25 | 32 | 30,4 | 37 | 38 | 32,5 | 40,5 | 50 | 5 | - | 23 | M6x18 | 40 |
| K0479.118 | A | 18,1 | 5,5 | 18 | 25 | 32 | 30,4 | 37 | 38 | 32,5 | 40,5 | 50 | 5 | - | 23 | M6x18 | 40 |
| K0479.120 | A | 20,1 | 5,5 | 18 | 25 | 32 | 30,4 | 37 | 38 | 32,5 | 40,5 | 50 | 5 | - | 23 | M6x18 | 40 |
| K0479.130 | B | 30,1 | 7 | 30 | 37,4 | 32,4 | - | 55 | 60 | 50 | 59,2 | 78 | 7 | 40 | 45,5 | M8x30 | - |
| K0479.140 | B | 40,17 | 9 | 42 | 49,4 | 46,4 | - | 80 | 60 | 69 | 80 | 80 | 10 | 60 | 52 | M10x35 | - |

Tube clamps flange

plastic



KIPP Tube clamps flange, plastic

| Order No. | A |
|-----------|----|
| K0480.30 | 30 |



Material:
Thermoplastic.
DIN 7984 screws and DIN 985 nuts steel.

Version:
Black.
Screws and nuts electro zinc-plated.

Sample order:
K0480.30

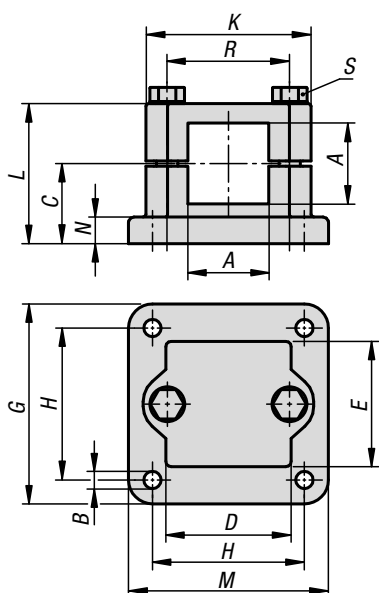
Note:
These flange clamps are for 30 mm square tubes. Use reducer sleeves K0491 if smaller tubes are to be clamped or a conversion from square to round tubes is required.

On request:
Plastic clamping levers for tightening.

Accessories:
- Reducer sleeves K0491
- Round and square tubes K0493

Tube clamps flange

aluminium



KIPP Tube clamps flange, aluminium

| Order No. | A | B | C | D | E | G | H | K | L | M | N | R | S |
|------------|------|---|----|----|----|-----|----|----|------|-----|----|----|-------|
| K0480.5225 | 25,3 | 7 | 30 | 45 | 45 | 75 | 57 | 62 | 52,5 | 75 | 10 | 46 | M8x50 |
| K0480.5230 | 30,3 | 7 | 30 | 45 | 45 | 75 | 57 | 62 | 52,5 | 75 | 10 | 46 | M8x50 |
| K0480.5240 | 40,4 | 9 | 40 | 60 | 60 | 100 | 76 | 75 | 70 | 100 | 10 | 57 | M8x70 |



Material:
Cast aluminium.
Screws and nuts steel.

Version:
Vibratory ground.
Screws and nuts electro zinc-plated.

Sample order:
K0480.5230

On request:
Levers for locking and other sizes for square tube.

Accessories:
- Round and square tubes K0493

Tube clamps straight

plastic



Material:

Thermoplastic.
DIN 7984 screws and DIN 985 nuts steel.

Version:

Black.
Screws and nuts electro zinc-plated.

Sample order:

K0481.30

Note:

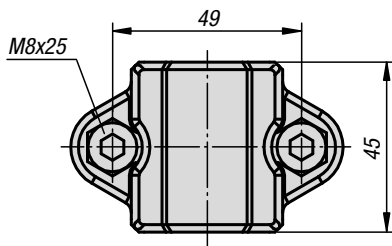
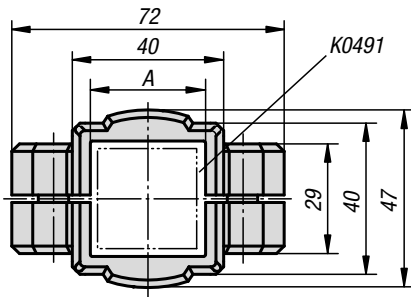
These straight clamps are for 30 mm square tubes. Use reducer sleeves K0491 if smaller tubes are to be clamped or a conversion from square to round tubes is required.

On request:

Plastic clamping levers for tightening.

Accessories:

- Reducer sleeves K0491
- Round and square tubes K0493



KIPP Tube clamps straight, plastic

| Order No. | A |
|-----------|----|
| K0481.30 | 30 |

Tube clamps straight

plastic



Material:

Thermoplastic.
DIN 7984 screws and DIN 985 nuts steel.

Version:

Black.
Screws and nuts electro zinc-plated.

Sample order:

K0483.18

Note:

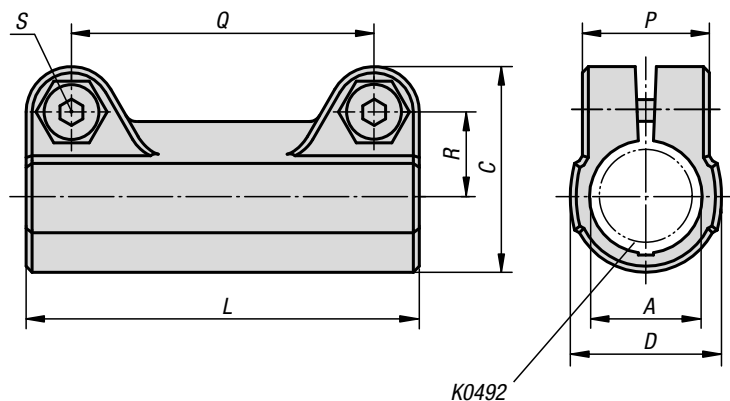
The standard size for round tubes is Ø18 mm or Ø30 mm. Use reducer sleeves K0492 if smaller tubes are to be clamped or a conversion from round to square tubes is required.

On request:

Plastic clamping levers for tightening.

Accessories:

- Reducer sleeves K0492
- Round and square tubes K0493

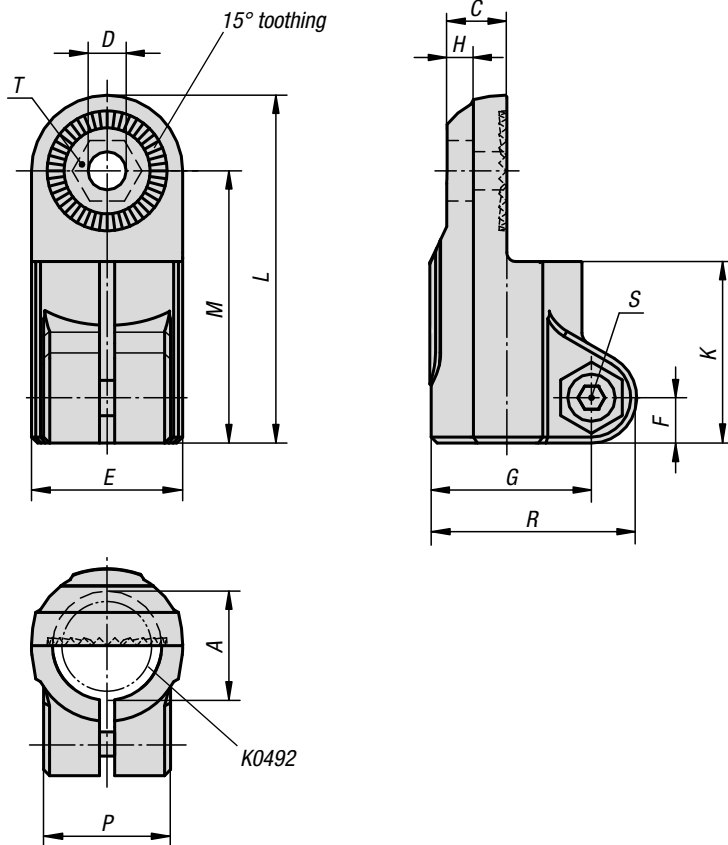


KIPP Tube clamps straight, plastic

| Order No. | A | C | D | L | P | Q | R | S |
|-----------|----|------|----|----|------|----|------|-------|
| K0483.18 | 18 | 34 | 25 | 65 | 21 | 50 | 14 | M6x18 |
| K0483.30 | 30 | 52,5 | 40 | 95 | 28,5 | 73 | 22,8 | M8x25 |

Tube clamps swivel half

sunken teeth, plastic



Material:

Thermoplastic.
DIN 7984 screws and DIN 985 nuts steel.

Version:

Black.
Screws and nuts electro zinc-plated.

Sample order:

K0484.18

Note:

Swivel half clamps with sunken teeth can be combined with swivel half clamps with raised teeth (K0485) to make a complete swivel clamp. The standard size for round tubes is Ø18 mm or Ø30 mm. Use reducer sleeves K0492 if smaller tubes are to be clamped or a conversion from round to square tubes is required.

Assembly:

K0484.18 and K0485.18 can be combined using a DIN 985 M6 nut (K1148) and a DIN 6912 M6x18 cap screw (K1160).
K0484.30 and K0485.30 can be combined using a DIN 985 M8 nut (K1148) and a DIN 6912 M8x25 cap screw (K1160).

On request:

Plastic clamping levers for tightening.

Accessories:

- Reducer sleeves K0492
- Round and square tubes K0493

KIPP Tube clamps swivel half, sunken teeth, plastic

| Order No. | A | C | D | E | F | G | H | K | L | M | P | R | S | T |
|-----------|----|------|-----|----|-----|------|-----|----|------|----|------|------|-------|------------|
| K0484.18 | 18 | 9,9 | 6,1 | 25 | 7,5 | 26,5 | 5,9 | 30 | 57,5 | 45 | 21 | 34 | M6x18 | M6-DIN 985 |
| K0484.30 | 30 | 16,5 | 8,1 | 40 | 11 | 41,5 | 6,5 | 45 | 88 | 68 | 28,5 | 52,5 | M8x25 | M8-DIN 985 |

Tube clamps, swivel half

aluminium, with sunken teeth



Material:

Cast aluminium.
Screws and nuts steel.

Version:

Vibratory ground.
Screws and nuts electro zinc-plated.

Sample order:

K0484.516

Note:

Swivel half clamps with sunken teeth can be combined with swivel half clamps with raised teeth (K0485) to make a complete swivel clamp.

Max. torque when tightening the lockscrew:

M6: 10 Nm.

M8: 25 Nm.

M10: 50 Nm.

On request:

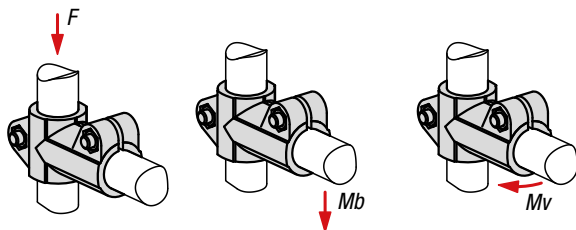
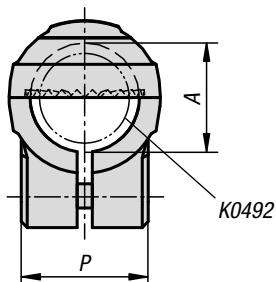
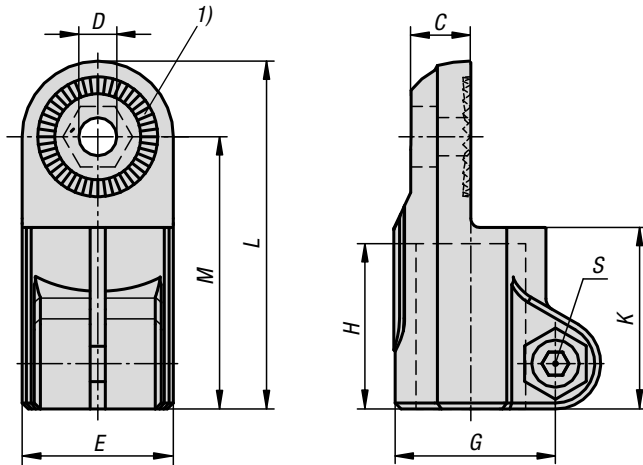
Clamping levers for tightening.

Accessories:

- Hex nut DIN 985
- Hex head bolt DIN 933
- Cap screw DIN 6912

Drawing reference:

1) 15° toothing



Retaining force (kN)

Flexural torque (Nm)

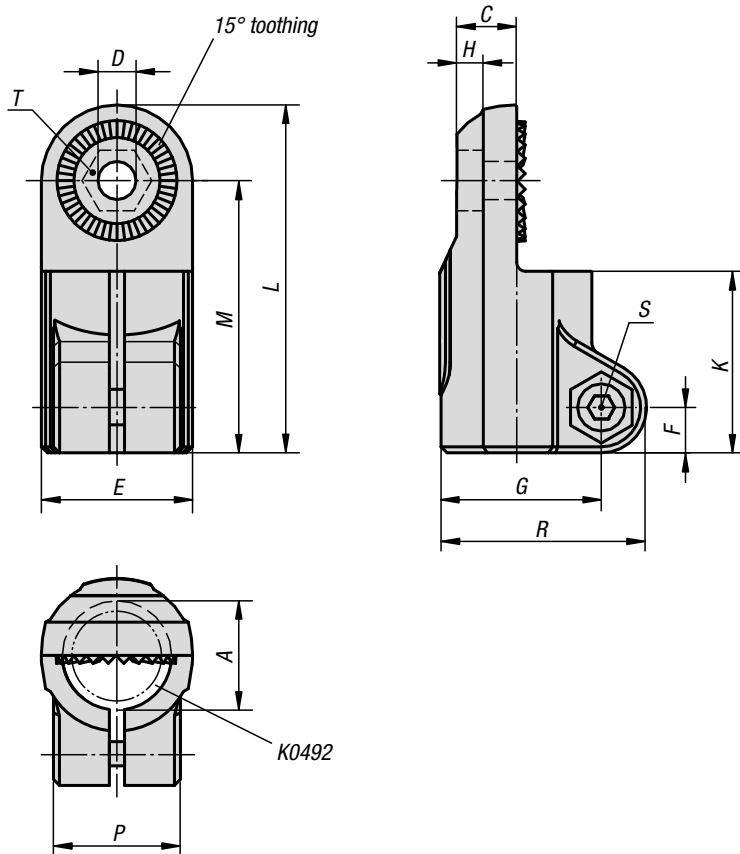
Torsional torque (Nm)

KIPP Tube clamps, swivel half, aluminium, with sunken teeth

| Order No. | A | C | D | E | G | H | K | L | M | P | S | F kN | Mb (Nm) | Mv (Nm) |
|-----------|------|------|-----|----|------|----|----|-----|-----|----|-----|---------|---------|---------|
| K0484.512 | 12,1 | 10,5 | 7,5 | 26 | 29,4 | 25 | 30 | 57 | 44 | 21 | M6 | 3,6 | 28 | 9 |
| K0484.514 | 14,1 | 10,5 | 7,5 | 26 | 29,4 | 25 | 30 | 57 | 44 | 21 | M6 | 3,6 | 28 | 9 |
| K0484.516 | 16,1 | 10,5 | 7,5 | 26 | 29,4 | 25 | 30 | 57 | 44 | 21 | M6 | 3,6 | 28 | 9 |
| K0484.518 | 18,1 | 10,5 | 7,5 | 26 | 29,4 | 25 | 30 | 57 | 44 | 21 | M6 | 3,6 | 28 | 9 |
| K0484.520 | 20 | 16 | 9 | 40 | 40 | 45 | 50 | 93 | 73 | 33 | M8 | 4,9 | 91 | 94 |
| K0484.525 | 25,1 | 16 | 9 | 40 | 40 | 45 | 50 | 93 | 73 | 33 | M8 | 4,9 | 91 | 94 |
| K0484.530 | 30,1 | 16 | 9 | 40 | 40 | 45 | 50 | 93 | 73 | 33 | M8 | 4,9 | 91 | 94 |
| K0484.540 | 40,2 | 22 | 11 | 56 | 56 | 60 | 68 | 128 | 100 | 48 | M10 | 6 | 267 | 181 |

Tube clamps swivel half

raised teeth, plastic



Material:

Thermoplastic.
DIN 7984 screws and DIN 985 nuts steel.

Version:

Black.
Screws and nuts electro zinc-plated.

Sample order:

K0485.18

Note:

Swivel half clamps with raised teeth can be combined with swivel half clamps with sunken teeth (K0484, K0486 or K0487) to make a complete swivel clamp.

The standard size for round tubes is $\varnothing 18$ mm or $\varnothing 30$ mm. Use reducer sleeves K0492 if smaller tubes are to be clamped or a conversion from round to square tubes is required.

Assembly:

K0485.18 and K0484.18 can be combined using a DIN 985 M6 nut (K1148) and a DIN 6912 M6x18 cap screw (K1160).

K0485.30 and K0484.30 can be combined using a DIN 985 M8 nut (K1148) and a DIN 6912 M8x25 cap screw (K1160).

On request:

Plastic clamping levers for tightening.

Accessories:

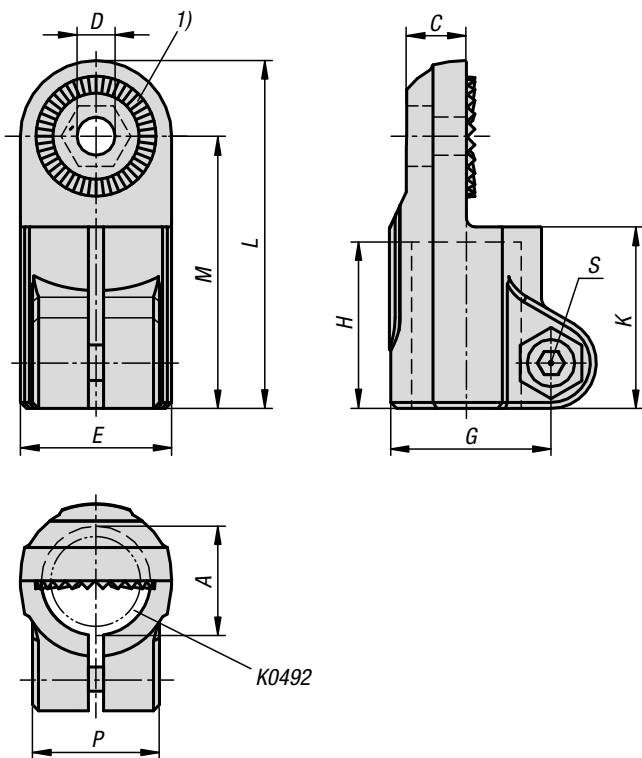
- Reducer sleeves K0492
- Round and square tubes K0493

KIPP Tube clamps swivel half, raised teeth, plastic

| Order No. | A | C | D | E | F | G | H | K | L | M | P | R | S | T |
|-----------|----|------|-----|----|-----|------|-----|----|------|----|------|------|-------|------------|
| K0485.18 | 18 | 9,9 | 6,1 | 25 | 7,5 | 26,5 | 5,9 | 30 | 57,5 | 45 | 21 | 34 | M6x18 | M6-DIN 985 |
| K0485.30 | 30 | 16,5 | 8,1 | 40 | 11 | 41,5 | 6,5 | 45 | 88 | 68 | 28,5 | 52,5 | M8x25 | M8-DIN 985 |

Tube clamps swivel half

aluminium, with raised teeth



Material:

Cast aluminium.
Screws and nuts steel.

Version:

Vibratory ground.
Screws and nuts electro zinc-plated.

Sample order:

K0485.516

Note:

Swivel half clamps with raised teeth can be combined with swivel half clamps with sunken teeth (K0484, K0486 or K0487) to make a complete swivel clamp.

Max. torque when tightening the lock screw:

M6: 10 Nm.

M8: 25 Nm.

M10: 50 Nm.

On request:

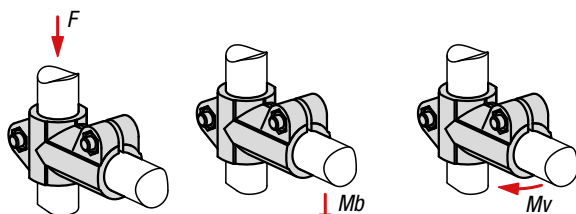
Clamping levers for tightening.

Accessories:

- Hex nut DIN 985
- Hex head bolt DIN 933
- Cap screw DIN 6912

Drawing reference:

1) 15° toothing



Retaining force (kN)

Flexural torque (Nm)

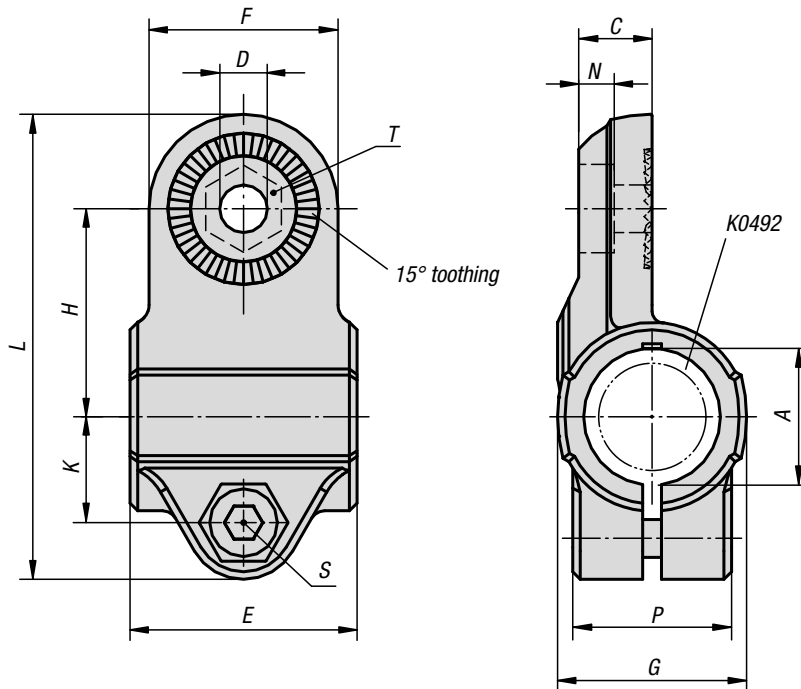
Torsional torque (Nm)

KIPP Tube clamps swivel half, aluminium, with raised teeth

| Order No. | A | C | D | E | G | H | K | L | M | P | S | F kN | Mb (Nm) | Mv (Nm) |
|-----------|------|------|-----|----|------|----|----|-----|-----|----|-----|---------|---------|---------|
| K0485.512 | 12,1 | 10,5 | 7,5 | 26 | 29,4 | 25 | 30 | 57 | 44 | 21 | M6 | 3,6 | 28 | 9 |
| K0485.514 | 14,1 | 10,5 | 7,5 | 26 | 29,4 | 25 | 30 | 57 | 44 | 21 | M6 | 3,6 | 28 | 9 |
| K0485.516 | 16,1 | 10,5 | 7,5 | 26 | 29,4 | 25 | 30 | 57 | 44 | 21 | M6 | 3,6 | 28 | 9 |
| K0485.518 | 18,1 | 10,5 | 7,5 | 26 | 29,4 | 25 | 30 | 57 | 44 | 21 | M6 | 3,6 | 28 | 9 |
| K0485.520 | 20 | 16 | 9 | 40 | 40 | 45 | 50 | 93 | 73 | 33 | M8 | 4,9 | 91 | 94 |
| K0485.525 | 25,1 | 16 | 9 | 40 | 40 | 45 | 50 | 93 | 73 | 33 | M8 | 4,9 | 91 | 94 |
| K0485.530 | 30,1 | 16 | 9 | 40 | 40 | 45 | 50 | 93 | 73 | 33 | M8 | 4,9 | 91 | 94 |
| K0485.540 | 40,2 | 22 | 11 | 56 | 56 | 60 | 68 | 128 | 100 | 48 | M10 | 6 | 267 | 181 |

Tube clamps swivel half

sunken teeth, plastic



Material:

Thermoplastic.
DIN 7984 screws and DIN 985 nuts steel.

Version:

Black.
Screws and nuts electro zinc-plated.

Sample order:

K0486.18

Note:

Swivel half clamps with sunken teeth can be combined with swivel half clamps with raised teeth (K0485) to make a complete swivel clamp.
The standard size for round tubes is Ø18 mm or Ø30 mm.
Use reducer sleeves K0492 if smaller tubes are to be clamped or a conversion from round to square tubes is required.

On request:

Plastic clamping levers for tightening.

Accessories:

- Reducer sleeves K0492
- Round and square tubes K0493

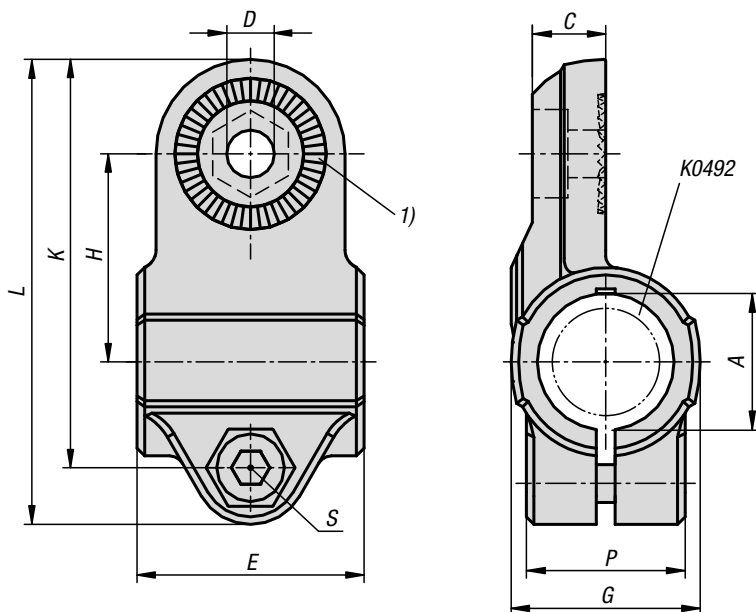


KIPP Tube clamps swivel half, sunken teeth, plastic

| Order No. | A | C | D | E | F | G | H | K | L | N | P | S | T |
|-----------|----|------|-----|----|----|----|------|------|------|-----|------|-------|------------|
| K0486.18 | 18 | 9,7 | 6,1 | 30 | 25 | 25 | 27,5 | 14 | 61,5 | 5,7 | 21 | M6x18 | M6-DIN 985 |
| K0486.30 | 30 | 16,5 | 8,1 | 45 | 40 | 40 | 43 | 22,5 | 95,5 | 6,5 | 28,5 | M8x25 | M8-DIN 985 |

Tube clamps, swivel half

aluminium, with sunken teeth



Material:

Cast aluminium.
Screws and nuts steel.

Version:

Vibratory ground.
Screws and nuts electro zinc-plated.

Sample order:

K0486.516

Note:

Swivel half clamps with sunken teeth can be combined with swivel half clamps with raised teeth (K0485) to make a complete swivel clamp.

Max. torque when tightening the lockscrow:

- M6: 10 Nm.
- M8: 25 Nm.
- M10: 50 Nm.

On request:

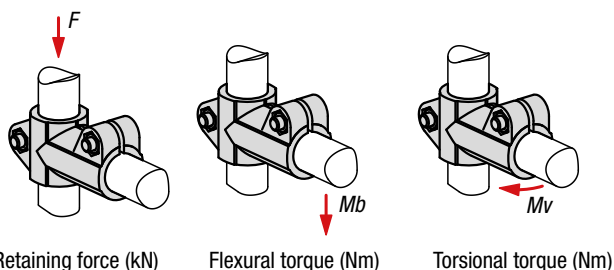
Clamping levers for tightening.

Accessories:

- Hex nut DIN 985
- Hex head bolt DIN 933
- Cap screw DIN 6912

Drawing reference:

1) 15° toothing

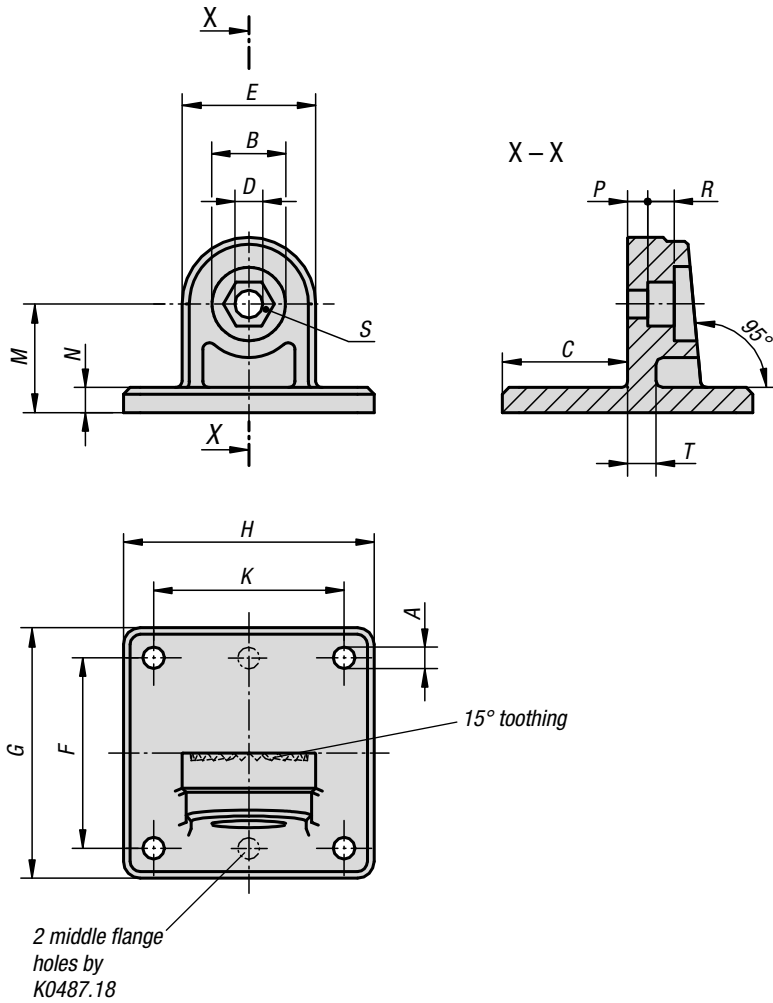


KIPP Tube clamps, swivel half, aluminium, with sunken teeth

| Order No. | A | C | D | E | G | H | K | L | P | S | F kN | Mb (Nm) | Mv (Nm) |
|-----------|------|------|-----|----|----|----|-----|------|----|-----|---------|---------|---------|
| K0486.512 | 12,1 | 10,5 | 7,5 | 30 | 26 | 27 | 56 | 64,5 | 21 | M6 | 2,7 | 38 | 15 |
| K0486.514 | 14,1 | 10,5 | 7,5 | 30 | 26 | 27 | 56 | 64,5 | 21 | M6 | 2,7 | 38 | 15 |
| K0486.516 | 16,1 | 10,5 | 7,5 | 30 | 26 | 27 | 56 | 64,5 | 21 | M6 | 2,7 | 38 | 15 |
| K0486.518 | 18,1 | 10,5 | 7,5 | 30 | 26 | 27 | 56 | 64,5 | 21 | M6 | 2,7 | 38 | 15 |
| K0486.520 | 20 | 16 | 9 | 40 | 40 | 43 | 85 | 93 | 33 | M8 | 6 | 133 | 85 |
| K0486.525 | 25,1 | 16 | 9 | 40 | 40 | 43 | 85 | 93 | 33 | M8 | 6 | 133 | 85 |
| K0486.530 | 30,1 | 16 | 9 | 40 | 40 | 43 | 85 | 93 | 33 | M8 | 6 | 133 | 85 |
| K0486.540 | 40,2 | 22 | 11 | 56 | 56 | 60 | 116 | 128 | 48 | M10 | 5,8 | 264 | 138 |

Tube clamps swivel base

sunken teeth, plastic



Material:

Thermoplastic.
DIN 7984 screws and DIN 985 nuts steel.

Version:

Black.
Screws and nuts electro zinc-plated.

Sample order:

K0487.18

Note:

Swivel clamp bases can be combined with swivel half clamps with raised teeth (K0485) to make a complete swivel clamp.

On request:

Plastic clamping levers for tightening.

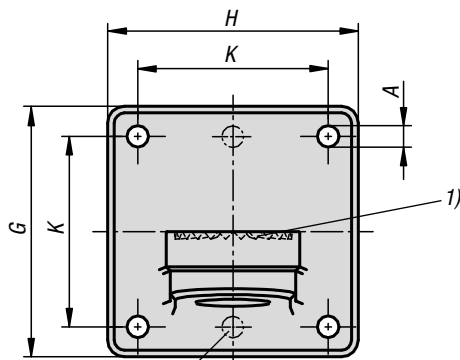
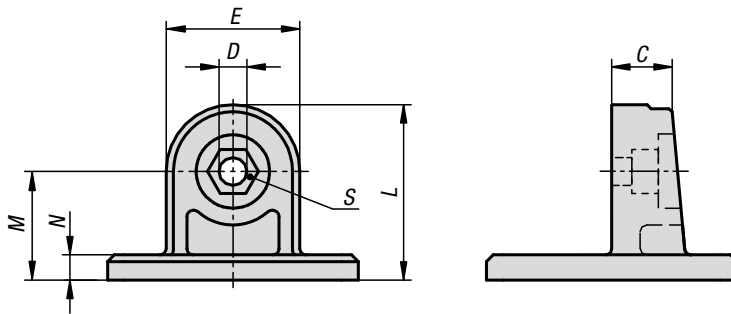


KIPP Tube clamps swivel base, sunken teeth, plastic

| Order No. | A | B | C | D | E | F | G | H | K | M | N | P | R | S | T |
|-----------|----------|----|------|-----|----|----|----|----|----|------|-----|-----|-----|------------|---|
| K0487.18 | 5,3 (2x) | 15 | 25 | 6,1 | 25 | 40 | 50 | 35 | - | 20 | 5 | 4,5 | 5,5 | M6-DIN 985 | 5 |
| K0487.30 | 6,5 (4x) | 22 | 37,5 | 8,1 | 40 | 60 | 75 | 75 | 60 | 32,5 | 7,5 | 6,6 | 8,2 | M8-DIN 985 | 7 |

Tube clamps swivel base

aluminium, with sunken teeth



2 middle flange holes by K0487.518

Material:

Cast aluminium.
Screws and nuts steel.

Version:

Vibratory ground.
Screws and nuts electro zinc-plated.

Sample order:

K0487.518

Note:

Swivel half clamps with sunken teeth can be combined with swivel half clamps with raised teeth (K0485) to make a complete swivel clamp.

Max. torque when tightening the lockscrew:

- M6: 10 Nm.
- M8: 25 Nm.
- M10: 50 Nm.

On request:

Clamping levers for tightening.

Accessories:

- Hex nut DIN 985
- Hex head bolt DIN 933
- Cap screw DIN 6912

Drawing reference:

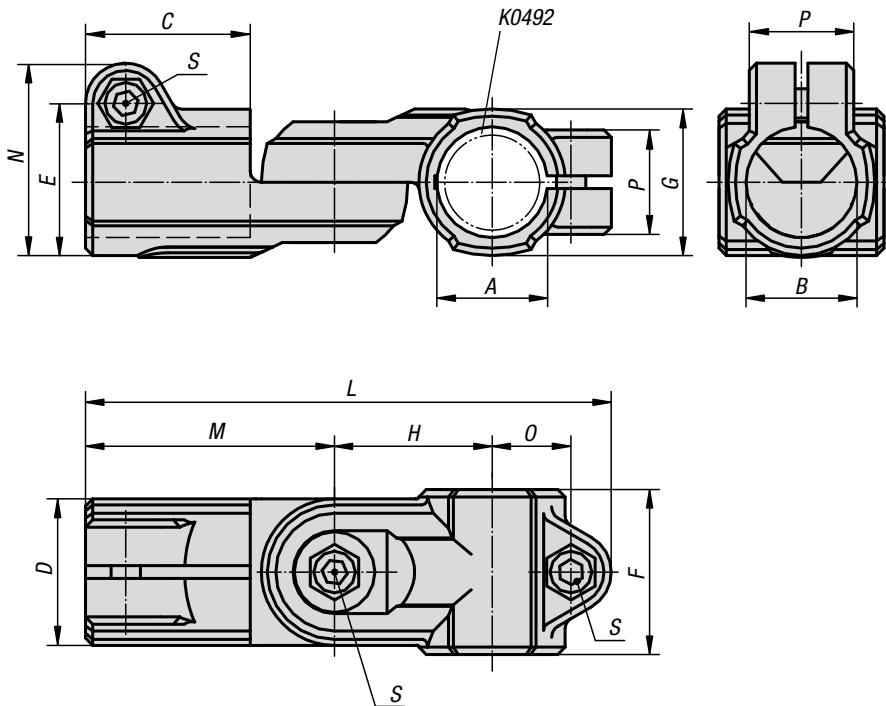
1) 15° toothing

KIPP Tube clamps swivel base, aluminium, with sunken teeth

| Order No. | A | C | D | E | G | H | K | L | M | N | S |
|-----------|----------|----|----|----|-----|-----|----|------|----|-----|-----|
| K0487.518 | 5,3 (2x) | 13 | 7 | 25 | 50 | 35 | 38 | 32,5 | 20 | 5 | M6 |
| K0487.530 | 6,5 (4x) | 16 | 9 | 40 | 75 | 75 | 57 | 52,5 | 33 | 7,5 | M8 |
| K0487.540 | 8,5 (4x) | 22 | 11 | 56 | 100 | 100 | 76 | 72 | 44 | 10 | M10 |

Tube clamps swivel

plastic



Material:

Thermoplastic.
DIN 7984 screws and DIN 985 nuts steel.

Version:

Black.
Screws and nuts electro zinc-plated.

Sample order:

K0488.18

Note:

Swivel tube clamps can be infinitely rotated through 180°. The standard size for round tubes is Ø18 mm or Ø30 mm. Use reducer sleeves K0492 if smaller tubes are to be clamped or a conversion from round to square tubes is required.

On request:

Plastic clamping levers for tightening.

Accessories:

- Reducer sleeves K0492
- Round and square tubes K0493

Attention:

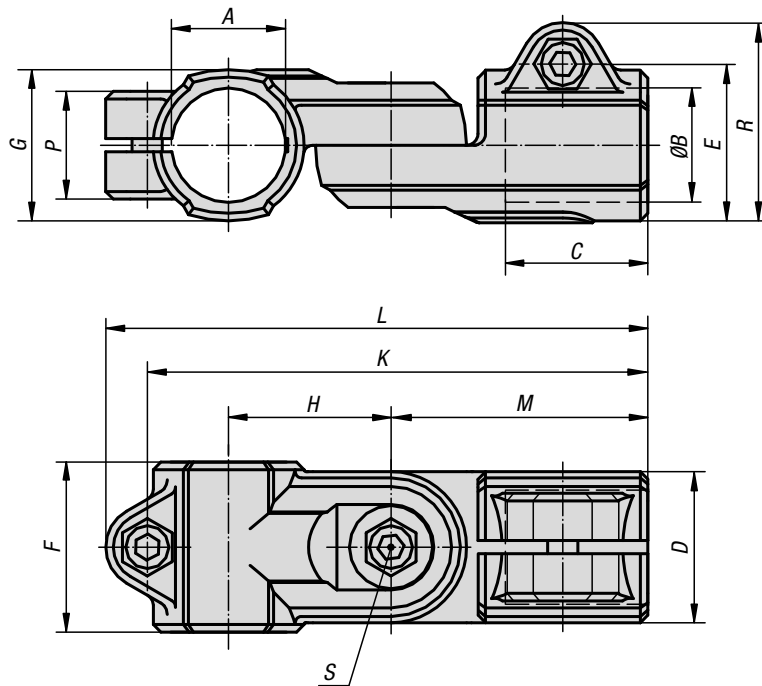
Tightening torque for clamping screws:
M6: 10 Nm
M8: 25 Nm

KIPP Tube clamps swivel, plastic

| Order No. | A | B | C | D | E | F | G | H | L | M | N | O | P | S |
|-----------|----|----|----|----|------|----|----|------|-------|----|------|------|------|-------|
| K0488.18 | 18 | 18 | 30 | 25 | 26,5 | 30 | 25 | 27,5 | 94 | 45 | 34 | 14 | 21 | M6x18 |
| K0488.30 | 30 | 30 | 45 | 40 | 41,5 | 45 | 40 | 43 | 143,5 | 68 | 52,5 | 22,5 | 28,5 | M8x25 |

Tube clamps swivel

aluminium



Material:

Cast aluminium.
DIN 7984 cap screws and DIN 985 hex nuts, steel.
From A = 20.1 DIN 931 hex head screws.

Version:

Vibratory ground.
Cap screw, hex head screw and hex nut.

Sample order:

K0488.518

Note:

Swivel tube clamps can be infinitely rotated through 180°.

On request:

Clamping levers for tightening and other diameters.

Accessories:

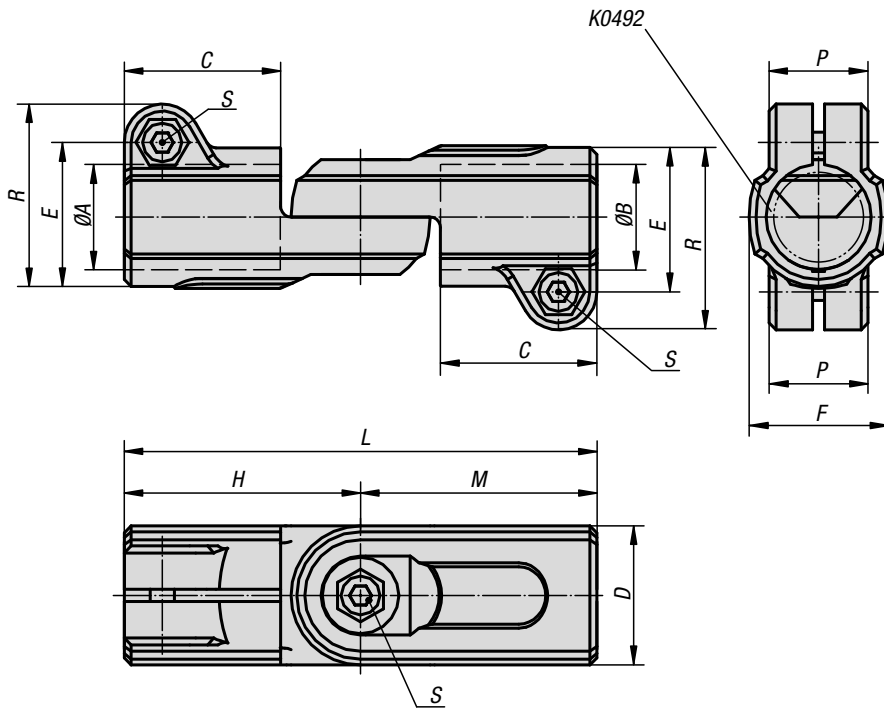
- Round and square tubes K0493

KIPP Tube clamps swivel, aluminium

| Order No. | A | B | C | D | E | F | G | H | K | L | M | P | R | S |
|-----------|------|------|----|----|------|----|----|----|-----|------|-----|----|------|--------|
| K0488.512 | 12,1 | 12,1 | 25 | 26 | 29,4 | 30 | 26 | 27 | 87 | 95,5 | 44 | 21 | 37,5 | M6x18 |
| K0488.514 | 14,1 | 14,1 | 25 | 26 | 29,4 | 30 | 26 | 27 | 87 | 95,5 | 44 | 21 | 37,5 | M6x18 |
| K0488.516 | 16,1 | 16,1 | 25 | 26 | 29,4 | 30 | 26 | 27 | 87 | 95,5 | 44 | 21 | 37,5 | M6x18 |
| K0488.518 | 18,1 | 18,1 | 25 | 26 | 29,4 | 30 | 26 | 27 | 87 | 95,5 | 44 | 21 | 37,5 | M6x18 |
| K0488.520 | 20,1 | 20,1 | 45 | 40 | 42 | 40 | 40 | 43 | 138 | 147 | 73 | 33 | 52 | M8x35 |
| K0488.525 | 25,1 | 25,1 | 45 | 40 | 42 | 40 | 40 | 43 | 138 | 147 | 73 | 33 | 52 | M8x35 |
| K0488.530 | 30,1 | 30,1 | 45 | 40 | 42 | 40 | 40 | 43 | 138 | 147 | 73 | 33 | 52 | M8x35 |
| K0488.540 | 40,2 | 40,2 | 60 | 56 | 57 | 56 | 56 | 60 | 188 | 200 | 100 | 48 | 69 | M10x50 |

Tube clamps swivel

plastic



Material:

Thermoplastic.
DIN 7984 screws and DIN 985 nuts steel.

Version:

Black.
Screws and nuts electro zinc-plated.

Sample order:

K0489.18

Note:

Swivel tube clamps can be infinitely rotated through 180°.

The standard size for round tubes is Ø18 mm or Ø30 mm. Use reducer sleeves K0492 if smaller tubes are to be clamped or a conversion from round to square tubes is required.

On request:

Plastic clamping levers for tightening.

Accessories:

- Reducer sleeves K0492
- Round and square tubes K0493

Attention:

Tightening torque for clamping screws:
M6: 10 Nm
M8: 25 Nm

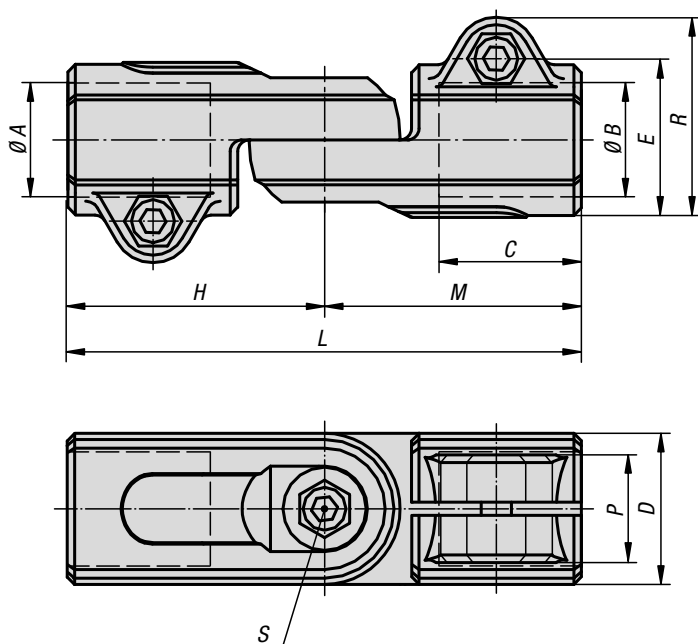


KIPP Tube clamps swivel, plastic

| Order No. | A | B | C | D | E | F | H | L | M | P | R | S |
|-----------|----|----|----|----|------|----|----|-----|----|------|------|-------|
| K0489.18 | 18 | 18 | 30 | 25 | 26,5 | 25 | 45 | 90 | 45 | 21 | 34 | M6x18 |
| K0489.30 | 30 | 30 | 45 | 40 | 41,5 | 40 | 68 | 136 | 68 | 28,5 | 52,5 | M8x25 |

Tube clamps swivel

aluminium



Material:

Cast aluminium.

ISO 4762 cap screws and ISO 4032 hexagon nuts, steel.

Steel ISO 4017 hex head bolts and DIN 985 hex nuts from Ø20.

Version:

Vibratory ground.

Screws and nuts electro zinc-plated.

Sample order:

K0489.540

Note:

Swivel tube clamps can be infinitely rotated through 180°.

On request:

Clamping levers for tightening and other diameters.

Accessories:

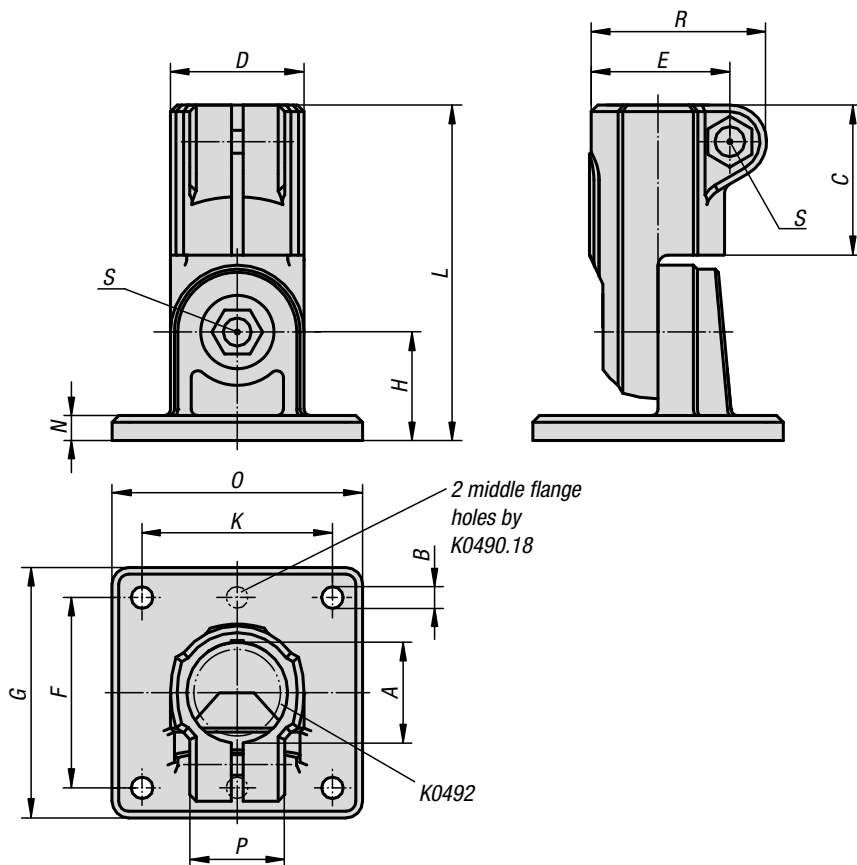
- Round and square tubes K0493

KIPP Tube clamps swivel, aluminium

| Order No. | A | B | C | D | E | H | L | M | P | R | S |
|-----------|-------|-------|----|----|------|-----|-----|-----|----|------|--------|
| K0489.512 | 12,1 | 12,1 | 25 | 26 | 29,4 | 44 | 88 | 44 | 21 | 37,5 | M6x18 |
| K0489.514 | 14,1 | 14,1 | 25 | 26 | 29,4 | 44 | 88 | 44 | 21 | 37,5 | M6x18 |
| K0489.516 | 16,1 | 16,1 | 25 | 26 | 29,4 | 44 | 88 | 44 | 21 | 37,5 | M6x18 |
| K0489.518 | 18,1 | 18,1 | 25 | 26 | 29,4 | 44 | 88 | 44 | 21 | 37,5 | M6x18 |
| K0489.520 | 20,1 | 20,1 | 45 | 40 | 40 | 73 | 146 | 73 | 33 | 51 | M8x35 |
| K0489.525 | 25,1 | 25,1 | 45 | 40 | 40 | 73 | 146 | 73 | 33 | 51 | M8x35 |
| K0489.530 | 30,1 | 30,1 | 45 | 40 | 40 | 73 | 146 | 73 | 33 | 51 | M8x35 |
| K0489.540 | 40,15 | 40,15 | 60 | 56 | 56 | 100 | 200 | 100 | 48 | 70 | M10x50 |

Tube clamps swivel base

plastic



Material:

Thermoplastic.
DIN 7984 screws and DIN 985 nuts steel.

Version:

Black.
Screws and nuts electro zinc-plated.

Sample order:

K0490.18

Note:

Tube swivel clamps can be infinitely rotated through 180°. The standard size for round tubes is Ø18 mm or Ø30 mm. Use reducer sleeves K0492 if smaller tubes are to be clamped or a conversion from round to square tubes is required.

On request:

Plastic clamping levers for tightening.

Accessories:

- Reducer sleeves K0492
- Round and square tubes K0493

Attention:

Tightening torque for clamping screws:
M6: 10 Nm
M8: 25 Nm

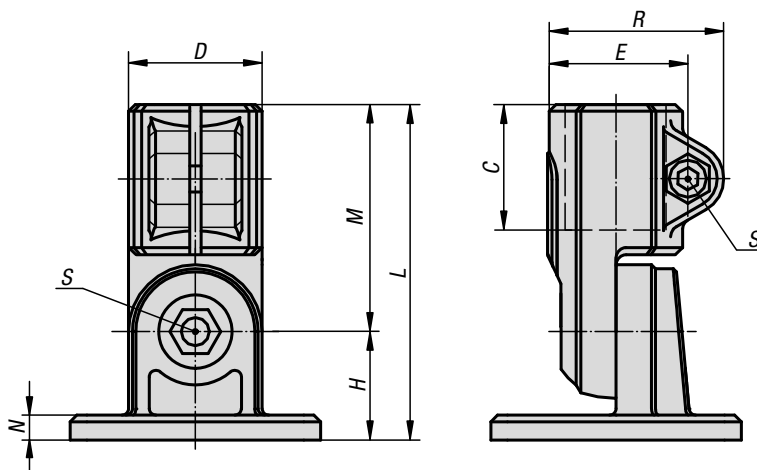


KIPP Tube clamps swivel base, plastic

| Order No. | A | B | C | D | E | F | G | H | K | L | N | O | P | R | S |
|-----------|----|----------|----|----|------|----|----|------|----|-------|-----|----|------|------|-------|
| K0490.18 | 18 | 5,3 (2x) | 30 | 25 | 26,5 | 40 | 50 | 20 | - | 65 | 5 | 35 | 21 | 34 | M6x18 |
| K0490.30 | 30 | 6,5 (4x) | 45 | 40 | 41,5 | 60 | 75 | 32,5 | 60 | 100,5 | 7,5 | 75 | 28,5 | 52,5 | M8x25 |

Tube clamps swivel base

aluminium



Material:

Cast aluminium.
DIN 7984 screws and DIN 985 nuts, steel.

Version:

Vibratory ground.
Screws and nuts electro zinc-plated.

Sample order:

K0490.518

Note:

Tube swivel clamps can be infinitely rotated through 180°.

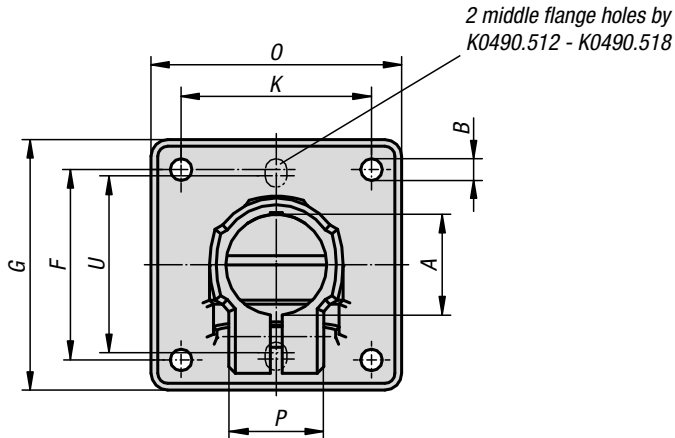
* Elongated hole

On request:

Clamping levers for tightening and other diameters.

Accessories:

- Round and square tubes K0493

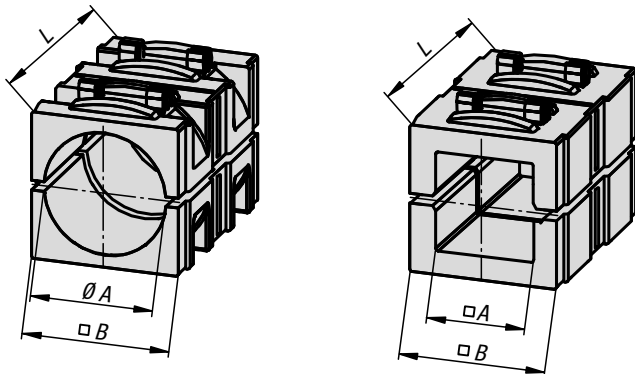


KIPP Tube clamps swivel base, aluminium

| Order No. | A | B | C | D | E | F | G | H | K | L | M | N | O | P | R | S | U |
|-----------|------|---------|----|----|------|----|-----|----|----|-----|-----|----|-----|----|------|--------|----|
| K0490.512 | 12,1 | 6* (2x) | 25 | 26 | 29,4 | 40 | 50 | 20 | - | 64 | 44 | 5 | 35 | 21 | 37,5 | M6x18 | 38 |
| K0490.514 | 14,1 | 6* (2x) | 25 | 26 | 29,4 | 40 | 50 | 20 | - | 64 | 44 | 5 | 35 | 21 | 37,5 | M6x18 | 38 |
| K0490.516 | 16,1 | 6* (2x) | 25 | 26 | 29,4 | 40 | 50 | 20 | - | 64 | 44 | 5 | 35 | 21 | 37,5 | M6x18 | 38 |
| K0490.518 | 18,1 | 6* (2x) | 25 | 26 | 29,4 | 40 | 50 | 20 | - | 64 | 44 | 5 | 35 | 21 | 37,5 | M6x18 | 38 |
| K0490.520 | 20,1 | 7* (4x) | 45 | 40 | 42 | 57 | 75 | 33 | 57 | 106 | 73 | 7 | 75 | 33 | 52 | M8x35 | - |
| K0490.525 | 25,1 | 7* (4x) | 45 | 40 | 42 | 57 | 75 | 33 | 57 | 106 | 73 | 7 | 75 | 33 | 52 | M8x35 | - |
| K0490.530 | 30,1 | 7* (4x) | 45 | 40 | 42 | 57 | 75 | 33 | 57 | 106 | 73 | 7 | 75 | 33 | 52 | M8x35 | - |
| K0490.540 | 40,2 | 9* (4x) | 60 | 56 | 57 | 76 | 100 | 44 | 76 | 144 | 100 | 10 | 100 | 48 | 69 | M10x50 | - |

Reducer sleeves

square



Material:
Thermoplastic.

Version:
black.

Sample order:
K0491.03020

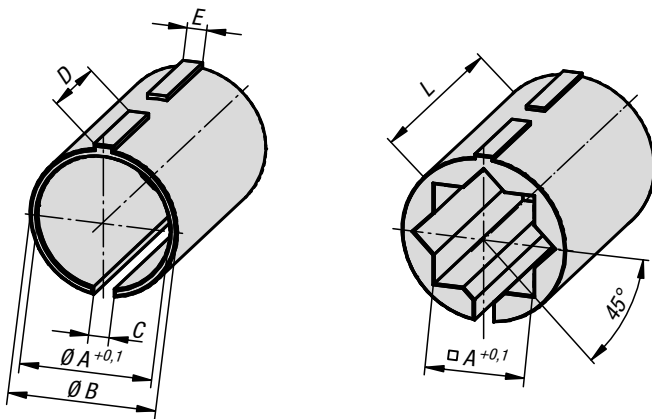
Note:
Reducer sleeves are for clamping smaller tubes or where a conversion of square to round tubes is required.

KIPP Reducer sleeves, square

| Order No. | Version 2 | A | B | L |
|-------------|------------------|---------|------|----|
| K0491.03020 | for round tubes | Ø 20,25 | 30,3 | 45 |
| K0491.03025 | for round tubes | Ø 25,25 | 30,3 | 45 |
| K0491.03030 | for round tubes | Ø 30,25 | 30,3 | 45 |
| K0491.13020 | for square tubes | 20,5 | 30,3 | 45 |
| K0491.13025 | for square tubes | 25,5 | 30,3 | 45 |

Reducer sleeves

round



Material:
Thermoplastic.

Version:
black.

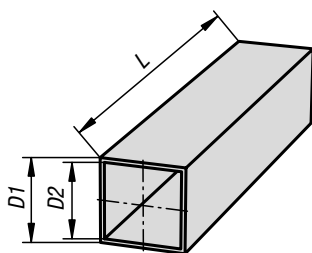
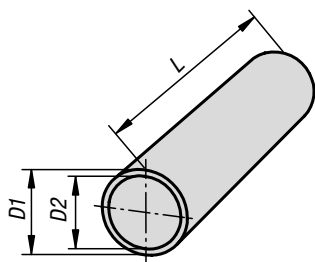
Sample order:
K0492.03020

Note:
Reducer sleeves are for clamping smaller tubes or where a conversion of round to square tubes is required.

KIPP Reducer sleeves, round

| Order No. | Version 2 | A | B | C | D | E | L |
|-------------|------------------|-------|----|-----|------|-----|----|
| K0492.01812 | for round tubes | 12,25 | 18 | 2,5 | 11,9 | 2,4 | 30 |
| K0492.01814 | for round tubes | 14,25 | 18 | 2,5 | 11,9 | 2,4 | 30 |
| K0492.01815 | for round tubes | 15,25 | 18 | 2,5 | 11,9 | 2,4 | 30 |
| K0492.01816 | for round tubes | 16,25 | 18 | 2,5 | 11,9 | 2,4 | 30 |
| K0492.03020 | for round tubes | 20,25 | 30 | 3,5 | 18,9 | 3,4 | 45 |
| K0492.03025 | for round tubes | 25,25 | 30 | 3,5 | 18,9 | 3,4 | 45 |
| K0492.11810 | for square tubes | 10,25 | 18 | 2,5 | 11,9 | 2,4 | 30 |
| K0492.13020 | for square tubes | 20,25 | 30 | 3,5 | 18,9 | 3,4 | 45 |

Round and square tubes



Material:
Steel 1.0037.
Aluminium EN AW-6060.

Version:
Steel electro zinc-plated.
Aluminium anodised.

Sample order:
K0493.0112X500 (include length L)

Note:
The machined tolerances of these round and square tubes are individually matched to the tube clamping system.

*Square aluminium size 10x10 are only available as solid bars.

On request:
- Custom cut length (L max. 5000 mm)
- Stainless steel tube (L max. 3000 mm)

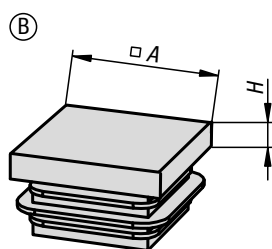
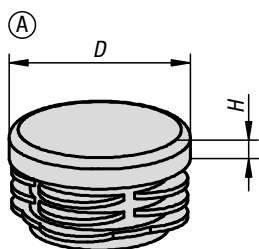
KIPP Round tubes

| Order No. | Main material | Description | D1 | D2 | L |
|-------------|---------------|-------------|----------|----|---------------|
| K0493.0112X | steel | Ø12 x 1,5 | 12 ±0,1 | 9 | 500/1000/2000 |
| K0493.0114X | steel | Ø14 x 1,5 | 14 ±0,1 | 11 | 500/1000/2000 |
| K0493.0115X | steel | Ø15 x 1,5 | 15 ±0,1 | 12 | 500/1000/2000 |
| K0493.0116X | steel | Ø16 x 1,5 | 16 ±0,1 | 13 | 500/1000/2000 |
| K0493.0118X | steel | Ø18 x 1,5 | 18 ±0,1 | 15 | 500/1000/2000 |
| K0493.0120X | steel | Ø20 x 2 | 20 ±0,1 | 16 | 500/1000/2000 |
| K0493.0125X | steel | Ø25 x 2 | 25 ±0,1 | 21 | 500/1000/2000 |
| K0493.0130X | steel | Ø30 x 2 | 30 ±0,1 | 26 | 500/1000/2000 |
| K0493.0140X | steel | Ø40 x 4 | 40 ±0,15 | 32 | 500/1000/2000 |
| K0493.0150X | steel | Ø50 x 4 | 50 ±0,2 | 42 | 500/1000/2000 |
| K0493.0220X | aluminium | Ø20 x 3 | 20 ±0,1 | 14 | 500/1000/2000 |
| K0493.0230X | aluminium | Ø30 x 2 | 30 ±0,1 | 26 | 500/1000/2000 |
| K0493.0240X | aluminium | Ø40 x 3 | 40 ±0,15 | 34 | 500/1000/2000 |
| K0493.0250X | aluminium | Ø50 x 3 | 50 ±0,2 | 44 | 500/1000/2000 |

KIPP Square tubes

| Order No. | Main material | Description | D1 | D2 | L |
|-------------|---------------|---------------|---------|----|---------------|
| K0493.4120X | steel | 20 x 20 x 1 | 20 ±0,3 | 18 | 500/1000/2000 |
| K0493.4125X | steel | 25 x 25 x 1,5 | 25 ±0,3 | 22 | 500/1000/2000 |
| K0493.4130X | steel | 30 x 30 x 2 | 30 ±0,3 | 26 | 500/1000/2000 |
| K0493.4140X | steel | 40 x 40 x 3 | 40 ±0,4 | 34 | 500/1000/2000 |
| K0493.4210X | aluminium | 10 x 10 | 10* | - | 500/1000/2000 |
| K0493.4220X | aluminium | 20 x 20 x 1,5 | 20 ±0,2 | 17 | 500/1000/2000 |
| K0493.4230X | aluminium | 30 x 30 x 2 | 30 ±0,2 | 26 | 500/1000/2000 |
| K0493.4240X | aluminium | 40 x 40 x 4 | 40 ±0,3 | 32 | 500/1000/2000 |

Tube end plugs



Material:
Polyethylene

Version:
black.

Sample order:
K0494.025200

Note:
These plugs are for corner protection and plugging the tube ends. They can be pushed in by hand or tapped in with a plastic hammer.



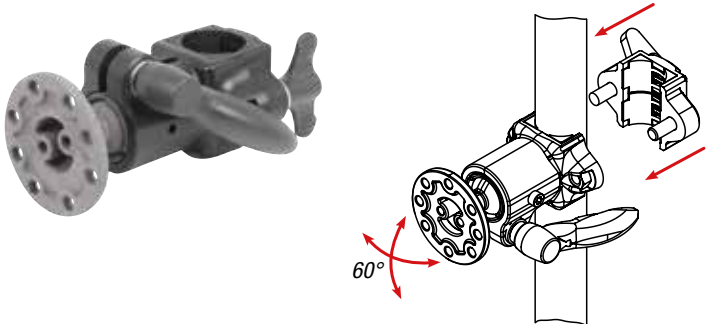
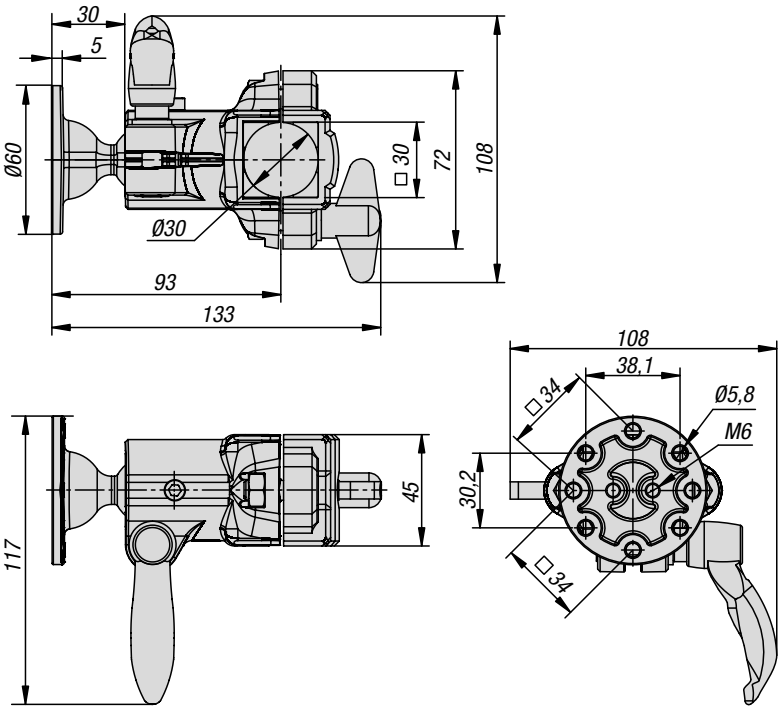
KIPP Tube end plugs

| Order No. | Form | Version 2 | A | D | H | Suitable for |
|--------------|------|-------------------|----|----|---|-----------------|
| K0494.018150 | A | for round tubes | - | 18 | 5 | Ø18x0,8-2 |
| K0494.020200 | A | for round tubes | - | 20 | 5 | Ø20 x 0,8-2,5 |
| K0494.025200 | A | for round tubes | - | 25 | 5 | Ø25 x 1-3 |
| K0494.030200 | A | for round tubes | - | 30 | 5 | Ø30 x 0,8-2,5 |
| K0494.040300 | A | for round tubes | - | 40 | 5 | Ø40 x 1-3 |
| K0494.040400 | A | for round tubes | - | 40 | 5 | Ø40 x 3-5 |
| K0494.050400 | A | for round tubes | - | 50 | 5 | Ø50 x 2,5-4,5 |
| K0494.420100 | B | for square tubing | 20 | - | 5 | 20 x 20 x 0,8-3 |
| K0494.425150 | B | for square tubing | 25 | - | 5 | 25 x 25 x 1-3 |
| K0494.430200 | B | for square tubing | 30 | - | 5 | 30 x 30 x 1-2,5 |
| K0494.440300 | B | for square tubing | 40 | - | 5 | 40 x 40 x 1-3 |
| K0494.440400 | B | for square tubing | 40 | - | 5 | 40 x 40 x 3-5 |

Monitor brackets



K1510.3000



Material:
High-strength material mix of thermoplastic/aluminium.



Version:
Black/bright.

Sample order:
K1510.3001

Note:
We offer three different basic brackets for industrial monitors and touch panels:

Compact:
space-saving, with a swivel range of 60°. For loads up to 10 kg (static). With universal mounting plate. The basic bracket is suitable for mounting on tubes size Ø30 mm or 30x30 mm. By using the optional reducer sleeve K0491 they can also be mounted on other sized tubes (Ø20 and Ø25 mm or 20x20 and 25x25 mm).

With rotary flange:
vibration-resistant, lockable monitor bracket with an angle adjustment of 90° in 15° increments. For monitors / control units up to 25 kg (static). With universal mounting plate. The basic bracket is suitable for mounting on tubes size Ø30 mm. By using the optional reducer sleeve K0492 they can also be mounted on other sized tubes (Ø20 and Ø25 mm or 20x20 mm).

With ball joint:
enables a swivel range of 60°. For loads up to 10 kg (static). With universal mounting plate. The basic bracket is suitable for mounting on tubes size Ø30 mm. By using the optional reducer sleeve K0492 they can also be mounted on other sized tubes (Ø20 and Ø25 mm or 20x20 mm).

Optional wall bracket, profile bracket, single/double support arms, tablet holder, keyboard tray or a VESA 50/75 or 75/100 connecting plate are available to offer various connections.

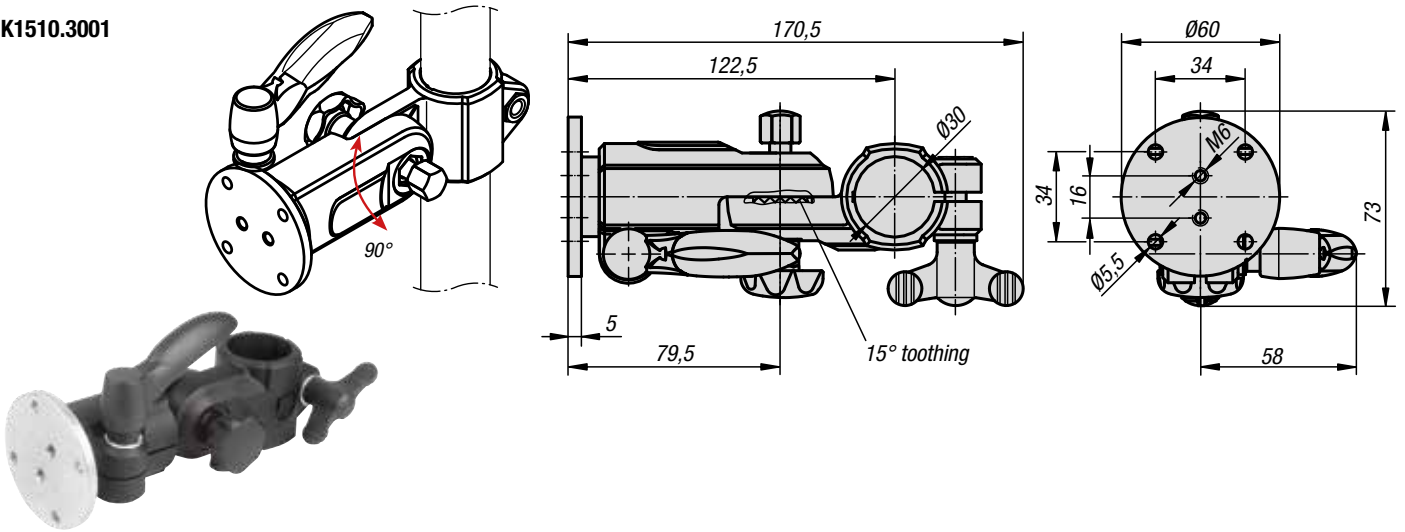
KIPP Monitor brackets

| Order No. | Image | Version 1 |
|--------------|-------|------------------------|
| K1510.3000 | | compact |
| K1510.3001 | | with rotary flange |
| K1510.3002 | | with ball joint |
| K1510.3003 | | wall bracket |
| K1510.3004 | | profile bracket |
| K1510.5075 | | VESA adapter plate |
| K1510.75100 | | VESA adapter plate |
| K1510.3010 | | support arm single |
| K1510.3012 | | support arm double |
| K1510.3014 | | support arm double |
| K1510.3016 | | support arm telescopic |
| K1510.3018 | | support arm telescopic |
| K1510.3020 | | keyboard tray |
| K1510.125200 | | tablet holder |

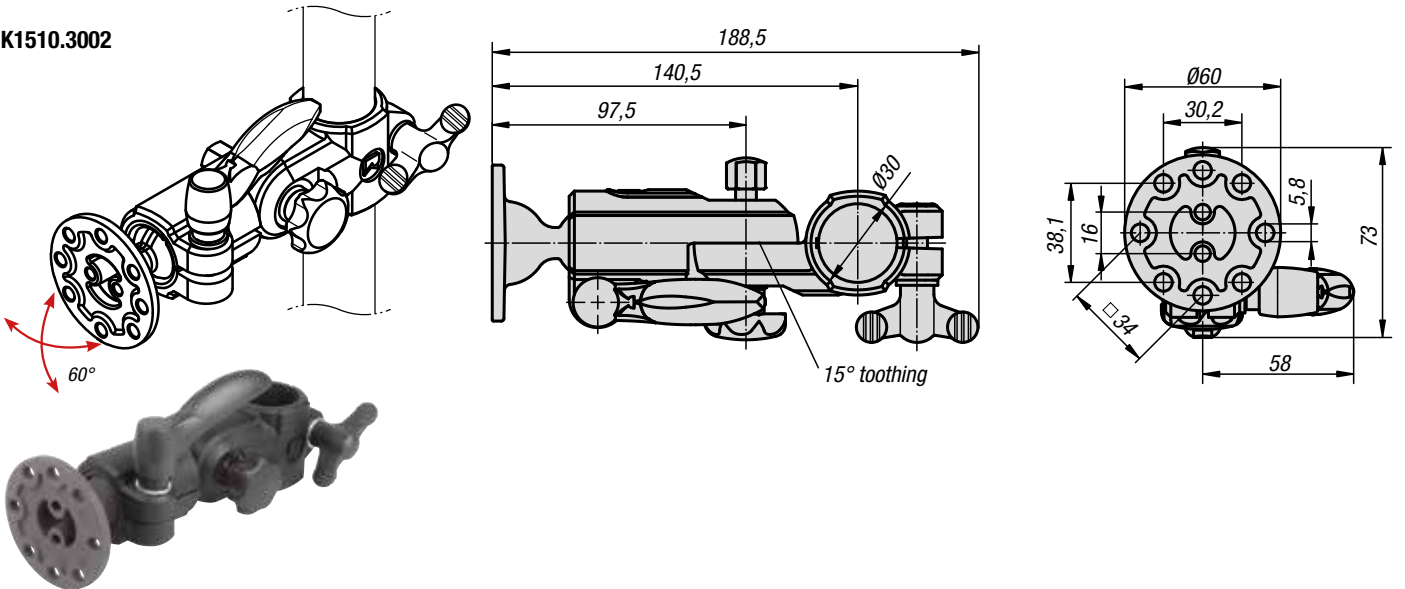
Monitor brackets



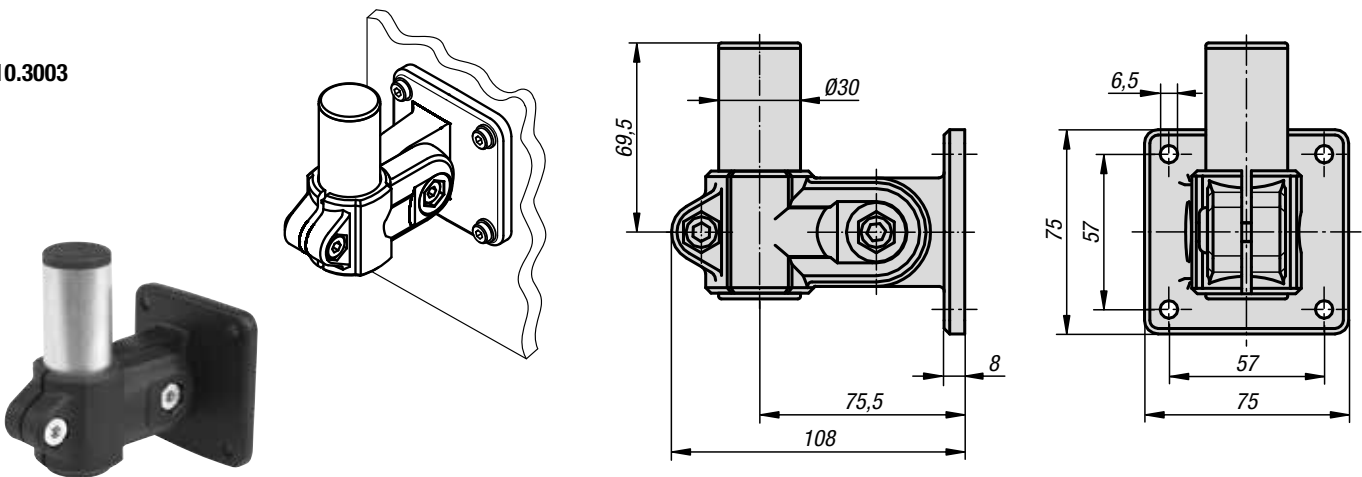
K1510.3001



K1510.3002



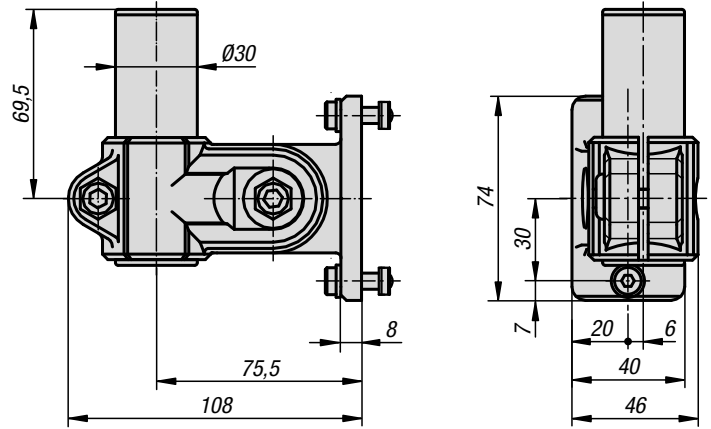
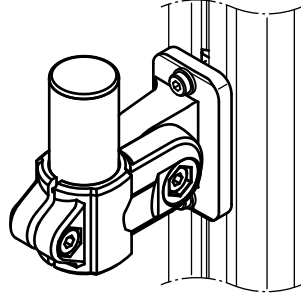
K1510.3003



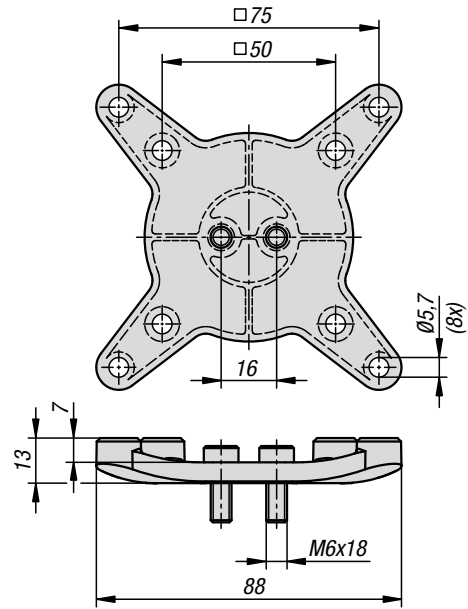
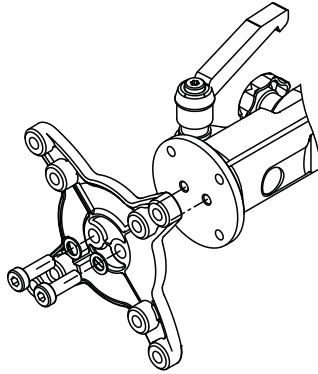
Monitor brackets



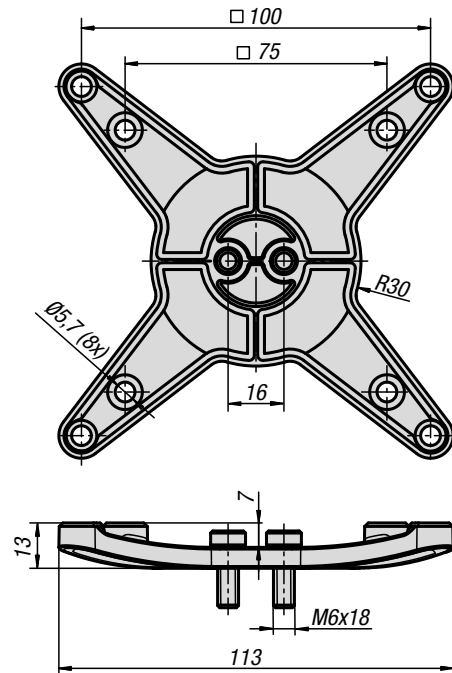
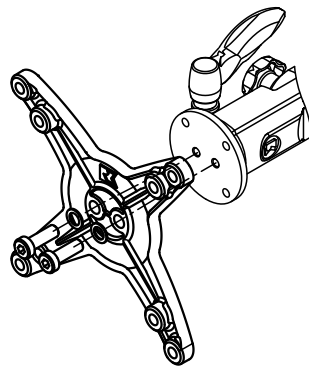
K1510.3004



K1510.5075



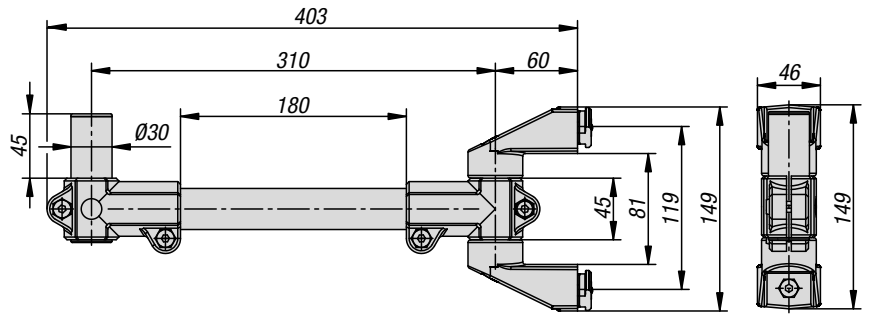
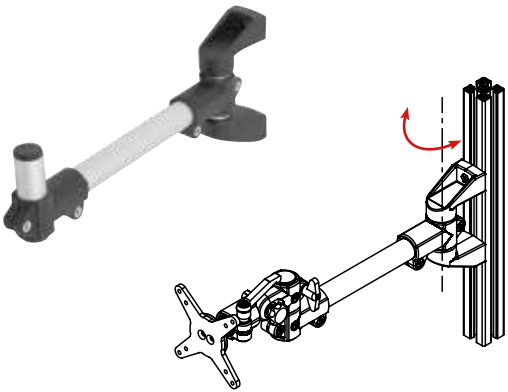
K1510.75100



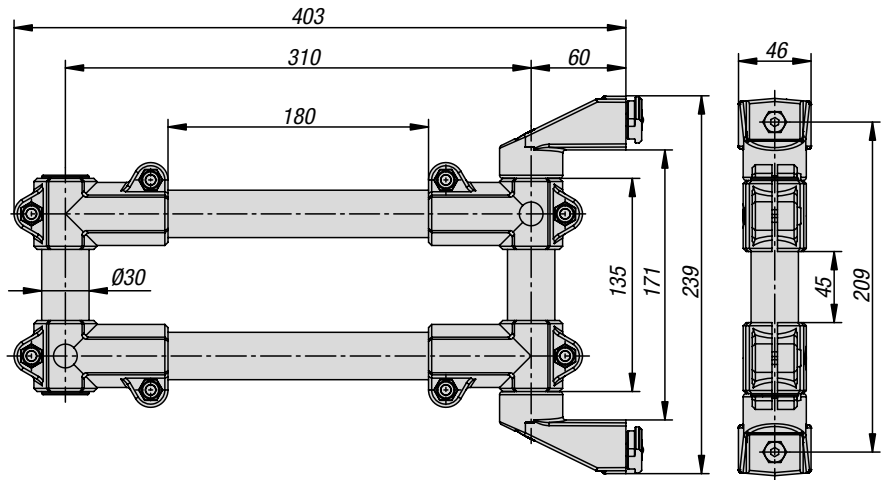
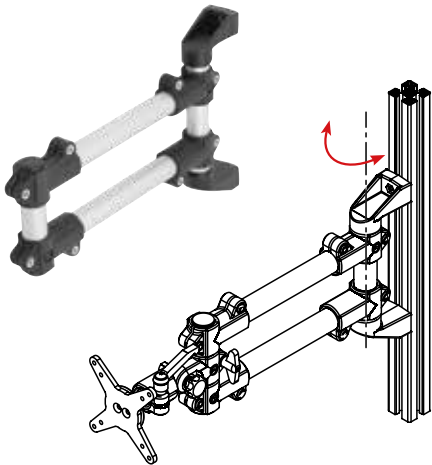
Monitor brackets



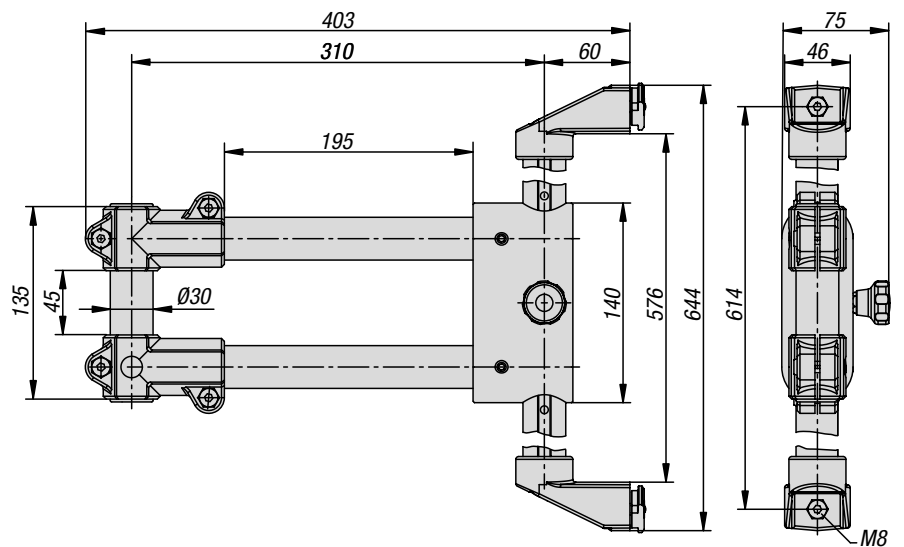
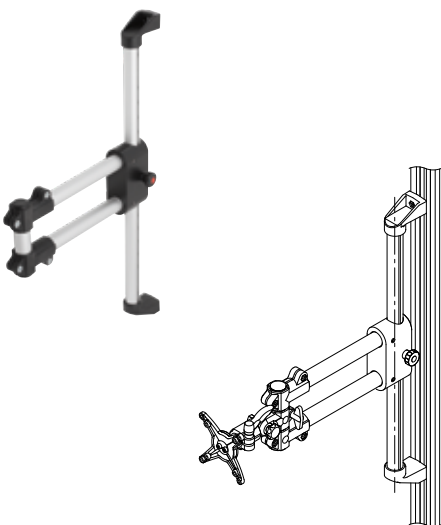
K1510.3010



K1510.3012



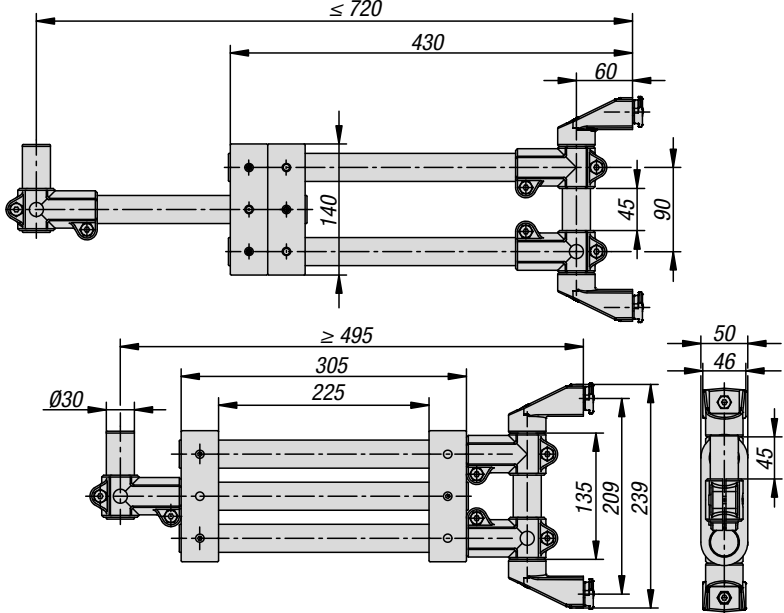
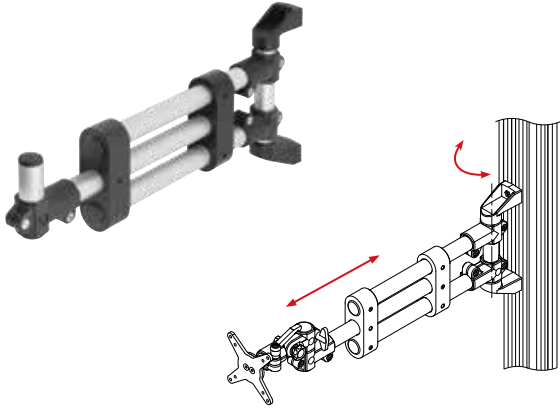
K1510.3014



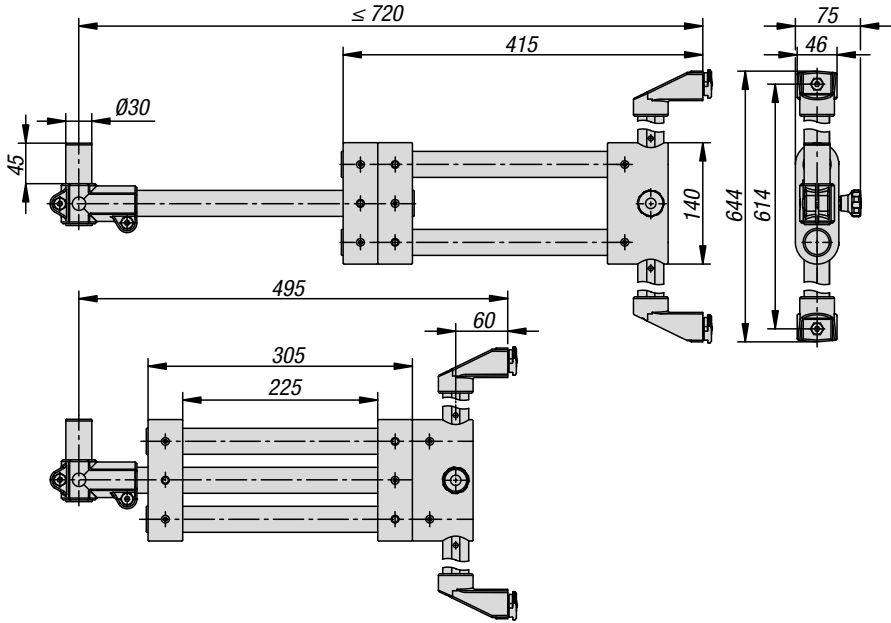
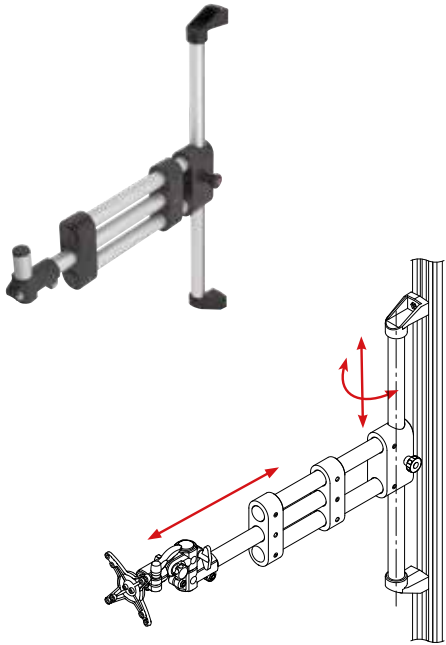
Monitor brackets



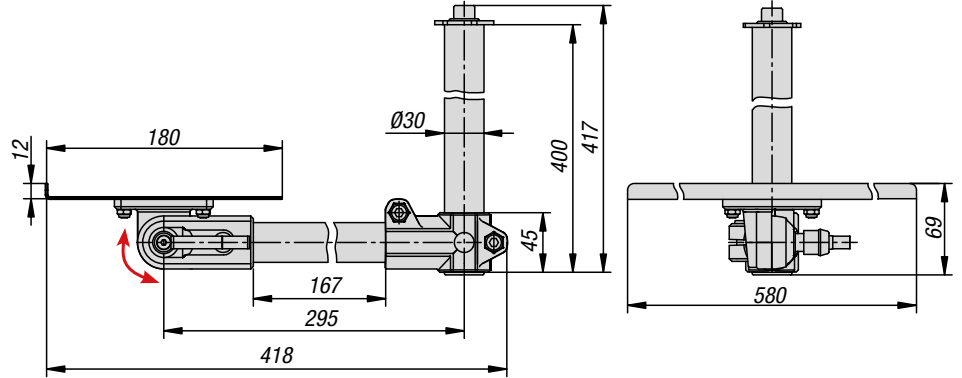
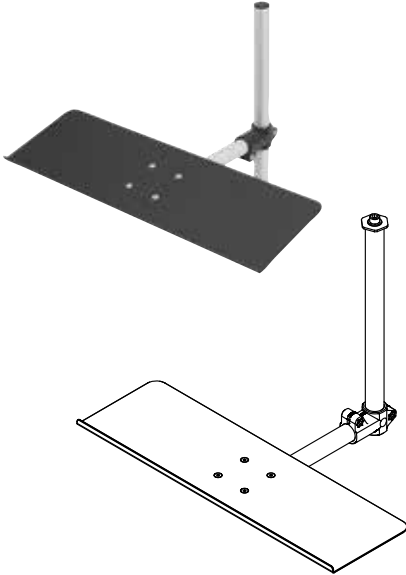
K1510.3016



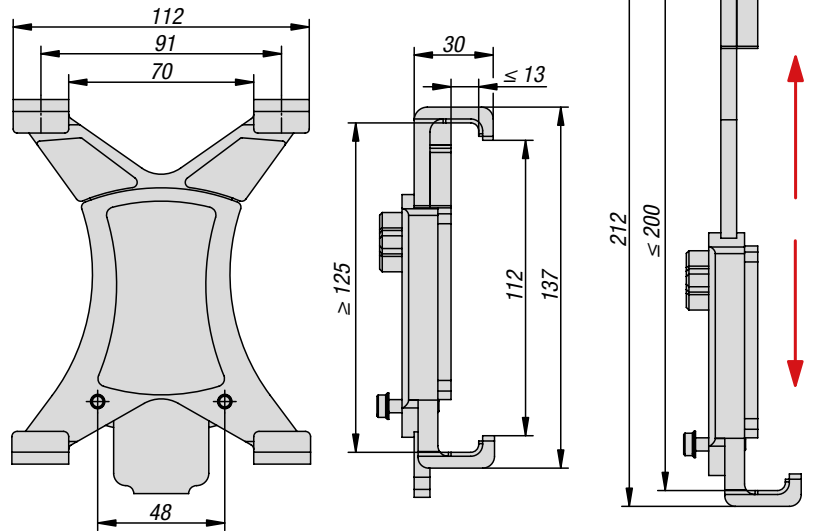
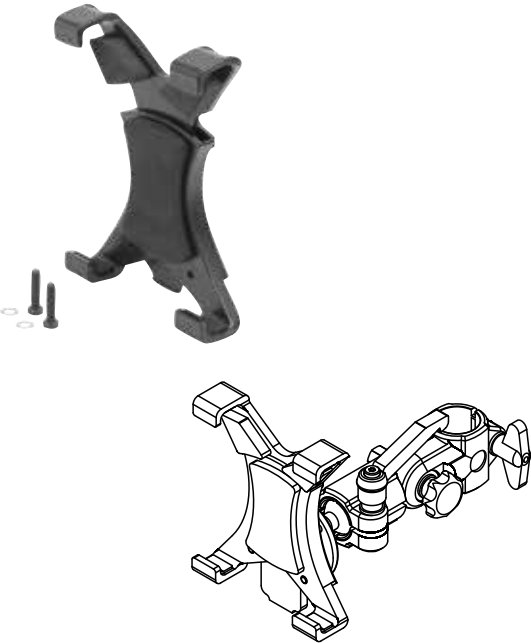
K1510.3018



K1510.3020

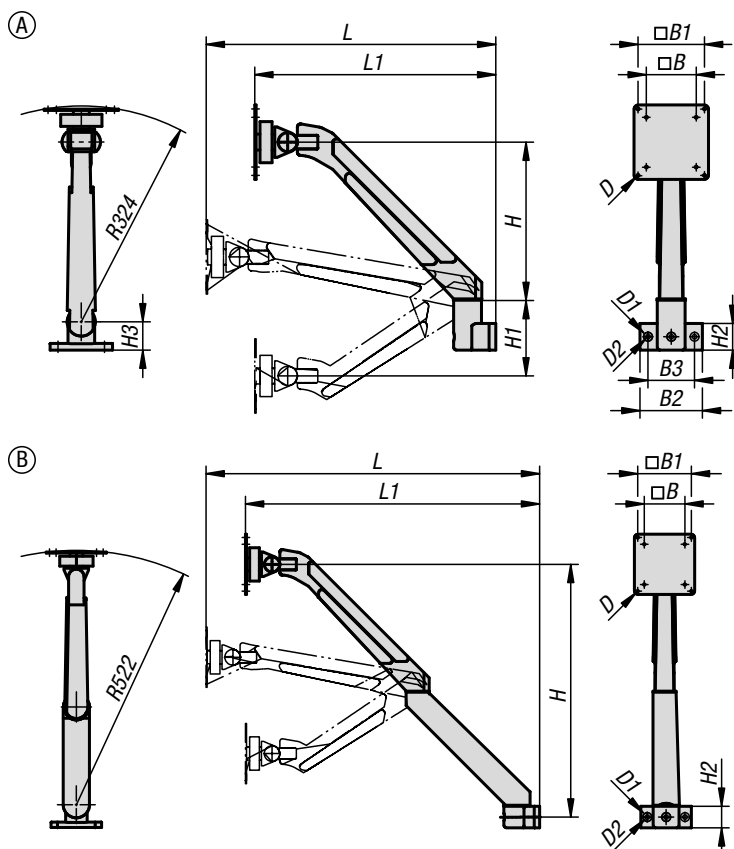


K1510.125200



Monitor brackets, aluminium, height adjustable

4 or 5 axis



Material:

Mounting plate steel/plastic.
Monitor bracket aluminium.
Bearing washers and sleeves plastic.
Mounting flange aluminium.
Mounting adapter aluminium.
Screws steel.

Version:

Mounting plate painted.
Monitor bracket painted.
Mounting flange painted.
Mounting adapter painted.
Screws electro zinc-plated.

Sample order:

K1792.4360

Note:

Screens weighing up to 10 kg can be attached to the monitor brackets and removed again as required without any effort. Furthermore, the height and the viewing angle of the monitor bracket arm can be adjusted. The mounted monitor can be rotated through 90°. The mounting plates of the monitor brackets are compatible with the VESA 75/100 standard.

Application:

With the help of the hex key, the force that has to be applied to adjust the various axis can be increased or decreased.

Supplied with:

4 axis monitor bracket:
1x VESA mounting plate including 4x M4x12 Phillips head screws.
1x 4 axis monitor bracket including covered cable guide.
1x DIN 6912 M8x25 assembly screw.
1x mounting adapter.
2x DIN 6912 M8x16 assembly screws.
1x 3mm hex key.
1x 4mm hex key.

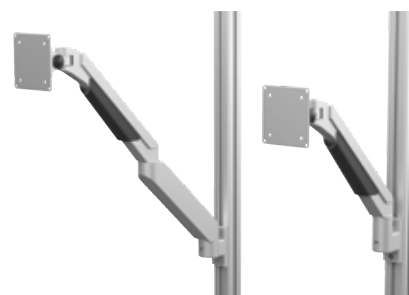
5 axis monitor bracket:

1x VESA mounting plate including 4x M4x12 Phillips head screws.
1x 5 axis monitor bracket including covered cable guide.
1x DIN 6912 M8x25 assembly screw.
1x mounting adapter.

2x DIN 6912 M8x16 assembly screws.
1x 3mm hex key.
1x 4mm hex key.

Monitor brackets, aluminium, height adjustable

4 or 5 axis



KIPP Monitor bracket, aluminium, height adjustable, 4 axis

| Order No. | Form | Form definition | B | B1 | B2 | B3 | D | D1 | D2 | H | H1 | H2 | H3 | L | L1 |
|-------------------|------|-----------------|----|-----|----|----|-----|------|----|-----|-----|----|----|-----|-----|
| K1792.4360 | A | 4 axis | 75 | 100 | 94 | 70 | 5,3 | 13,8 | 9 | 236 | 114 | 40 | 43 | 436 | 361 |

KIPP Monitor bracket, aluminium, height adjustable, 5 axis

| Order No. | Form | Form definition | B | B1 | B2 | B3 | D | D1 | D2 | H | H2 | L | L1 |
|-------------------|------|-----------------|----|-----|----|----|-----|------|----|-----|----|-----|-----|
| K1792.6341 | B | 5 axis | 75 | 100 | 94 | 70 | 5,3 | 13,8 | 9 | 464 | 40 | 634 | 560 |

Technical information on linear actuators



These linear actuators are efficient, economical and universally applicable. They ideally combine high rigidity, low deflection, high loads and easy handling. Four sizes are available for different applications and loads (tube sizes from Ø18 mm to Ø50 mm).

Features:

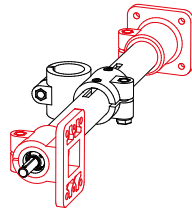
- Standard travel over 2000 mm possible
- Position accuracy up to ± 0.2 mm / 300 mm
- Travel speed up to 1.5 m/min
- Drive by trapezoid thread spindle
- Mounting position optional

Technical description:

In a tube, a threaded spindle mounted on bearings with guide nut converts a rotation into linear movement of a carriage. The nut has a carrier key to prevent it turning.

Mounting the linear actuator:

Depending on the mounting position and application, linear actuators can be mounted using our tube clamping elements.

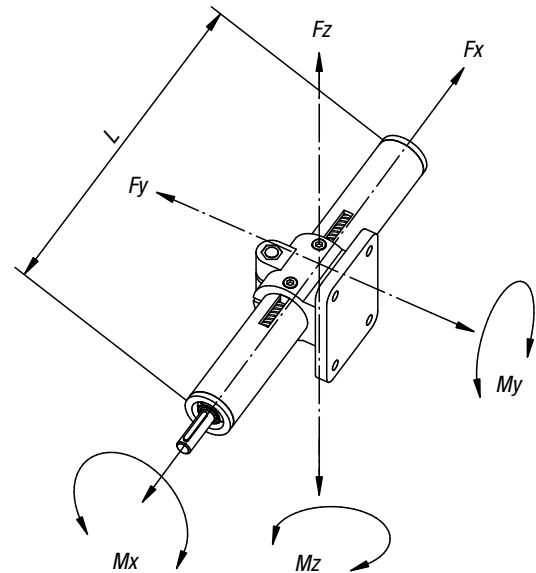


Load data*:

F force [N]

M moment [Nm]

I area moment of inertia [cm⁴]



Speed:

n = required spindle speed.

max. spindle speed with:
plain bearing 80 rpm.
ball bearing 250 rpm.

| Type E | Pitch mm |
|--------|----------|
| 18 | 2 |
| 30 | 3 |
| 40 | 4 |
| 50 | 4 |

$$n \text{ [rpm]} = \frac{\text{Speed [m/min]} \times 1000[\text{mm}]}{\text{Spindle pitch [mm]}}$$

| Length | Fx 500 | Fy 500 / 1000 / 1500 | Fz 500 / 1000 / 1500 |
|-----------|-----------|-------------------------|-------------------------|
| Type E 18 | 400 | 90 / 10 / - | 60 / 8 / - |
| Type E 30 | 800 | 500 / 60 / 10 | 500 / 50 / 9 |
| Type E 40 | 1000 | 2100 / 250 / 60 | 1900 / 140 / 50 |
| Type E 50 | 1700 | 3000 / 600 / 140 | 3000 / 600 / 140 |

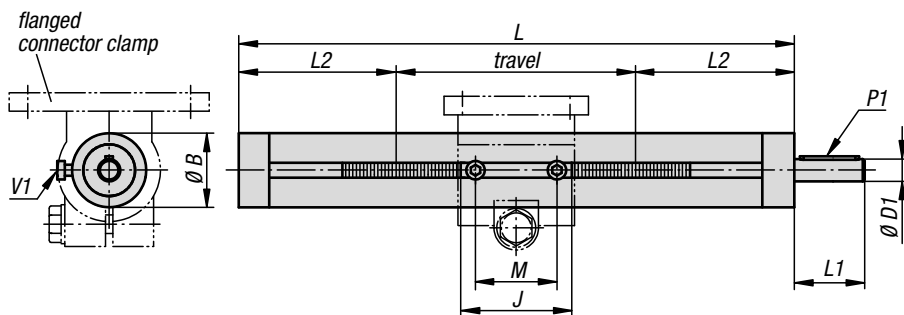
Idling torques:

| Type E | Spindle with slide bearing [Nm] | Spindle with ball bearings [Nm] |
|--------|---------------------------------|---------------------------------|
| 18 | - | 0,20 |
| 30 | 0,45 | 0,35 |
| 40 | 0,65 | 0,50 |
| 50 | 1,20 | 0,90 |

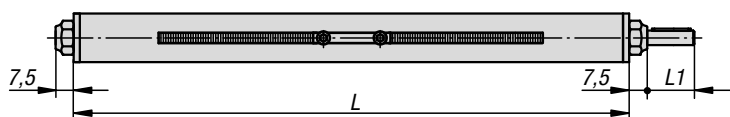
| Type E | Mx Nm | My Nm | Mz Nm | Iy | Iz |
|--------|----------|----------|----------|-------|-------|
| 18 | 1,5 | 4 | 4 | 0,22 | 0,27 |
| 30 | 6 | 15 | 15 | 1,34 | 1,56 |
| 40 | 14 | 40 | 40 | 4,58 | 5,24 |
| 50 | 30 | 65 | 65 | 11,31 | 12,32 |

* refers to guides (guide element deflection $f = 0.5$ mm, static, end elements supported)

Linear actuators



Linear actuator
K0495.18...



Material, version:

Precision tube DIN EN 10305, stainless steel 1.4301.
For type E 18, electro zinc-plated steel.
Trapezoid thread spindle steel, RH thread, rolled.

Sample order:

K0495.300001X500

Note:

Medium speed range, self-locking.

On request:

LH thread, stainless steel, 2 drive pins, other travel lengths, handwheels.

Accessories:

- Guide clamps K0496, K0497, K0498, K0499
- Tube clamps from our tube clamping system

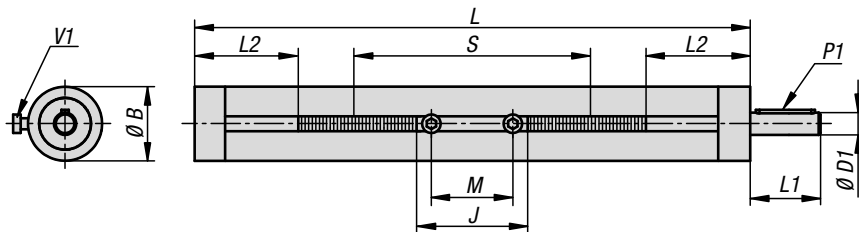
Functional principle:

A rotating movement of the threaded spindle is converted into a linear movement of the guide carriage.

KIPP Linear actuators

| Order No. | Version 1 | Type E | Spindle | L | Travel S | B | D1 | J | L1 | L2 | M | P1 parallel key DIN 6885 | V1 |
|-------------------|--------------------|--------|---------|------|----------|----|-------|----|----|-------|----|--------------------------------|-------|
| K0495.300001X300 | with plain bearing | 30 | Tr 14x3 | 300 | 100 | 30 | 8 h8 | 38 | 26 | 100 | 28 | 2 x 2 x 20 | M4x8 |
| K0495.300001X500 | with plain bearing | 30 | Tr 14x3 | 500 | 300 | 30 | 8 h8 | 38 | 26 | 100 | 28 | 2 x 2 x 20 | M4x8 |
| K0495.300001X800 | with plain bearing | 30 | Tr 14x3 | 800 | 600 | 30 | 8 h8 | 38 | 26 | 100 | 28 | 2 x 2 x 20 | M4x8 |
| K0495.400001X300 | with plain bearing | 40 | Tr 20x4 | 300 | 91 | 40 | 12 h8 | 55 | 38 | 104,5 | 44 | 4 x 4 x 32 | M6x10 |
| K0495.400001X500 | with plain bearing | 40 | Tr 20x4 | 500 | 291 | 40 | 12 h8 | 55 | 38 | 104,5 | 44 | 4 x 4 x 32 | M6x10 |
| K0495.400001X800 | with plain bearing | 40 | Tr 20x4 | 800 | 591 | 40 | 12 h8 | 55 | 38 | 104,5 | 44 | 4 x 4 x 32 | M6x10 |
| K0495.400001X1000 | with plain bearing | 40 | Tr 20x4 | 1000 | 791 | 40 | 12 h8 | 55 | 38 | 104,5 | 44 | 4 x 4 x 32 | M6x10 |
| K0495.500001X500 | with plain bearing | 50 | Tr 20x4 | 500 | 265 | 50 | 12 h8 | 63 | 38 | 117,5 | 44 | 4 x 4 x 32 | M6x10 |
| K0495.500001X800 | with plain bearing | 50 | Tr 20x4 | 800 | 565 | 50 | 12 h8 | 63 | 38 | 117,5 | 44 | 4 x 4 x 32 | M6x10 |
| K0495.500001X1000 | with plain bearing | 50 | Tr 20x4 | 1000 | 765 | 50 | 12 h8 | 63 | 38 | 117,5 | 44 | 4 x 4 x 32 | M6x10 |
| K0495.180101X300 | with ball bearing | 18 | Tr 10x2 | 300 | 145 | 18 | 6 h9 | 24 | 17 | 77,5 | 18 | 2 x 2 x 12 | M3x5 |
| K0495.180101X500 | with ball bearing | 18 | Tr 10x2 | 500 | 345 | 18 | 6 h9 | 24 | 17 | 77,5 | 18 | 2 x 2 x 12 | M3x5 |
| K0495.300101X300 | with ball bearing | 30 | Tr 14x3 | 300 | 100 | 30 | 8 h8 | 38 | 26 | 100 | 28 | 2 x 2 x 20 | M4x8 |
| K0495.300101X500 | with ball bearing | 30 | Tr 14x3 | 500 | 300 | 30 | 8 h8 | 38 | 26 | 100 | 28 | 2 x 2 x 20 | M4x8 |
| K0495.300101X800 | with ball bearing | 30 | Tr 14x3 | 800 | 600 | 30 | 8 h8 | 38 | 26 | 100 | 28 | 2 x 2 x 20 | M4x8 |
| K0495.400101X300 | with ball bearing | 40 | Tr 20x4 | 300 | 91 | 40 | 12 h8 | 55 | 38 | 104,5 | 44 | 4 x 4 x 32 | M6x10 |
| K0495.400101X500 | with ball bearing | 40 | Tr 20x4 | 500 | 291 | 40 | 12 h8 | 55 | 38 | 104,5 | 44 | 4 x 4 x 32 | M6x10 |
| K0495.400101X800 | with ball bearing | 40 | Tr 20x4 | 800 | 591 | 40 | 12 h8 | 55 | 38 | 104,5 | 44 | 4 x 4 x 32 | M6x10 |
| K0495.400101X1000 | with ball bearing | 40 | Tr 20x4 | 1000 | 791 | 40 | 12 h8 | 55 | 38 | 104,5 | 44 | 4 x 4 x 32 | M6x10 |
| K0495.500101X500 | with ball bearing | 50 | Tr 20x4 | 500 | 265 | 50 | 12 h8 | 63 | 38 | 117,5 | 44 | 4 x 4 x 32 | M6x10 |
| K0495.500101X800 | with ball bearing | 50 | Tr 20x4 | 800 | 565 | 50 | 12 h8 | 63 | 38 | 117,5 | 44 | 4 x 4 x 32 | M6x10 |
| K0495.500101X1000 | with ball bearing | 50 | Tr 20x4 | 1000 | 765 | 50 | 12 h8 | 63 | 38 | 117,5 | 44 | 4 x 4 x 32 | M6x10 |

Linear actuators, stainless steel



Material:

DIN EN 10305 precision tube, stainless steel 1.4301
Trapezoidal thread spindle, right-hand thread, rolled, stainless steel 1.4301

Sample order:

K0495.1300101X500

Note:

Medium speed range, self-locking.

Travel S = Length L – (2 x L2 + J).

On request:

Left-hand thread, 2 drive cones, other travels or handwheels.

Accessories:

- Guides, stainless steel, K0496, K0498, K0499
- Clamping elements of the tubular connection system

Functional principle:

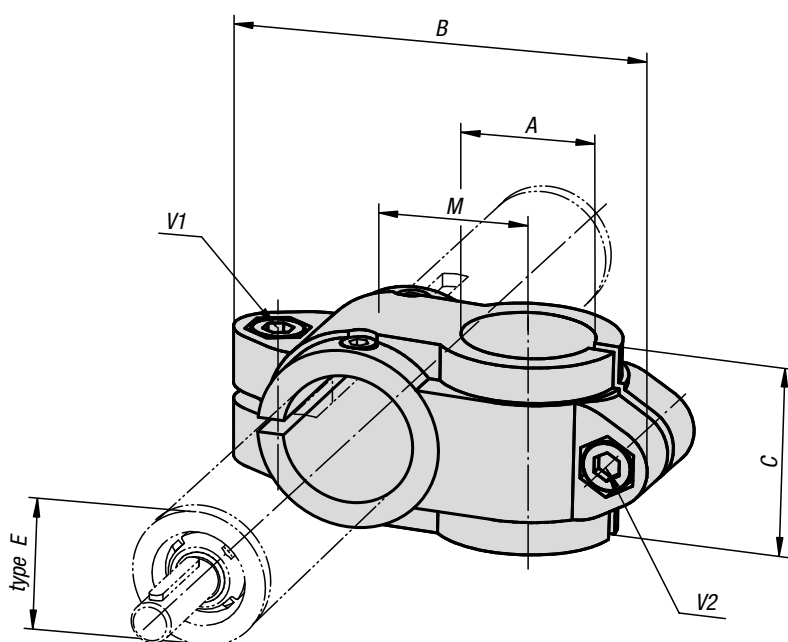
A rotating movement of the threaded spindle is converted into a linear movement of the guide carriage.

KIPP Linear actuators, stainless steel

| Order No. | Version 1 | Type E | Spindle | L | Travel S | B | D1 | J | L1 | L2 | M | P1 parallel key DIN 6885 | V1 |
|--------------------|-------------------|--------|---------|------|----------|----|-------|----|----|----|----|--------------------------------|-------|
| K0495.1300101X300 | with ball bearing | 30 | Tr 14x3 | 300 | 109 | 30 | 8 h8 | 31 | 26 | 80 | 22 | 2 x 2 x 20 | M4x8 |
| K0495.1300101X500 | with ball bearing | 30 | Tr 14x3 | 500 | 309 | 30 | 8 h8 | 31 | 26 | 80 | 22 | 2 x 2 x 20 | M4x8 |
| K0495.1300101X800 | with ball bearing | 30 | Tr 14x3 | 800 | 609 | 30 | 8 h8 | 31 | 26 | 80 | 22 | 2 x 2 x 20 | M4x8 |
| K0495.1400101X300 | with ball bearing | 40 | Tr 20x4 | 300 | 107 | 40 | 12 h8 | 39 | 38 | 77 | 28 | 4 x 4 x 32 | M6x10 |
| K0495.1400101X500 | with ball bearing | 40 | Tr 20x4 | 500 | 307 | 40 | 12 h8 | 39 | 38 | 77 | 28 | 4 x 4 x 32 | M6x10 |
| K0495.1400101X800 | with ball bearing | 40 | Tr 20x4 | 800 | 607 | 40 | 12 h8 | 39 | 38 | 77 | 28 | 4 x 4 x 32 | M6x10 |
| K0495.1400101X1000 | with ball bearing | 40 | Tr 20x4 | 1000 | 807 | 40 | 12 h8 | 39 | 38 | 77 | 28 | 4 x 4 x 32 | M6x10 |

Linear actuator connector clamps

cross



Material:

Cast aluminium.
DIN 7984 screws and DIN 985 nuts, steel.

Version:

Black powder-coated.
Screws and nuts electro zinc-plated.

Sample order:

K0496.1818

On request:

Clamping levers for tightening.



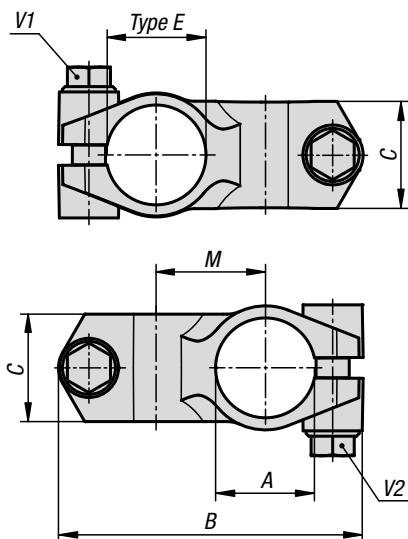
KIPP Linear actuator connector clamps, cross

| Order No. | Type E | A | B | C | M | V1 | V2 |
|------------|--------|----|-----|------|----|--------|--------|
| K0496.1818 | 18 | 18 | 66 | 25,5 | 20 | M6x16 | M6x16 |
| K0496.3020 | 30 | 20 | 99 | 40 | 33 | M8x25 | M8x25 |
| K0496.3030 | 30 | 30 | 99 | 40 | 33 | M8x25 | M8x25 |
| K0496.4020 | 40 | 20 | 109 | 40 | 36 | M10x30 | M8x25 |
| K0496.4040 | 40 | 40 | 137 | 60 | 45 | M10x30 | M10x30 |
| K0496.5040 | 50 | 40 | 154 | 70 | 54 | M10x35 | M10x35 |
| K0496.5050 | 50 | 50 | 154 | 70 | 54 | M10x35 | M10x35 |

Linear actuator connector clamps, stainless steel



cross



Material:

Stainless steel, investment cast 1.4308.
Screws, stainless steel A2.

Version:

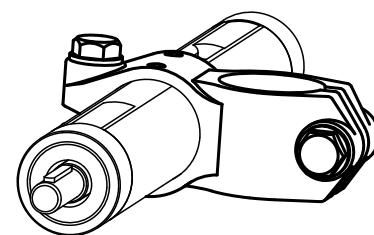
Electropolished.

Sample order:

K0496.13030

On request:

Clamping levers for tightening.

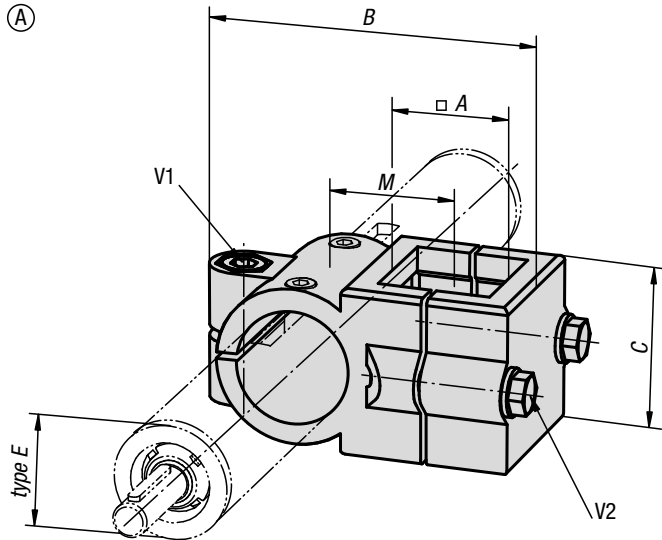


KIPP Linear actuator connector clamps, stainless steel, cross

| Order No. | Type E | A | B | C | M | V1 | V2 |
|-------------|--------|----|-----|------|----|--------|--------|
| K0496.13030 | 30 | 30 | 92 | 32,4 | 33 | M8x30 | M8x30 |
| K0496.14040 | 40 | 40 | 118 | 40 | 42 | M10x35 | M10x35 |

Linear actuator connector clamps

cross



Material:

Cast aluminium.
Screws and nuts steel.

Version:

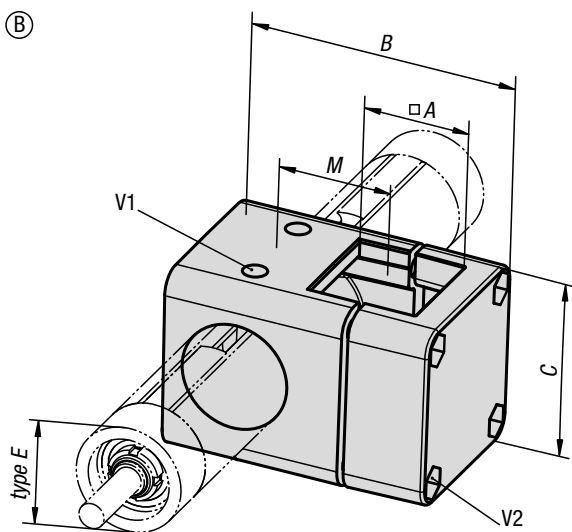
Black powder-coated.
Clamping screws and nuts electro zinc-plated.

Sample order:

K0497.4040

On request:

Clamping levers for tightening.

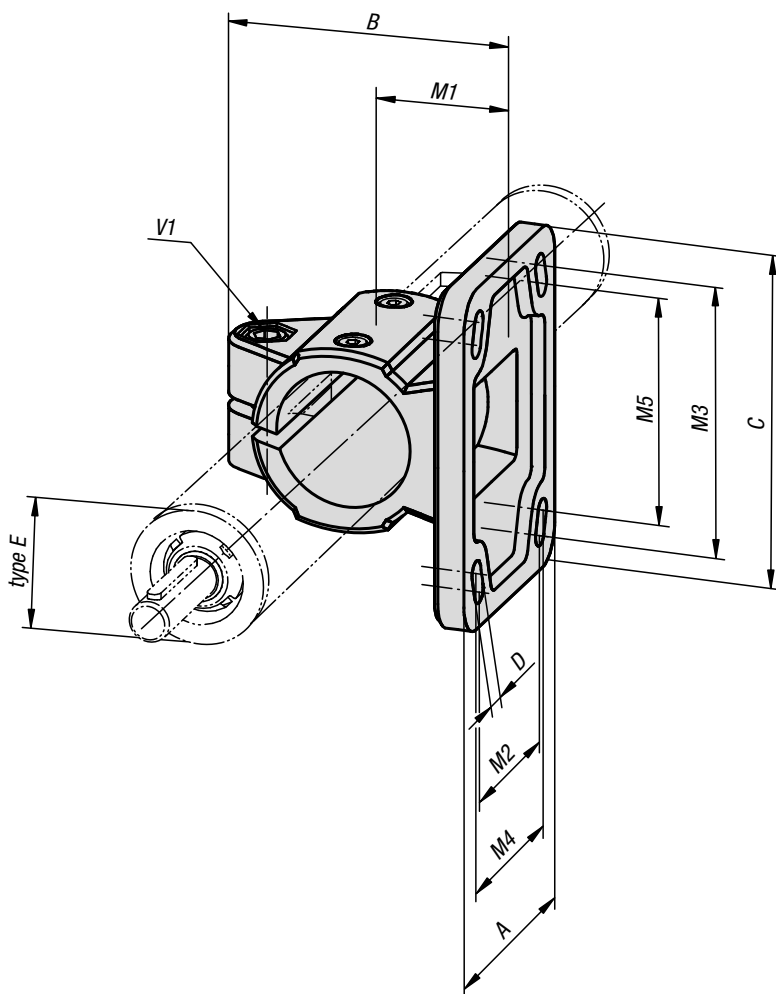


KIPP Linear actuator connector clamps, cross

| Order No. | Form | Type E | A | B | C | M | V1 | V2 |
|------------|------|--------|----|-----|----|----|--------|-------|
| K0497.3030 | A | 30 | 30 | 86 | 45 | 33 | M8x35 | M8x35 |
| K0497.4040 | A | 40 | 40 | 117 | 60 | 47 | M10x50 | M8x45 |
| K0497.5050 | B | 50 | 50 | 126 | 86 | 53 | M8x50 | M8x50 |

Linear actuator connector clamps

flange



Material:

Cast aluminium.
DIN 7984 screws and DIN 985 nuts, steel.

Version:

Black powder-coated.
Screws and nuts electro zinc-plated.

Sample order:

K0498.50

Note:

* Elongated hole

On request:

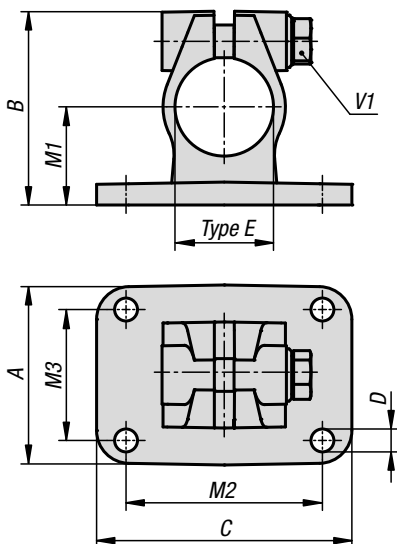
Clamping levers for tightening.

KIPP Linear actuator connector clamps, flange

| Order No. | Type E | A | B | C | D | M1 | M2 | M3 | M4 | M5 | V1 |
|-----------|--------|----|------|-----|------------|----|----|-----|----|----|--------|
| K0498.18 | 18 | 37 | 42,5 | 50 | 5,5 (2x) | 18 | - | 40 | - | - | M6x16 |
| K0498.30 | 30 | 55 | 63 | 78 | 6,5* (2x) | 30 | - | 60 | - | 53 | M8x25 |
| K0498.40 | 40 | 80 | 87 | 105 | 8,5* (4x) | 42 | 52 | 82 | 60 | 80 | M10x30 |
| K0498.50 | 50 | 92 | 100 | 130 | 10,5* (4x) | 50 | 60 | 100 | 62 | 98 | M10x35 |

Linear actuator connector clamps, stainless steel

flange



Material:

Stainless steel, investment cast 1.4308.
Screws, stainless steel A2.

Version:

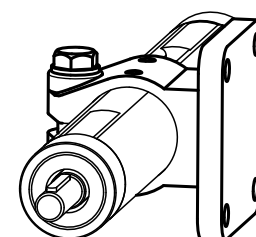
Electropolished.

Sample order:

K0498.130

On request:

Clamping levers for tightening.



KIPP Linear actuator connector clamps, stainless steel, flange

| Order No. | Type E | A | B | C | D | M1 | M2 | M3 | V1 |
|-----------|--------|----|----|----|---|----|----|----|--------|
| K0498.130 | 30 | 55 | 59 | 78 | 7 | 30 | 60 | 40 | M8x30 |
| K0498.140 | 40 | 80 | 80 | 80 | 9 | 42 | 60 | 60 | M10x35 |

Linear actuator connector clamps

base



Material:

Cast aluminium.
DIN 7984 screws and DIN 985 nuts, steel.

Version:

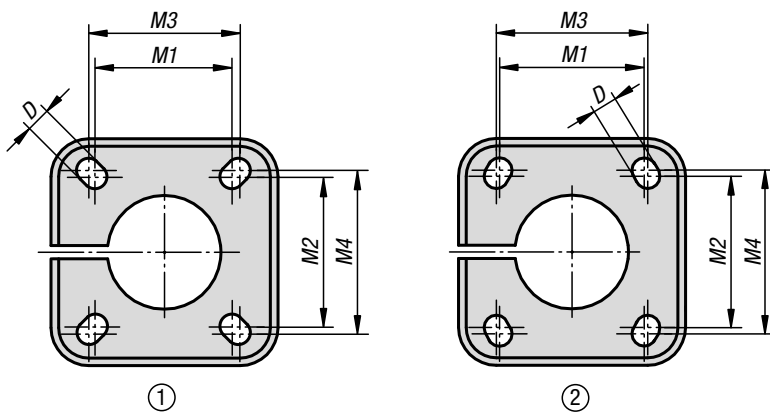
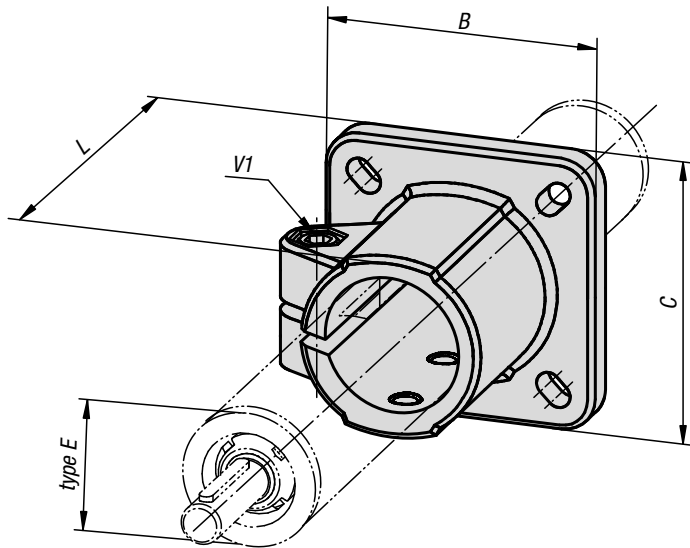
Black powder-coated.
Screws and nuts electro zinc-plated.

Sample order:

K0499.30

On request:

Clamping levers for tightening.



KIPP Linear actuator connector clamps base

| Order No. | hole arrangement | Type E | B | C | D | L | M1 | M2 | M3 | M4 | V1 |
|-----------|------------------|--------|-----|-----|------|----|----|----|----|----|--------|
| K0499.18 | 1 | 18 | 42 | 42 | 5,5 | 37 | 28 | 28 | 30 | 30 | M6x20 |
| K0499.30 | 2 | 30 | 60 | 60 | 6,5 | 50 | 40 | 42 | 42 | 45 | M8x25 |
| K0499.40 | 1 | 40 | 90 | 90 | 8,5 | 70 | 60 | 60 | 64 | 64 | M10x30 |
| K0499.50 | 1 | 50 | 105 | 105 | 10,5 | 85 | 74 | 74 | 80 | 80 | M10x35 |

Linear actuator connector clamps, stainless steel

base



Material:

Stainless steel, investment cast 1.4308.
Screws, stainless steel A2.

Version:

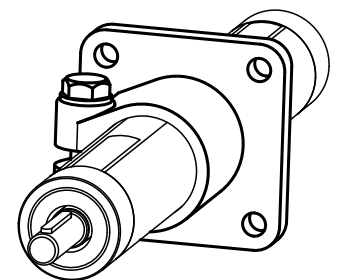
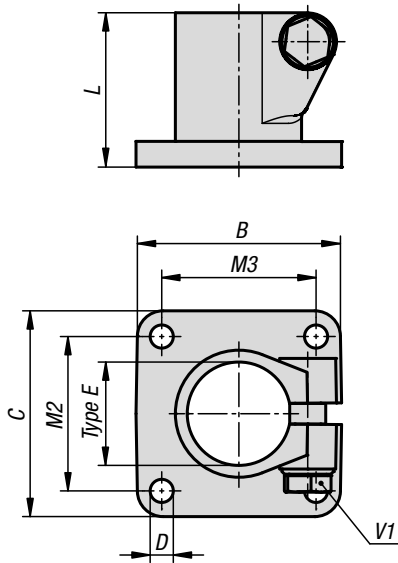
Electropolished.

Sample order:

K0499.130

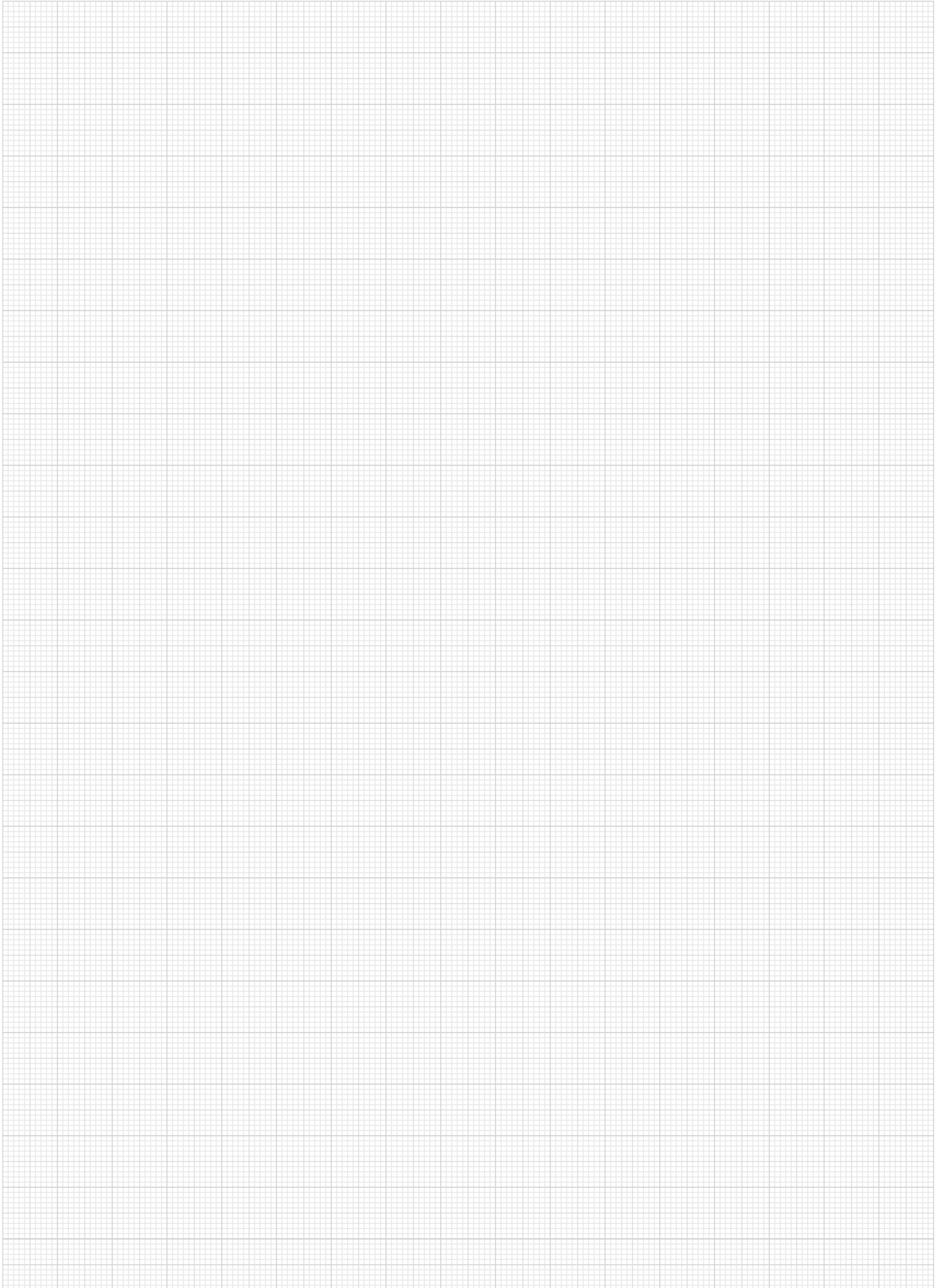
On request:

Clamping levers for tightening.



KIPP Linear actuator connector clamps, stainless steel, base

| Order No. | Type E | B | C | D | L | M2 | M3 | V1 |
|-----------|--------|----|----|---|----|----|----|--------|
| K0499.130 | 30 | 60 | 60 | 7 | 50 | 40 | 40 | M8x30 |
| K0499.140 | 40 | 80 | 80 | 9 | 60 | 60 | 60 | M10x35 |



Technical information

Square tube connectors



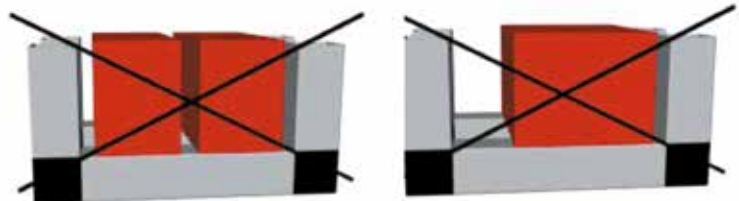
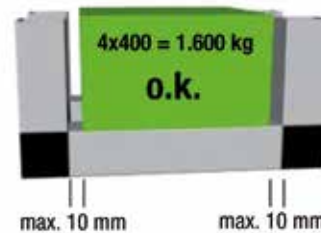
High quality plastic tube connectors with steel core for joining square tubing

Creative use of these square tube connectors together with the specially developed aluminium profiles leads to unlimited construction possibilities. The system can be combined with many different materials e.g. laminated chipboard, glass or plastic plates. No screws required, the connectors are simply pushed into the appropriate square tubing. They can be dismantled and reused repeatedly. If removal should be prevented the connectors can be secured by gluing, screws or rivets.

Loading of square tube connectors

25x25x1.5 and 30x30x2 square tube connectors with steel core have a compressive strength of max. 400 kg per horizontal spigot under the following conditions:

- the spacing between the exterior wall of the vertical tube and the outer edge of the load must not exceed 10 mm.
- the underside of the load is rigid enough that the applied force occurs only at the load corners (see diagram).
- the load is static i.e. no dynamic stress due to moving loads.



Note:

Using items such as adjustable glides, screw plugs and swivel feet with the tube connectors can decrease the load values for the entire unit.

Mitre cuts

Mitre cuts are required when finned square tubes are joined together with tube connectors at an angle. On request, we can supply our finned square tubes pre-cut with mitre cuts.

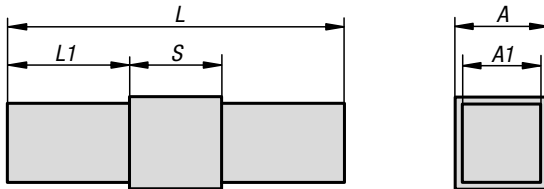


By mitre cuts the tube end is cut at 90° and a cut of 45° is made on the fin.

Anodizing on the tube occurs prior to the cut, so cut edges are not anodised.

Square tube connectors

straight



Material, version:

Polyamide PA, black.

Core electro zinc-plated steel.

Sample order:

K0615.1201512

Note:

No screws required. The tube connectors are simply pushed into the appropriate square tubing. They can be dismantled and reused repeatedly.

Accessories:

- Square tubes K0627
- Finned square tubes K0628

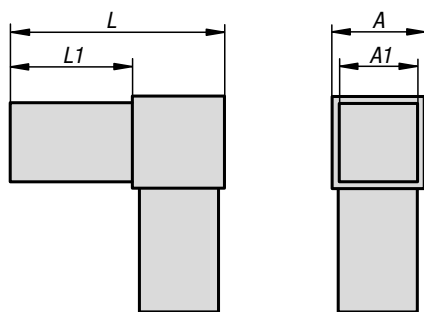


KIPP Square tube connectors, straight

| Order No. | A | A1 | L | L1 | S | Suitable for square tubes |
|---------------|----|----|-----|----|----|---------------------------|
| K0615.1201512 | 20 | 17 | 95 | 45 | 5 | 20 x 20 x 1,5 |
| K0615.1251512 | 25 | 22 | 133 | 54 | 25 | 25 x 25 x 1,5 |
| K0615.1302012 | 30 | 26 | 122 | 46 | 30 | 30 x 30 x 2 |

Square tube connectors

two-way



Material, version:

Polyamide PA, black.
Core electro zinc-plated steel.

Sample order:

K0616.1201512

Note:

No screws required. The tube connectors are simply pushed into the appropriate square tubing. They can be dismantled and reused repeatedly.

Accessories:

- Square tubes K0627
- Finned square tubes K0628



KIPP Square tube connectors, two-way

| Order No. | A | A1 | L | L1 | Suitable for square tubes |
|---------------|----|----|----------|----------|---------------------------|
| K0616.1201512 | 20 | 17 | 56 | 36 | 20 x 20 x 1,5 |
| K0616.1251512 | 25 | 22 | 73,5±0,7 | 48,5±0,7 | 25 x 25 x 1,5 |
| K0616.1302012 | 30 | 26 | 77 | 47 | 30 x 30 x 2 |

Square tube connectors

three-way, flat



Material, version:

Polyamide PA, black.

Core electro zinc-plated steel.

Sample order:

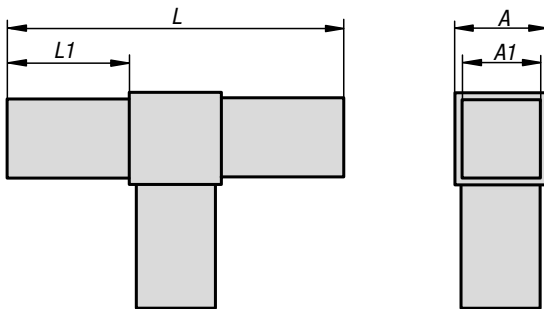
K0617.1201512

Note:

No screws required. The tube connectors are simply pushed into the appropriate square tubing. They can be dismantled and reused repeatedly.

Accessories:

- Square tubes K0627
- Finned square tubes K0628

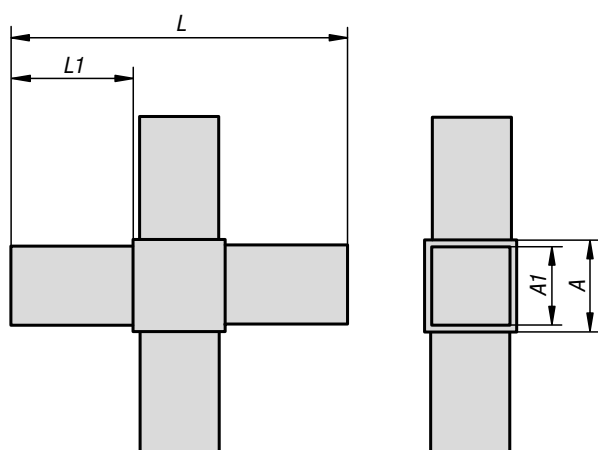


KIPP Square tube connectors, three-way, flat

| Order No. | A | A1 | L | L1 | Suitable for square tubes |
|---------------|----|----|-----|----|---------------------------|
| K0617.1201512 | 20 | 17 | 92 | 36 | 20 x 20 x 1,5 |
| K0617.1251512 | 25 | 22 | 121 | 48 | 25 x 25 x 1,5 |
| K0617.1302012 | 30 | 26 | 124 | 47 | 30 x 30 x 2 |

Square tube connectors

four-way, flat



Material, version:

Polyamide PA, black.

Core electro zinc-plated steel.

Sample order:

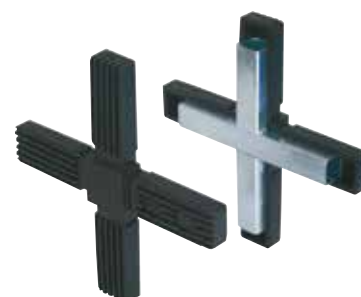
K0618.1201512

Note:

No screws required. The tube connectors are simply pushed into the appropriate square tubing. They can be dismantled and reused repeatedly.

Accessories:

- Square tubes K0627
- Finned square tubes K0628

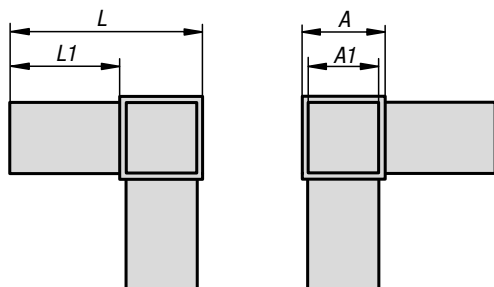


KIPP Square tube connectors, four-way, flat

| Order No. | A | A1 | L | L1 | Suitable for square tubes |
|---------------|----|----|-----|----|---------------------------|
| K0618.1201512 | 20 | 17 | 92 | 36 | 20 x 20 x 1,5 |
| K0618.1251512 | 25 | 22 | 133 | 54 | 25 x 25 x 1,5 |
| K0618.1302012 | 30 | 26 | 124 | 47 | 30 x 30 x 2 |

Square tube connectors

three-way



Material, version:

Polyamide PA, black.

Core electro zinc-plated steel.

Sample order:

K0619.1201512

Note:

No screws required. The tube connectors are simply pushed into the appropriate square tubing. They can be dismantled and reused repeatedly.

By Item K0619.1201512 the cap closes central.

Accessories:

- Square tubes K0627

- Finned square tubes K0628

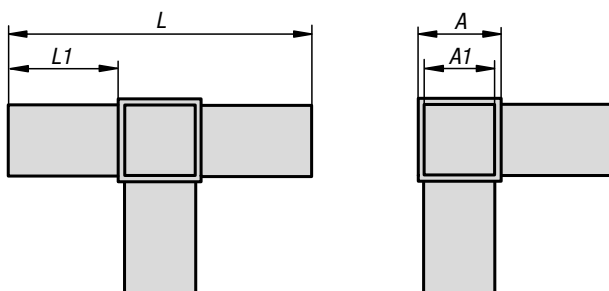


KIPP Square tube connector, three-way

| Order No. | A | A1 | L | L1 | Suitable for square tubes |
|---------------|----|----|----|----|---------------------------|
| K0619.1201512 | 20 | 17 | 56 | 36 | 20 x 20 x 1,5 |
| K0619.1251512 | 25 | 22 | 73 | 48 | 25 x 25 x 1,5 |
| K0619.1302012 | 30 | 26 | 77 | 47 | 30 x 30 x 2 |

Square tube connectors

four-way



Material, version:

Polyamide PA, black.

Core electro zinc-plated steel.

Sample order:

K0620.1201512

Note:

No screws required. The tube connectors are simply pushed into the appropriate square tubing. They can be dismantled and reused repeatedly.

By Item K0620.1201512 the cap closes central.

Accessories:

- Square tubes K0627

- Finned square tubes K0628

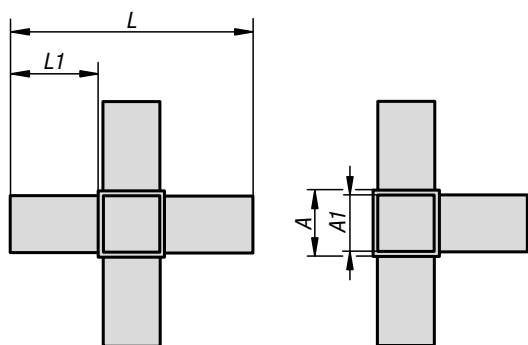


KIPP Square tube connectors, four-way

| Order No. | A | A1 | L | L1 | Suitable for square tubes |
|---------------|----|----|-----|------|---------------------------|
| K0620.1201512 | 20 | 17 | 92 | 36 | 20 x 20 x 1,5 |
| K0620.1251512 | 25 | 22 | 122 | 48,5 | 25 x 25 x 1,5 |
| K0620.1302012 | 30 | 26 | 124 | 47 | 30 x 30 x 2 |

Square tube connectors

five-way



Material, version:

Polyamide PA, black.

Core electro zinc-plated steel.

Sample order:

K0621.1201512

Note:

No screws required. The tube connectors are simply pushed into the appropriate square tubing. They can be dismantled and reused repeatedly.

Accessories:

- Square tubes K0627
- Finned square tubes K0628

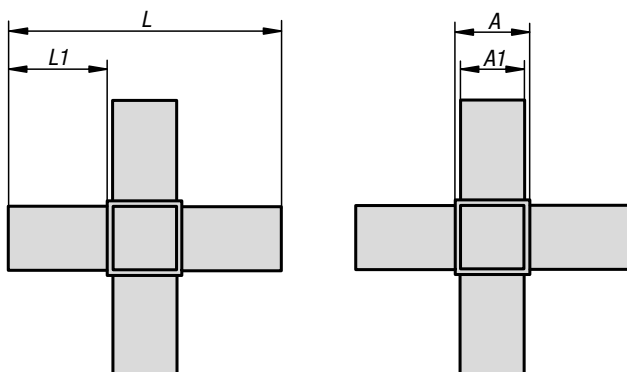


KIPP Square tube connectors, five-way

| Order No. | A | A1 | L | L1 | Suitable for square tubes |
|---------------|----|----|-----|----|---------------------------|
| K0621.1201512 | 20 | 17 | 92 | 36 | 20 x 20 x 1,5 |
| K0621.1251512 | 25 | 22 | 135 | 55 | 25 x 25 x 1,5 |
| K0621.1302012 | 30 | 26 | 124 | 47 | 30 x 30 x 2 |

Square tube connectors

six-way



Material, version:

Polyamide PA, black.

Core electro zinc-plated steel.

Sample order:

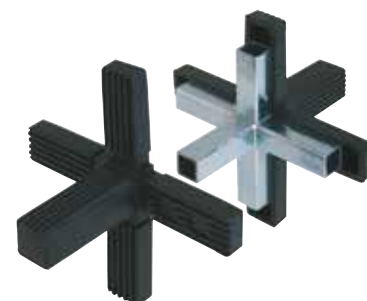
K0622.1201512

Note:

No screws required. The tube connectors are simply pushed into the appropriate square tubing. They can be dismantled and reused repeatedly.

Accessories:

- Square tubes K0627
- Finned square tubes K0628

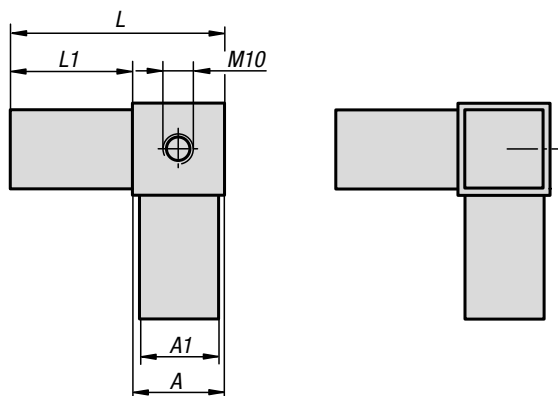


KIPP Square tube connectors, six-way

| Order No. | A | A1 | L | L1 | Suitable for square tubes |
|---------------|----|----|-----|----|---------------------------|
| K0622.1201512 | 20 | 17 | 92 | 36 | 20 x 20 x 1,5 |
| K0622.1251512 | 25 | 22 | 129 | 52 | 25 x 25 x 1,5 |
| K0622.1302012 | 30 | 26 | 124 | 47 | 30 x 30 x 2 |

Square tube connectors

three-way with tapped hole



Material, version:

Polyamide PA, black.

Core electro zinc-plated steel.

Sample order:

K0623.125151210

Note:

No screws required. The tube connectors are simply pushed into the appropriate square tubing. They can be dismantled and reused repeatedly. For installing swivel feet, casters etc.

Accessories:

- Square tubes K0627

- Finned square tubes K0628

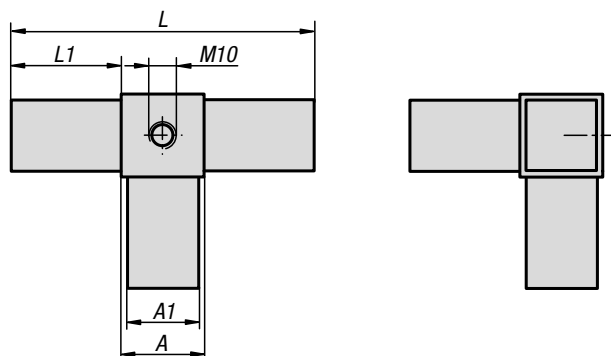


KIPP Square tube connectors, three-way with tapped hole

| Order No. | A | A1 | L | L1 | Suitable for square tubes |
|-----------------|----|----|----|----|---------------------------|
| K0623.125151210 | 25 | 22 | 73 | 48 | 25 x 25 x 1,5 |
| K0623.130201210 | 30 | 26 | 77 | 47 | 30 x 30 x 2 |

Square tube connectors

four-way with tapped hole



Material, version:

Polyamide PA, black.

Core electro zinc-plated steel.

Sample order:

K0624.125151210

Note:

No screws required. The tube connectors are simply pushed into the appropriate square tubing. They can be dismantled and reused repeatedly. For installing swivel feet, casters etc.

Accessories:

- Square tubes K0627
- Finned square tubes K0628



KIPP Square tube connectors, four-way with tapped hole

| Order No. | A | A1 | L | L1 | Suitable for square tubes |
|-----------------|----|----|-----|------|---------------------------|
| K0624.125151210 | 25 | 22 | 122 | 48,5 | 25 x 25 x 1,5 |
| K0624.130201210 | 30 | 26 | 124 | 47 | 30 x 30 x 2 |

Square tube connectors

two-way swivel



Material, version:

Polyamide PA, black.
DIN 6912 screws and DIN 934 nuts electro zinc-plated steel.

Sample order:

K0625.1251511

Note:

The tube connectors are simply pushed into the appropriate square tubing. They can be dismantled and reused repeatedly. The swivel angle can be seamlessly adjusted.

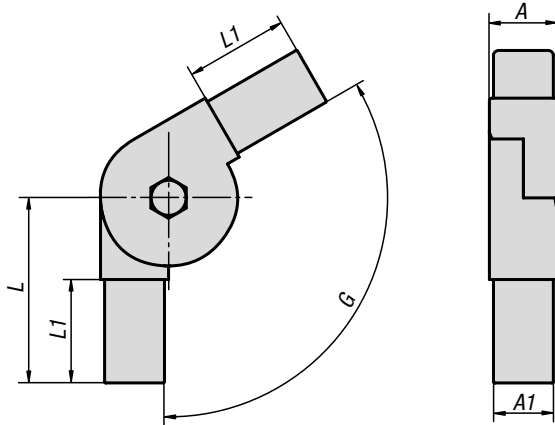
Assembly:

There are two chambers in each of the two journals on the joint, into which hex nuts (not supplied) can be inserted if required to secure the journals in the tube:

- Connector 20x20: 10AF
- Connector 25x25: no chamber
- Connector 30x30: 13AF

Accessories:

- Square tubes K0627
- Finned square tubes K0628

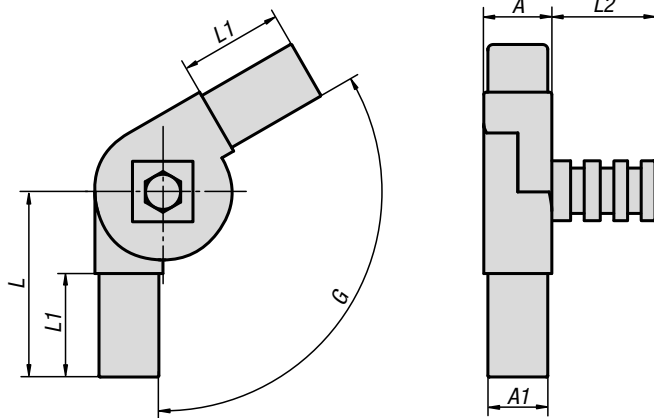
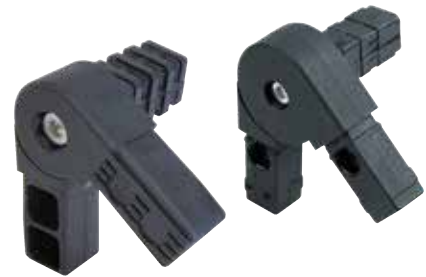


KIPP Square tube connectors, two-way swivel

| Order No. | A | A1 | L | L1 | G | Suitable for square tubes |
|---------------|----|----|----|----|------------|---------------------------|
| K0625.1201511 | 20 | 17 | 59 | 34 | 0° - 190° | 20 x 20 x 1,5 |
| K0625.1251511 | 25 | 22 | 68 | 38 | 0° - 190° | 25 x 25 x 1,5 |
| K0625.1251512 | 25 | 22 | 59 | 38 | 45° - 195° | 25 x 25 x 1,5 |
| K0625.1302011 | 30 | 26 | 75 | 40 | 0° - 190° | 30 x 30 x 2 |
| K0625.1302012 | 30 | 26 | 68 | 42 | 45° - 200° | 30 x 30 x 2 |

Square tube connectors

three-way swivel



Material, version:

Polyamide PA, black.

DIN 6912 screws and DIN 934 nuts electro zinc-plated steel.

Sample order:

K0626.1251511

Note:

The tube connectors are simply pushed into the appropriate square tubing. They can be dismantled and reused repeatedly. The swivel angle can be seamlessly adjusted. The third spigot can be revolved around its own axis.

Assembly:

There are two chambers in each of the two journals on the joint, into which hex nuts (not supplied) can be inserted if required to secure the journals in the tube:

- Connector 20x20: 10AF
- Connector 25x25: no chamber
- Connector 30x30: 13AF

Accessories:

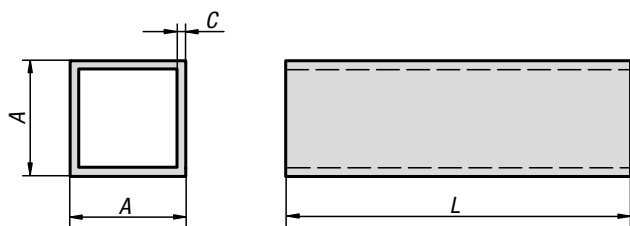
- Square tubes K0627
- Finned square tubes K0628



KIPP Square tube connectors, three-way swivel

| Order No. | A | A1 | L | L1 | L2 | G | Suitable for square tubes |
|---------------|----|----|----|----|----|------------|---------------------------|
| K0626.1201511 | 20 | 17 | 59 | 34 | 42 | 0° - 190° | 20 x 20 x 1,5 |
| K0626.1251511 | 25 | 22 | 68 | 38 | 42 | 0° - 190° | 25 x 25 x 1,5 |
| K0626.1251512 | 25 | 22 | 59 | 38 | 42 | 45° - 195° | 25 x 25 x 1,5 |
| K0626.1302011 | 30 | 26 | 75 | 40 | 41 | 0° - 190° | 30 x 30 x 2 |
| K0626.1302012 | 30 | 26 | 68 | 42 | 41 | 45° - 200° | 30 x 30 x 2 |

Square tubes



Material:
Aluminium profile.

Version:
Silver anodised.

Sample order:
K0628.125152X2000

Note:
These square tubes are designed to suit our tube connectors.

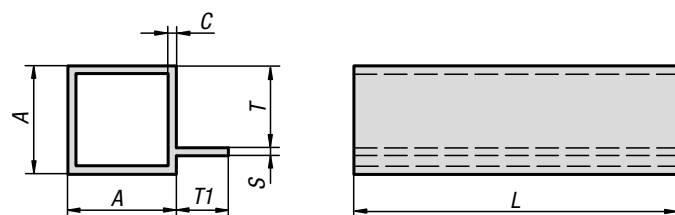
On request:
- Other lengths (L max. 4000 mm)
- Mitre cuts

KIPP Square tubes

| Order No. | A | C | L |
|-------------------|----|-----|------|
| K0627.120152X2000 | 20 | 1,5 | 2000 |
| K0627.125152X2000 | 25 | 1,5 | 2000 |
| K0627.130202X2000 | 30 | 2 | 2000 |

Square tubes

single-finned



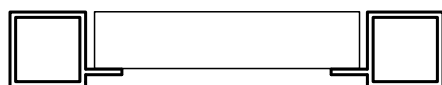
Material:
Aluminium profile.

Version:
Silver anodised.

Sample order:
K0628.125152X2000

Note:
These square tubes are designed to suit our tube connectors.

On request:
- Other lengths (L max. 4000 mm)
- Mitre cuts

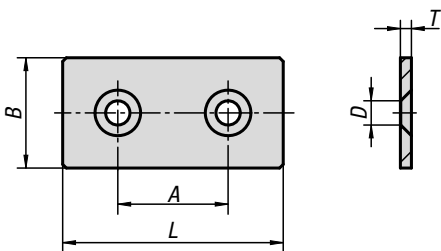


KIPP Square tubes with web

| Order No. | A | C | L | S | T | T1 |
|-------------------|----|-----|------|---|----|----|
| K0628.125152X2000 | 25 | 1,5 | 2000 | 2 | 19 | 15 |

K1042

Straps



Material:
Steel.

Version:
black powder-coated.

Sample order:
K1042.06

Note:
Universal fastening element for a rigid connection and linkage of profiles, panel elements or lightweight shelving.

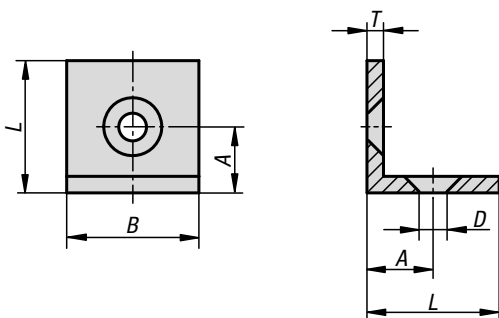


KIPP Straps

| Order No. | Type | Slot width | A | B | D for screw | L | T |
|-----------|-------|------------|----|----|----------------|----|---|
| K1042.061 | I | 6 | 30 | 30 | M6 | 60 | 3 |
| K1042.081 | B & I | 8/10 | 40 | 40 | M8 | 80 | 5 |
| K1042.101 | B | 8/10 | 45 | 45 | M8 | 90 | 5 |

K1043

Angles



Material:
Steel.

Version:
black powder-coated.

Sample order:
K1043.06

Note:
Universal fastening element for a rigid connection and linkage of profiles, panel elements or lightweight shelving.



KIPP Angles

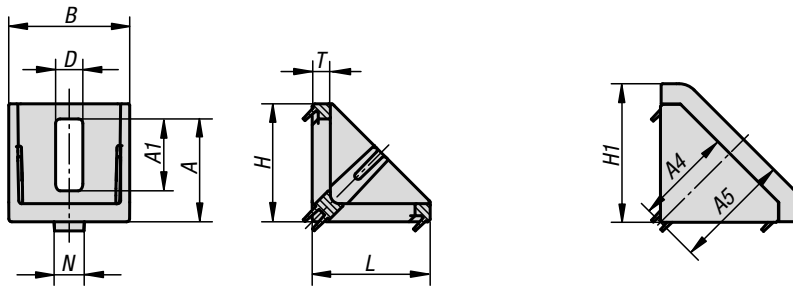
| Order No. | Type | Slot width | A | B | D for screw | L | T |
|-----------|------|------------|----|----|----------------|----|---|
| K1043.061 | I | 6 | 15 | 30 | M6 | 30 | 3 |
| K1043.081 | I | 8/10 | 20 | 40 | M8 | 40 | 5 |

Angle sets

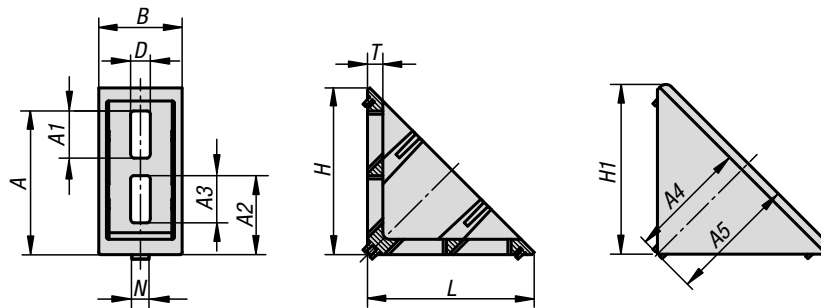
Type I



30x30 / 40x40



40x80



Material:

Angle die-cast zinc.
Screws and slot nuts steel.
End cap polyamide, fibreglass reinforced.

Version:

Angle painted aluminium tone.
Screws and slot nuts electro zinc-plated.
End cap black.

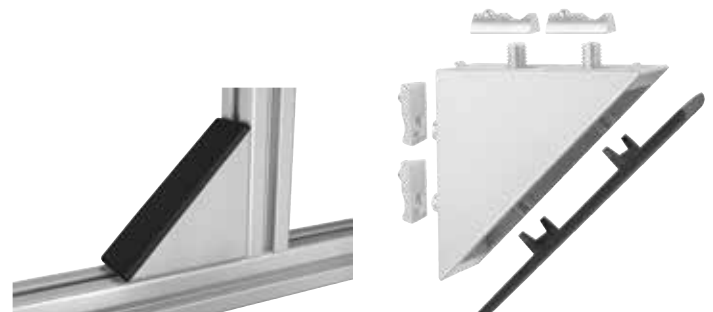
Sample order:

K1045.063030

Note:

Suitable for reinforcing profile constructions and for frictional connection of profiles with each other without machining. Can also be used as fastening element (e.g. bracket) for any components.

The angles have centring lugs for accurate and twist-proof mounting. The centring lugs can be removed if necessary by breaking off i.e. for mounting plates. The open side can be closed off with the end cap.

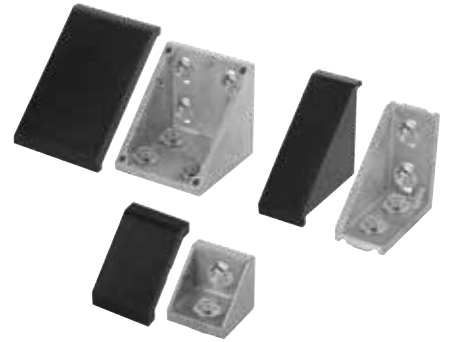


KIPP Angle sets Type I

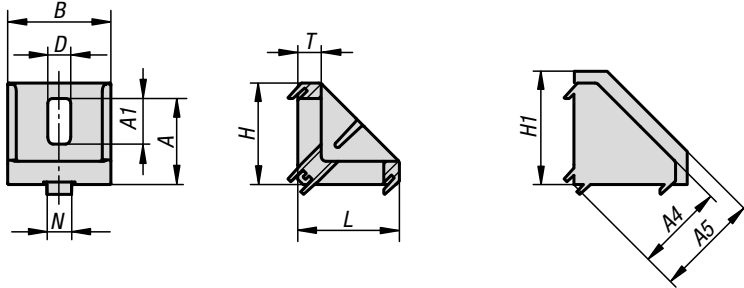
| Order No. | Type | Slot width | Version | A | A1 | A2 | A3 | A4 | A5 | B | D | H | H1 | L | N | T |
|--------------|------|------------|---------|------|------|----|------|------|------|----|-----|----|----|----|---|---|
| K1045.063030 | I | 6 | 30 x 30 | 22,5 | 11 | - | - | 23 | 27 | 28 | 6,5 | 28 | 32 | 28 | 6 | 4 |
| K1045.084040 | I | 8 | 40 x 40 | 34 | 24 | - | - | 32,5 | 39 | 40 | 9 | 39 | 46 | 39 | 8 | 6 |
| K1045.088080 | I | 8 | 40 x 80 | 65,5 | 21,5 | 36 | 21,5 | 54,5 | 58,5 | 38 | 9 | 76 | 78 | 76 | 8 | 7 |

Angle sets

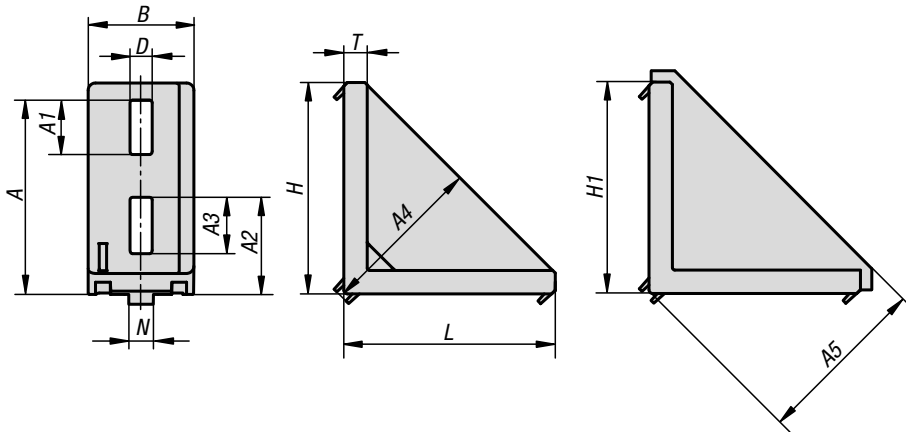
Type B



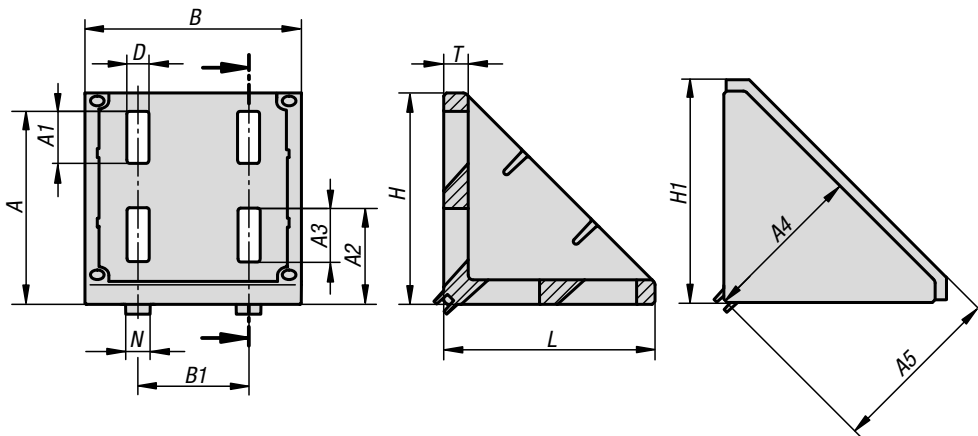
30x30 / 40x40 / 45x45



30x60 / 40x80 / 45x90



80x80 / 90x90



Material:

Angle die-cast aluminium.

Screws and slot nuts steel.

End cap polyamide, fibreglass reinforced.

Version:

Angle bright.

Screws and slot nuts electro zinc-plated.

End cap black.

Sample order:

K1046.104040

Note:

Suitable for reinforcing profile constructions and for frictional connection of profiles with each other without machining. Can also be used as fastening element (e.g. bracket) for any components.

The angles have centring lugs for accurate and twist-proof mounting. The centring lugs can be removed if necessary by breaking off i.e. for mounting plates. The open side can be closed off with the end cap.



KIPP Angle sets Type B

| Order No. | Type | Slot width | Version | A | A1 | A2 | A3 | A4 | A5 | B | B1 | D | H | H1 | L | N | T |
|--------------|------|------------|---------|------|------|------|----|------|------|----|----|-----|----|------|----|----|-----|
| K1046.083030 | B | 8 | 30x30 | 22 | 9,5 | - | - | 23 | 29 | 28 | - | 6,4 | 27 | 30 | 27 | 8 | 6 |
| K1046.083060 | B | 8 | 30x60 | 51 | 11 | 23 | 11 | 44 | 49 | 28 | - | 6,4 | 57 | 61 | 57 | 8 | 5,5 |
| K1046.104040 | B | 10 | 40 x 40 | 29,5 | 20,5 | - | - | 29,5 | 36,5 | 38 | - | 9 | 36 | 41,5 | 36 | 10 | 5,5 |
| K1046.104545 | B | 10 | 45 x 45 | 35 | 18,5 | - | - | 35 | 44,5 | 42 | - | 9 | 41 | 50,5 | 41 | 10 | 9,5 |
| K1046.104080 | B | 10 | 40 x 80 | 68 | 20 | 35 | 23 | 59 | 64 | 38 | - | 9 | 76 | 80 | 76 | 10 | 8,5 |
| K1046.104590 | B | 10 | 45 x 90 | 79 | 22 | 39,5 | 23 | 67 | 72 | 43 | - | 9 | 86 | 90 | 86 | 10 | 9,5 |
| K1046.108080 | B | 10 | 80 x 80 | 68,5 | 20 | 35 | 20 | 58,5 | 65 | 74 | 40 | 9 | 76 | 82,5 | 76 | 10 | 8 |
| K1046.109090 | B | 10 | 90 x 90 | 78,5 | 21 | 39 | 22 | 67 | 75 | 88 | 45 | 9 | 86 | 94,5 | 86 | 10 | 10 |

Angle elements T1

Type I

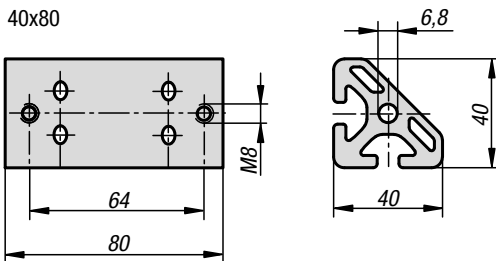
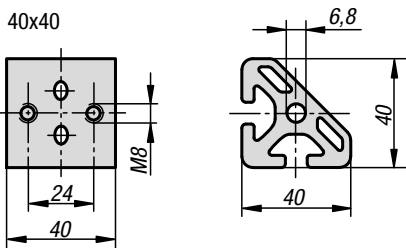
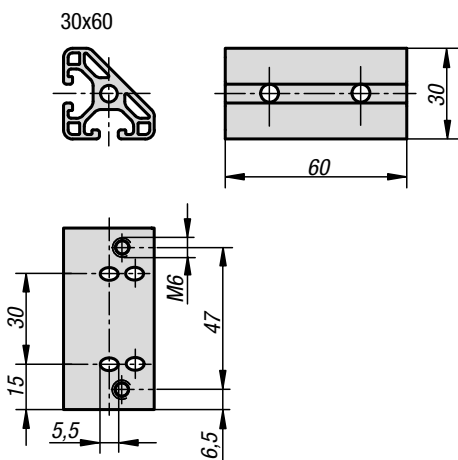
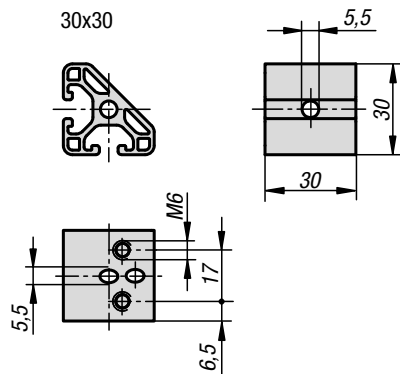


Material:
Aluminium.

Version:
anodised.

Sample order:
K1047.063030

Note:
Angle element for fastening a profile at a 45° angle and for making struts or ties.
The angle element can be fastened with a universal connector set (remove rotation lock) and with ISO 7380 round-head screws.



KIPP Angle elements, T1 Type I

| Order No. | Type | Slot width | Version |
|--------------|------|------------|---------|
| K1047.063030 | I | 6 | 30 x 30 |
| K1047.063060 | I | 6 | 30 x 60 |
| K1047.084040 | I | 8 | 40 x 40 |
| K1047.084080 | I | 8 | 40 x 80 |

Angle elements T2

Type I

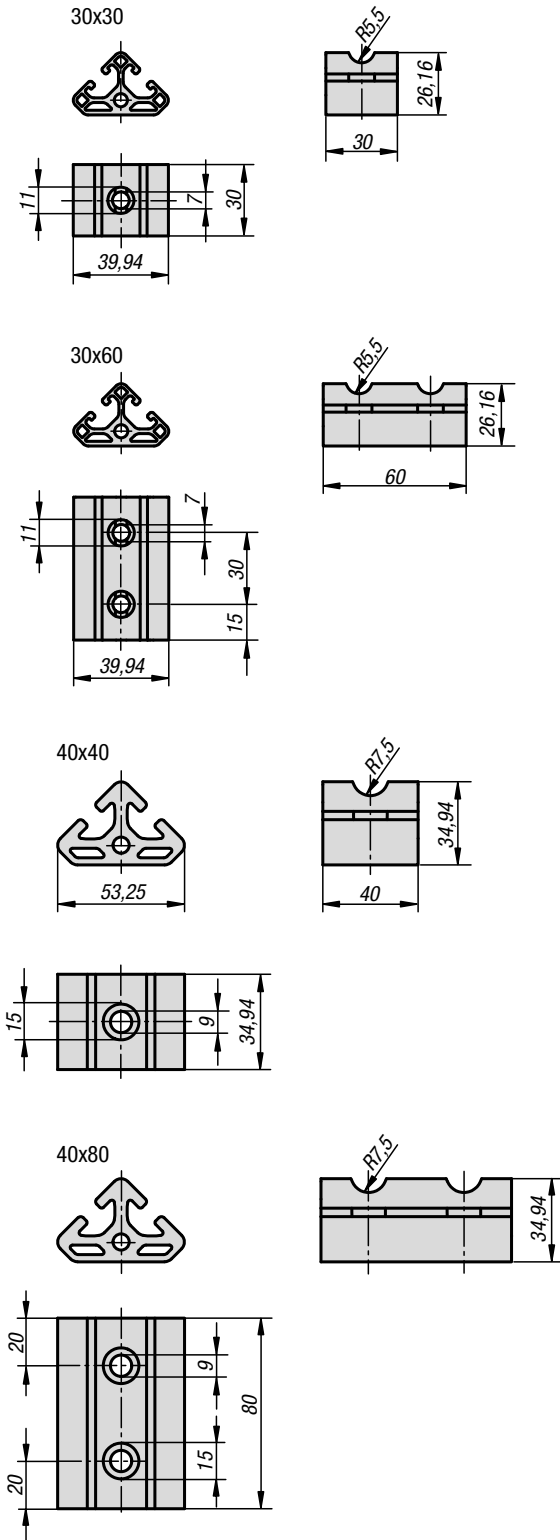


Material:
Aluminium.

Version:
anodised.

Sample order:
K1048.063030

Note:
Angle element for fastening two profiles at a 45° angle and for making struts or ties.
The angle element can be fastened with universal connector sets and ISO 7380 round-head screws.

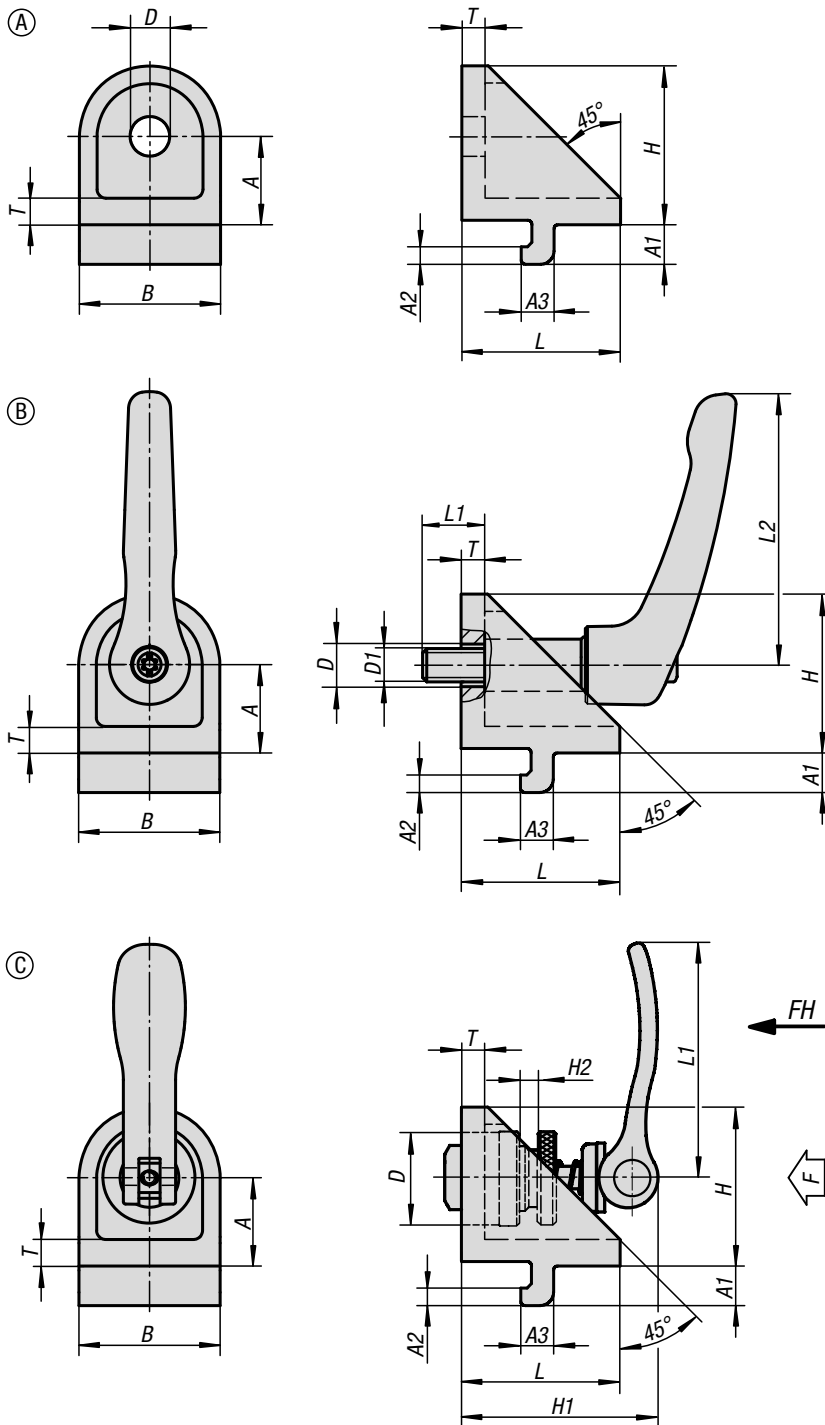


KIPP Angle elements, T2 Type I

| Order No. | Type | Slot width | Version |
|--------------|------|------------|---------|
| K1048.063030 | I | 6 | 30 x 30 |
| K1048.063060 | I | 6 | 30 x 60 |
| K1048.084040 | I | 8 | 40 x 40 |
| K1048.084080 | I | 8 | 40 x 80 |

Clamping angles

Type I



Material:

Clamping angle die-cast zinc.
Grip die-cast zinc DIN EN 12844. Steel parts stainless steel 1.4305.
Cam lever cast aluminium. Body steel.

Version:

Clamping angle painted aluminium tone.
Grip powder-coated. Stainless steel bright.
Cam lever black powder-coated. Steel parts black oxidised.
Slot key electro zinc-plated.

Sample order:

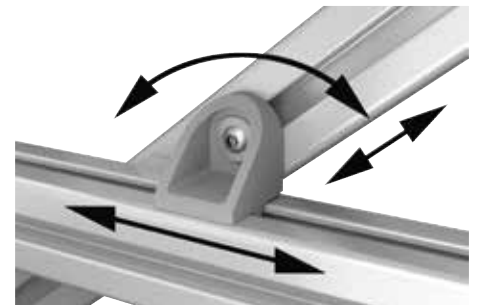
K1049.06

Note:

The clamping angles are used for connecting two profiles of the same series that have contact on the side faces and cross at any angle.

Loosening the screw releases both clamps allowing free rotation and sliding along the slots.

The clamping angles are generally used in pairs or in combination with a joint angle.

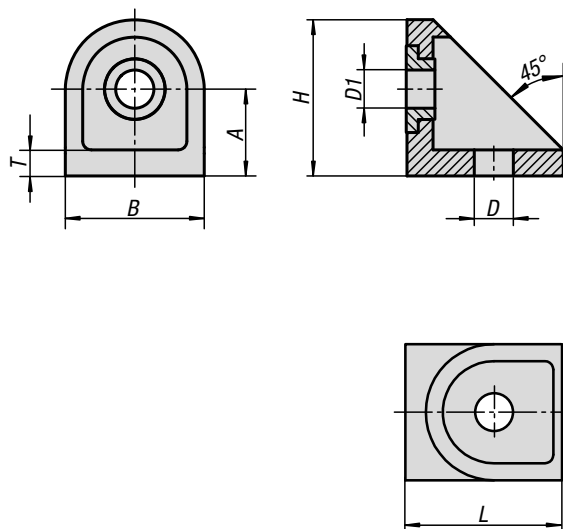


KIPP Clamping angles Type I

| Order No. | Type | Slot width | Form | Version 1 | A | A1 | A2 | A3 | B | D | D1 | H | H1 | H2 | L | L1 | L2 | T |
|------------|------|------------|------|----------------------|----|-----|----|-----|----|----|----|----|----|----|----|------|----|---|
| K1049.06 | I | 6 | A | - | 15 | 6,3 | 3 | 5,7 | 24 | 7 | - | 27 | - | - | 27 | - | - | 5 |
| K1049.08 | I | 8 | A | - | 20 | 9 | 4 | 7,5 | 32 | 9 | - | 36 | - | - | 36 | - | - | 6 |
| K1049.0606 | I | 6 | B | with clamping lever | 15 | 6,3 | 3 | 5,7 | 24 | 7 | M6 | 27 | - | - | 27 | 13 | 40 | 5 |
| K1049.0808 | I | 8 | B | with clamping lever | 20 | 9 | 4 | 7,5 | 32 | 9 | M8 | 36 | - | - | 36 | 18 | 65 | 6 |
| K1049.0615 | I | 6 | C | with eccentric clamp | 15 | 6,3 | 3 | 5,7 | 24 | 15 | - | 27 | 34 | 6 | 27 | 36,2 | - | 5 |
| K1049.0820 | I | 8 | C | with eccentric clamp | 20 | 9 | 4 | 7,5 | 32 | 20 | - | 36 | 44 | 8 | 36 | 52,3 | - | 6 |

Joint angles

Type I



Material:

Joint angle die-cast zinc.
Pivot bush steel.

Version:

Joint angle painted aluminium tone.
Pivot bush electro zinc-plated.

Sample order:

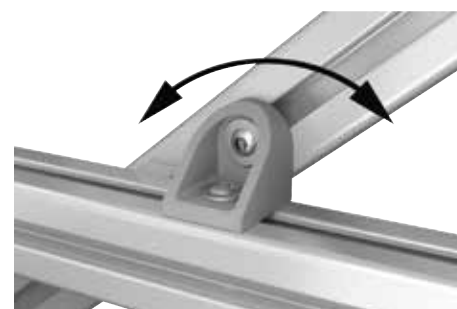
K1050.06

Note:

The joint angles are used for connecting two profiles of the same series that have contact on the side faces and cross at any angle.

The joint angle acts as a fixed pivot point for the crossed profiles. When the screw is tightened the profile can still be freely rotated around the pivot bush.

The joint angles are generally used in combination with a clamping angle.

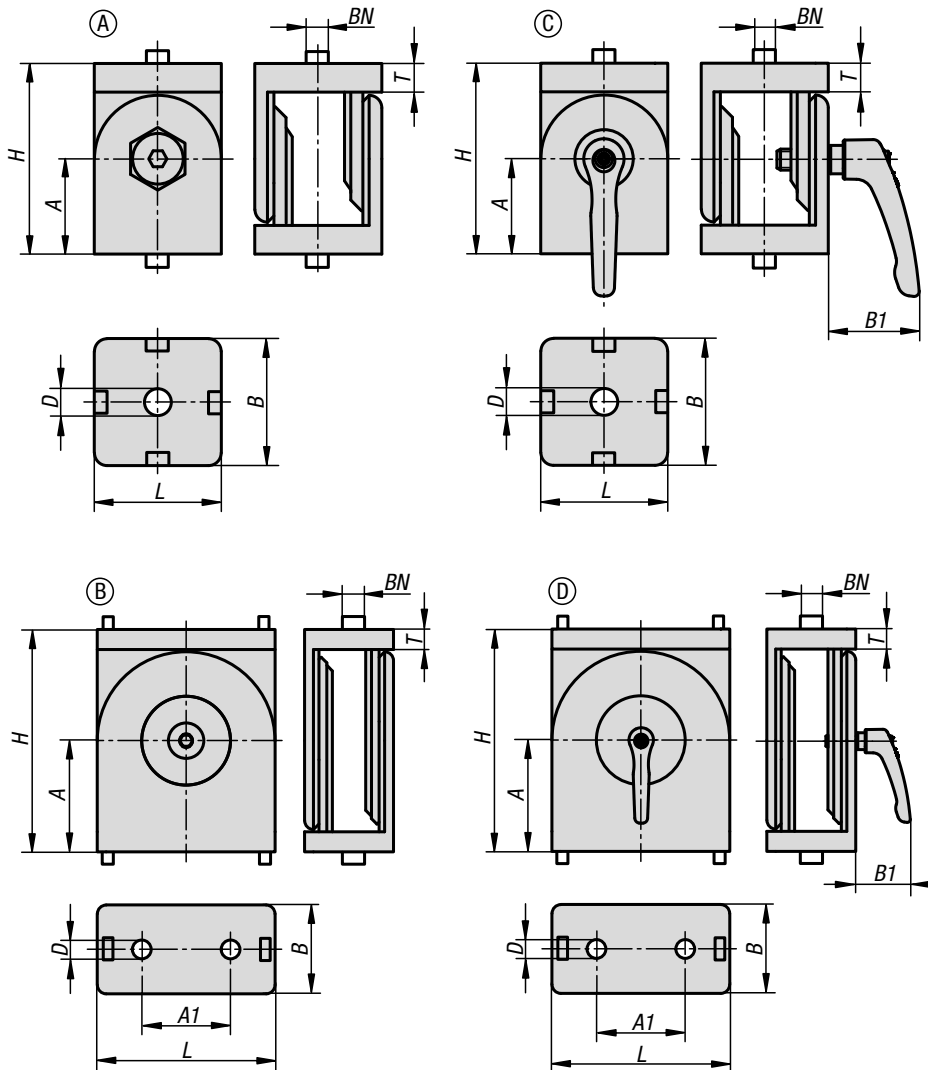


KIPP Joint angles Type I

| Order No. | Type | Slot width | A | B | D | D1 | H | L | T |
|-----------|------|------------|----|----|---|-----|------|----|-----|
| K1050.06 | I | 6 | 15 | 24 | 7 | 6,5 | 27 | 27 | 5 |
| K1050.08 | I | 8 | 20 | 32 | 9 | 8,8 | 35,2 | 36 | 5,5 |

Joints

Type B and Type I



Material:

Joint die-cast zinc.
Fastenings die-cast zinc.
Spacer rings stainless steel.
Tapped bushes and countersunk screws steel.
Handle die-cast zinc DIN EN 12844. Metal parts stainless steel 1.4305.

Version:

Joint painted aluminium tone.
Fasteners electro zinc-plated.
Spacer rings bright.
Tapped bushes and countersunk screws electro zinc-plated.
Handle powder-coated. Steel parts bright stainless steel.

Sample order:

K1051.063030

Note:

Joints for connecting two profiles at any angle. The adjustment range is 0° to 180°. The joint can also be used as a heavy hinge.

When the spacer rings are inserted, the joint can move freely. When these are removed, the joint can be used as a rigid angle element. The joints are particularly suitable for use as adjustable brackets, swivel arms or similar applications.



Joints

Type B and Type I



KIPP Joints without clamping levers

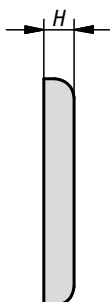
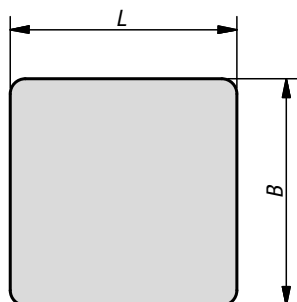
| Order No. | Type | BN=Slot width | Form | A | A1 | B | D | H | L | T |
|--------------|------|---------------|------|------|----|----|-----|-----|----|---|
| K1051.063030 | I | 6 | A | 22,5 | - | 30 | 6,4 | 45 | 30 | 7 |
| K1051.084040 | I | 8 | A | 30 | - | 40 | 8,4 | 60 | 40 | 9 |
| K1051.084080 | I | 8 | B | 50 | 40 | 40 | 8,4 | 100 | 80 | 9 |
| K1051.083030 | B | 8 | A | 22,5 | - | 30 | 8,3 | 45 | 30 | 7 |
| K1051.104545 | B | 10 | A | 30 | - | 45 | 8,5 | 60 | 45 | 8 |
| K1051.104590 | B | 10 | B | 50 | 45 | 45 | 8,5 | 100 | 90 | 9 |

KIPP Joints with clamping levers

| Order No. | Type | BN=Slot width | Form | A | A1 | B | B1 | D | H | L | T |
|---------------|------|---------------|------|------|----|----|------|-----|-----|----|---|
| K1051.1063030 | I | 6 | C | 22,5 | - | 30 | 31 | 6,4 | 45 | 30 | 7 |
| K1051.1084040 | I | 8 | C | 30 | - | 40 | 31 | 8,4 | 60 | 40 | 9 |
| K1051.2084080 | I | 8 | D | 50 | 40 | 40 | 31 | 8,4 | 100 | 80 | 9 |
| K1051.1104545 | B | 10 | C | 30 | - | 45 | 42,5 | 8,5 | 60 | 45 | 8 |
| K1051.2104590 | B | 10 | D | 50 | 45 | 45 | 42,5 | 8,5 | 100 | 90 | 9 |

End caps

Type B and Type I



Material:

Polyamide fibreglass reinforced.

Version:

black.

Sample order:

K1053.06303011

Note:

Round edged covers with rotation lock for covering the profile ends. Prevents dirt from penetrating and avoids injuries. Simple clip-on mounting.



KIPP End caps Type B and Type I

| Order No. | Type | Slot width | Profile | B | L | H |
|----------------|------|------------|---------|----|----|---|
| K1053.06303011 | I | 6 | 30x30 | 30 | 30 | 3 |
| K1053.06306011 | I | 6 | 30x60 | 30 | 60 | 3 |
| K1053.06606011 | I | 6 | 60x60 | 60 | 60 | 3 |
| K1053.08164011 | I | 8 | 16x40 | 16 | 40 | 4 |
| K1053.08404011 | I | 8 | 40x40 | 40 | 40 | 4 |
| K1053.08408011 | I | 8 | 40x80 | 40 | 80 | 4 |
| K1053.08808011 | I | 8 | 80x80 | 80 | 80 | 4 |
| K1053.08303021 | B | 8 | 30x30 | 30 | 30 | 4 |
| K1053.08306021 | B | 8 | 30x60 | 30 | 60 | 4 |
| K1053.10404021 | B | 10 | 40x40 | 40 | 40 | 4 |
| K1053.10408021 | B | 10 | 40x80 | 40 | 80 | 4 |
| K1053.10454521 | B | 10 | 45x45 | 45 | 45 | 4 |
| K1053.10456021 | B | 10 | 45x60 | 45 | 60 | 4 |
| K1053.10459021 | B | 10 | 45x90 | 45 | 90 | 4 |
| K1053.10909021 | B | 10 | 90x90 | 90 | 90 | 4 |

Cover and adapter profiles

Type B and Type I



Material:

Type I polypropylene.

Type B polypropylene + TPE.

Version:

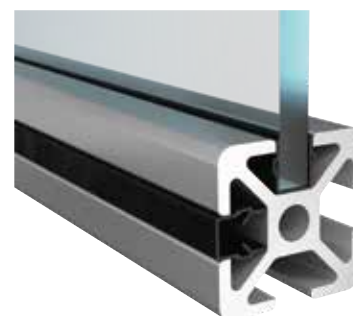
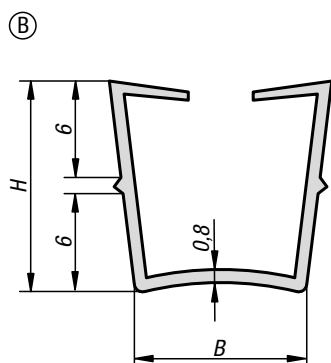
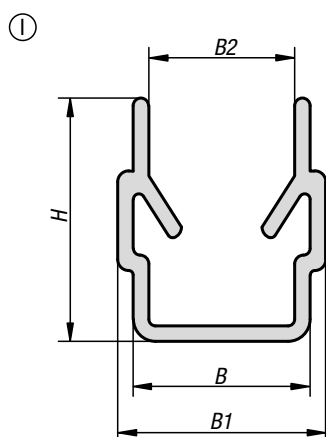
black or bright.

Sample order:

K1054.06120351

Note:

The cover and adapter profile made of flexible plastic are used for two different applications. As a cover profile it seals the profile slots against dust and dirt. As an adapter profile with the open side facing out it is used to hold panel elements.



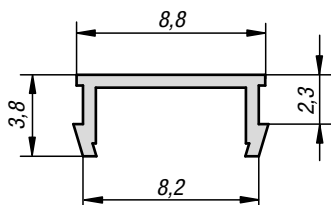
KIPP Cover and adapter profiles Type B and Type I

| Order No. | Main colour | Type | Slot width | B | B1 | B2 | H | Length | Panel element |
|----------------|-------------|------|------------|----|-----|-----|-----|--------|---------------|
| K1054.06120351 | black | I | 6 | 6 | 7 | 4,4 | 9,1 | 2000 | 2,0 - 3,5 |
| K1054.06120350 | natural | I | 6 | 6 | 7 | 4,4 | 9,1 | 2000 | 2,0 - 3,5 |
| K1054.08120601 | black | I | 8 | 8 | 9,4 | 6,6 | 9,1 | 2000 | 2,0 - 6,0 |
| K1054.08140601 | black | I | 8 | 8 | 9,4 | 6,6 | 11 | 2000 | 4,0 - 6,0 |
| K1054.08140600 | natural | I | 8 | 8 | 9,4 | 6,6 | 11 | 2000 | 4,0 - 6,0 |
| K1054.10220601 | black | B | 10 | 10 | - | - | 13 | 2000 | 2,0 - 6,0 |

K1055

Cover profile

Type I



Material:
PVC.

Version:
black.

Sample order:
K1055.0811

Note:
The cover profile made of flexible plastic is used as a cover for the profile slots to protect against dust and dirt.

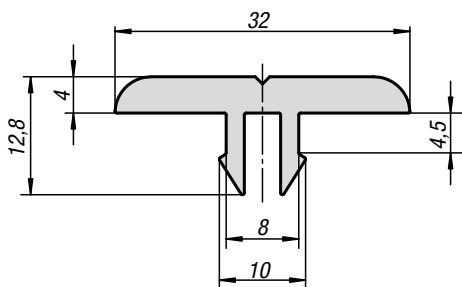
KIPP Cover profile Type I

| Order No. | Type | Slot width | Length |
|------------|------|------------|--------|
| K1055.0811 | I | 8 | 2000 |

K1056

Slide rail

Type I



Material:
Polyethylene-HD.

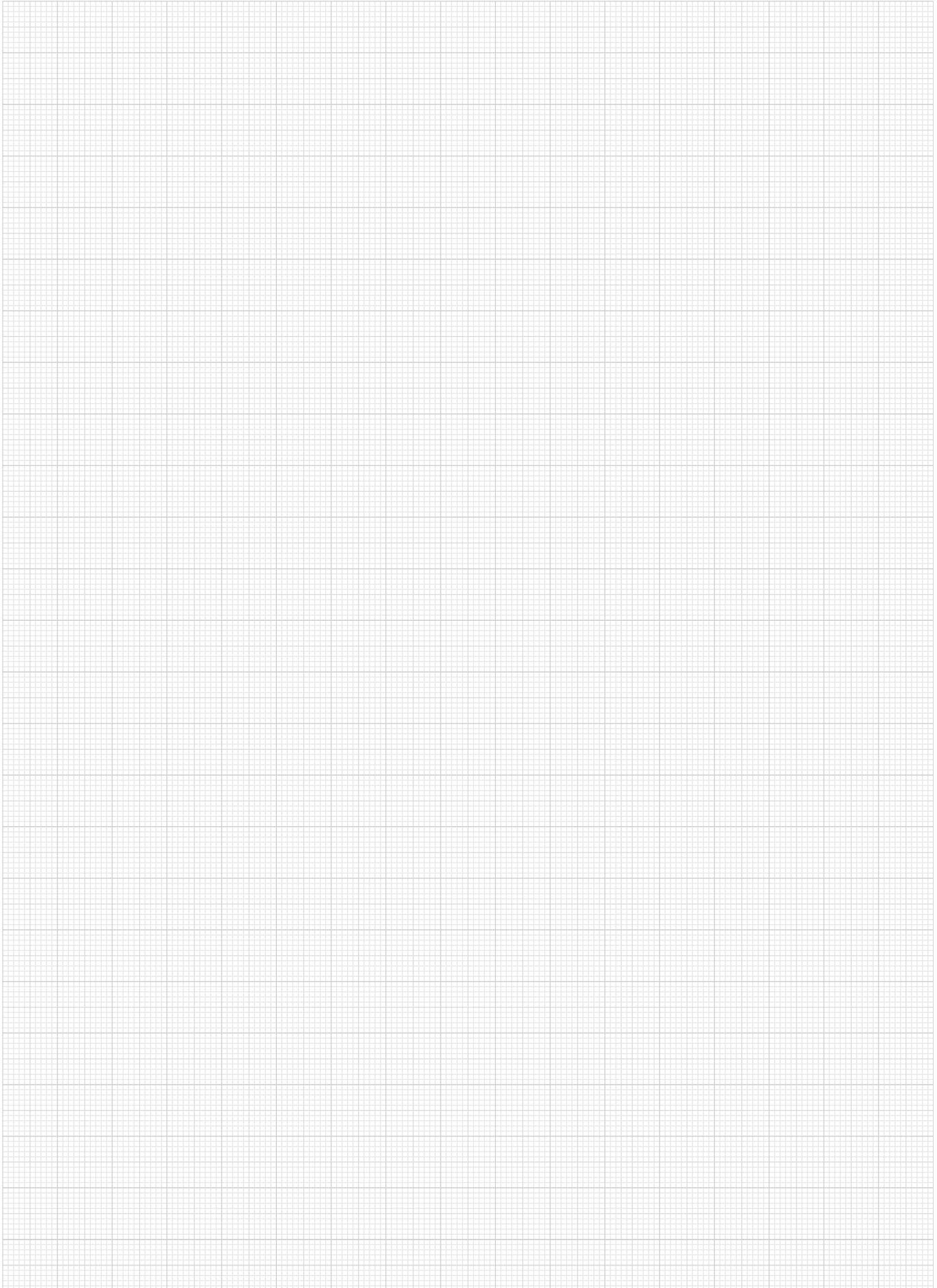
Version:
black.

Sample order:
K1056.0811

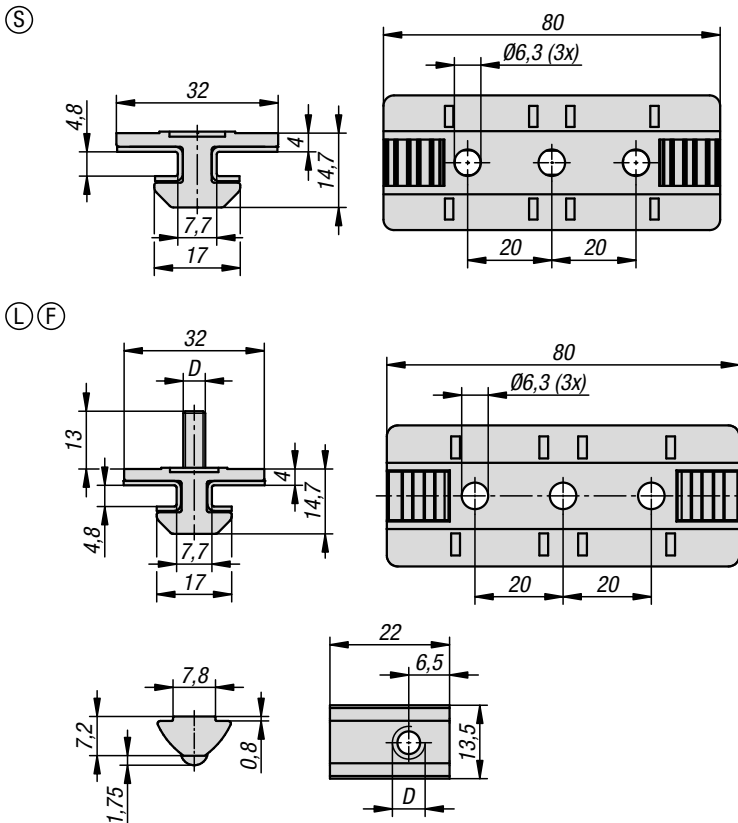
Note:
Low-wear slide rail with low slide friction for easy handling of goods. Slide rails can also be used as cover protection, impact protection and guide rails.

KIPP Slide rail Type I

| Order No. | Type | Slot width | Length |
|--------------|------|------------|--------|
| K1056.081321 | I | 8 | 2000 |



Profile slider



Material:

Body: die-cast zinc.

Slide elements: plastic POM.

Attachment parts: electro zinc-plated steel.

O-ring: EPDM.

Sample order:

K1806.2050

Note:

Metal profile slider with clipped-on plastic slide element. Profile sliders enable low-wear linear movement of type I aluminium profiles with 8 mm slots. The absence of lubrication makes the system extremely insensitive to dirt.

The maximum permissible load for a profile slider is $F_{max.} = 50 \text{ N}$.

Slide guides with several slide carriages must be constructed as a combination of fixed bearing (Form F) and floating bearing (Form L). This compensates for form tolerances and ensures light movement.

Form S: A set for connecting any add-on elements.

Form L: A set to use as a floating bearing.

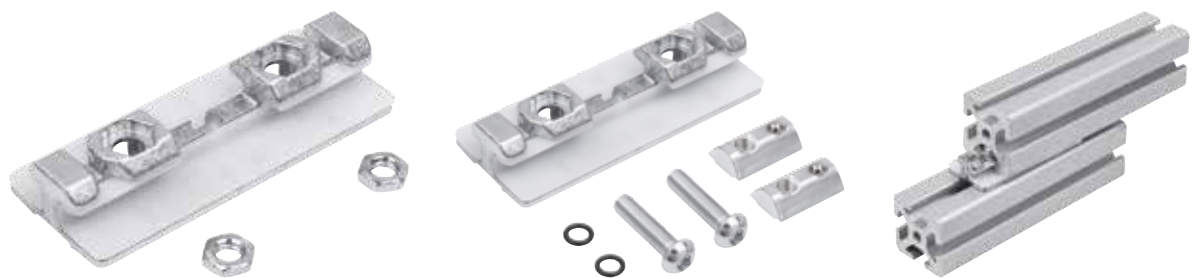
Form F: A set to use as a fixed bearing.

Supplied with:

Style S: Profile slider with slide elements.
2x DIN 439 B M6 hex nuts.

Style L: Profile slider with slide elements.
2x ISO 7380 - M5x25 panhead screws.
2x DIN 3771 - 5x1,5 O-rings.
2x M5 slot keys for 8mm slots.

Style F: Profile slider with slide elements.
2x ISO 7380 M6x25 panhead screws.
2x DIN 3771 5x1,5 O-rings.
2x M6 slot keys for 8 mm slots.



KIPP Profile slider

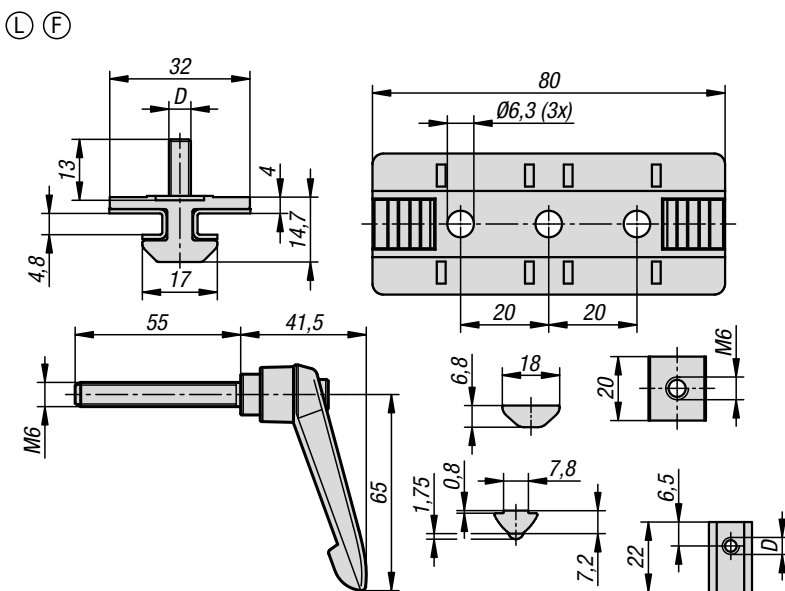
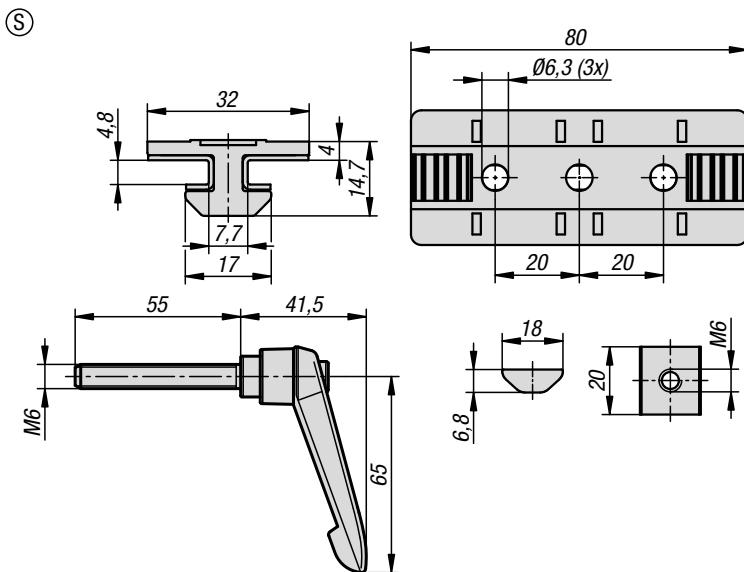
| Order No. | Form | Form-Type |
|------------|------|-----------|
| K1806.1000 | S | standard |

| Order No. | Form | Form-Type | D |
|------------|------|------------------|----|
| K1806.2050 | L | floating bearing | M5 |

| Order No. | Form | Form-Type | D |
|------------|------|---------------|----|
| K1806.3060 | F | fixed bearing | M6 |

Profile slider

with clamping lever



Material:

Body: die-cast zinc.

Slide elements: plastic POM.

Attachment parts: electro zinc-plated steel.

O-ring: EPDM.

Clamping lever: fibreglass reinforced plastic.

Clamping lever mechanics: steel

Sample order:

K1806.2051

Note:

Metal profile slider with clipped-on plastic slide element. With an additional clamping lever for clamping the carriage system. Profile sliders enable low-wear linear movement of type I aluminium profiles with 8 mm slots. The absence of lubrication makes the system extremely insensitive to dirt.

The maximum permissible load for a profile slider is $F_{max.} = 50 \text{ N}$. The retaining force at a maximum tightening torque of 15 Nm is 600 N.

Slide guides with several slide carriages must be designed as a combination of fixed bearing (Form F) and floating bearing (Form L). This compensates for form tolerances and ensures light movement.

Form S: A set for connecting any add-on elements.

Form L: A set to use as a floating bearing.

Form F: A set to use as a fixed bearing.

Supplied with:

Form S: Profile slider with slide elements.

2x DIN 439 B M6 hex nuts.

1x M6x55 clamping lever with DIN 9021 6.4 mm washer and special M6 slot key for 8 mm slots.

Form L: Profile slider with slide elements.

2x ISO 7380 - M5x25 panhead screws.

2x DIN 3771 - 5x1,5 O-rings.

2x M5 slot keys for 8mm slots.

1x M6x55 clamping lever with DIN 9021 6.4 mm washer and special M6 slot key for 8 mm slots.

Form F: Profile slider with slide elements.

2x ISO 7380 M6x25 panhead screws.

2x DIN 3771 5x1,5 O-rings.

2x M6 slot keys for 8 mm slots.

1x M6x55 clamping lever with DIN 9021 6.4 mm washer and special M6 slot key for 8 mm slots.

Profile slider

with clamping lever



KIPP Profile slider with clamping lever

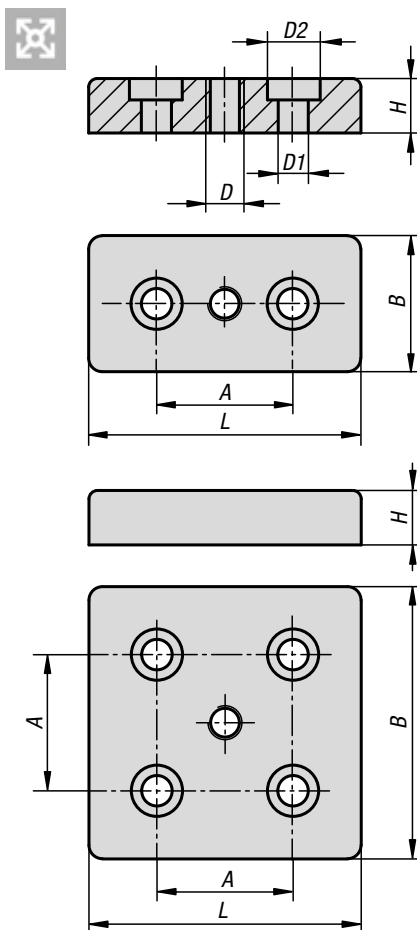
| Order No. | Form | Form-Type |
|------------|------|-----------|
| K1806.1001 | S | standard |

| Order No. | Form | Form-Type | D |
|------------|------|------------------|----|
| K1806.2051 | L | floating bearing | M5 |

| Order No. | Form | Form-Type | D |
|------------|------|---------------|----|
| K1806.3061 | F | fixed bearing | M6 |

Foot plates

Type B and Type I



Material:
Die-cast zinc.

Version:
bright or black powder-coated.

Sample order:
K1057.0630601081

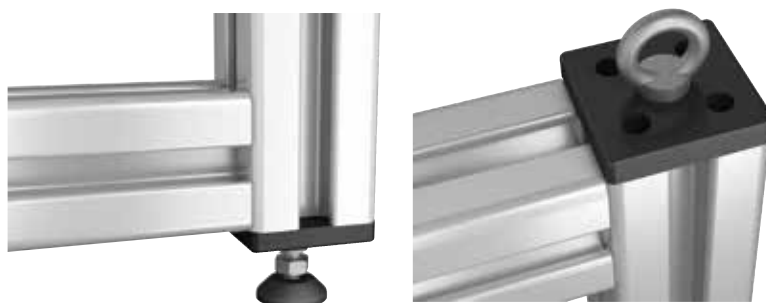
Note:
Used to mount levelling feet, rollers, eye bolts and other elements. Can also be mounted to the side of a profile using slot nuts.

KIPP Foot plates Type B and Type I

| Order No. | Finish | Type | Slot width | Profile | B | L | H | A | D | D1 | D2 |
|------------------|--------|------|------------|---------|----|----|----|----|-----|------|----|
| K1057.0840801080 | bright | I | 8 | 40x80 | 40 | 80 | 16 | 40 | M8 | 9 | 15 |
| K1057.0840801100 | bright | I | 8 | 40x80 | 40 | 80 | 16 | 40 | M10 | 9 | 15 |
| K1057.0840801120 | bright | I | 8 | 40x80 | 40 | 80 | 16 | 40 | M12 | 9 | 15 |
| K1057.0840801160 | bright | I | 8 | 40x80 | 40 | 80 | 16 | 40 | M16 | 9 | 15 |
| K1057.0880801080 | bright | I | 8 | 80x80 | 80 | 80 | 16 | 40 | M8 | 9 | 15 |
| K1057.0880801100 | bright | I | 8 | 80x80 | 80 | 80 | 16 | 40 | M10 | 9 | 15 |
| K1057.0880801120 | bright | I | 8 | 80x80 | 80 | 80 | 16 | 40 | M12 | 9 | 15 |
| K1057.0880801160 | bright | I | 8 | 80x80 | 80 | 80 | 16 | 40 | M16 | 9 | 15 |
| K1057.1040802080 | bright | B | 10 | 40x80 | 40 | 80 | 16 | 40 | M8 | 14,5 | 20 |
| K1057.1040802100 | bright | B | 10 | 40x80 | 40 | 80 | 16 | 40 | M10 | 14,5 | 20 |
| K1057.1040802120 | bright | B | 10 | 40x80 | 40 | 80 | 16 | 40 | M12 | 14,5 | 20 |
| K1057.1040802160 | bright | B | 10 | 40x80 | 40 | 80 | 16 | 40 | M16 | 14,5 | 20 |
| K1057.1045902100 | bright | B | 10 | 45x90 | 45 | 90 | 16 | 45 | M10 | 14,5 | 20 |
| K1057.1045902120 | bright | B | 10 | 45x90 | 45 | 90 | 16 | 45 | M12 | 14,5 | 20 |
| K1057.1045902140 | bright | B | 10 | 45x90 | 45 | 90 | 16 | 45 | M14 | 14,5 | 20 |
| K1057.1045902160 | bright | B | 10 | 45x90 | 45 | 90 | 16 | 45 | M16 | 14,5 | 20 |
| K1057.1045902200 | bright | B | 10 | 45x90 | 45 | 90 | 16 | 45 | M20 | 14,5 | 20 |
| K1057.1090902100 | bright | B | 10 | 90x90 | 90 | 90 | 16 | 45 | M10 | 14,5 | 20 |
| K1057.1090902120 | bright | B | 10 | 90x90 | 90 | 90 | 16 | 45 | M12 | 14,5 | 20 |
| K1057.1090902140 | bright | B | 10 | 90x90 | 90 | 90 | 16 | 45 | M14 | 14,5 | 20 |
| K1057.1090902160 | bright | B | 10 | 90x90 | 90 | 90 | 16 | 45 | M16 | 14,5 | 20 |
| K1057.1090902200 | bright | B | 10 | 90x90 | 90 | 90 | 16 | 45 | M20 | 14,5 | 20 |

Foot plates

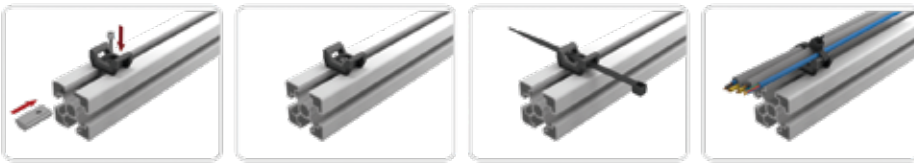
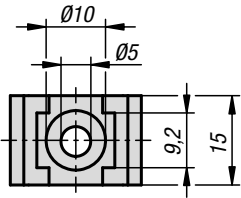
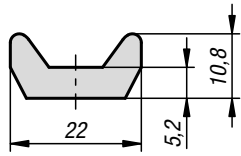
Type B and Type I



| Order No. | Finish | Type | Slot width | Profile | B | L | H | A | D | D1 | D2 |
|------------------|---------------------|------|------------|---------|----|----|----|----|-----|------|----|
| K1057.0630601081 | black powder-coated | I | 6 | 30x60 | 30 | 60 | 12 | 30 | M8 | 6,6 | 11 |
| K1057.0630601101 | black powder-coated | I | 6 | 30x60 | 30 | 60 | 12 | 30 | M10 | 6,6 | 11 |
| K1057.0630601121 | black powder-coated | I | 6 | 30x60 | 30 | 60 | 12 | 30 | M12 | 6,6 | 11 |
| K1057.0630601161 | black powder-coated | I | 6 | 30x60 | 30 | 60 | 12 | 30 | M16 | 6,6 | 11 |
| K1057.0660601081 | black powder-coated | I | 6 | 60x60 | 60 | 60 | 12 | 30 | M8 | 6,6 | 11 |
| K1057.0660601101 | black powder-coated | I | 6 | 60x60 | 60 | 60 | 12 | 30 | M10 | 6,6 | 11 |
| K1057.0660601121 | black powder-coated | I | 6 | 60x60 | 60 | 60 | 12 | 30 | M12 | 6,6 | 11 |
| K1057.0660601161 | black powder-coated | I | 8 | 60x60 | 60 | 60 | 16 | 40 | M16 | 9 | 15 |
| K1057.0840801081 | black powder-coated | I | 8 | 40x80 | 40 | 80 | 16 | 40 | M8 | 9 | 15 |
| K1057.0840801101 | black powder-coated | I | 8 | 40x80 | 40 | 80 | 16 | 40 | M10 | 9 | 15 |
| K1057.0840801121 | black powder-coated | I | 8 | 40x80 | 40 | 80 | 16 | 40 | M12 | 9 | 15 |
| K1057.0840801161 | black powder-coated | I | 8 | 40x80 | 40 | 80 | 16 | 40 | M16 | 9 | 15 |
| K1057.0880801081 | black powder-coated | I | 8 | 80x80 | 80 | 80 | 16 | 40 | M8 | 9 | 15 |
| K1057.0880801101 | black powder-coated | I | 8 | 80x80 | 80 | 80 | 16 | 40 | M10 | 9 | 15 |
| K1057.0880801121 | black powder-coated | I | 8 | 80x80 | 80 | 80 | 16 | 40 | M12 | 9 | 15 |
| K1057.0880801161 | black powder-coated | I | 8 | 80x80 | 80 | 80 | 16 | 40 | M16 | 9 | 15 |
| K1057.0830602081 | black powder-coated | B | 8 | 30x60 | 30 | 60 | 12 | 30 | M8 | 9 | 15 |
| K1057.0830602121 | black powder-coated | B | 8 | 30x60 | 30 | 60 | 12 | 30 | M12 | 9 | 15 |
| K1057.0830602101 | black powder-coated | B | 8 | 30x60 | 30 | 60 | 12 | 30 | M10 | 9 | 15 |
| K1057.1045902101 | black powder-coated | B | 10 | 45x90 | 45 | 90 | 16 | 45 | M10 | 14,5 | 20 |
| K1057.1045902121 | black powder-coated | B | 10 | 45x90 | 45 | 90 | 16 | 45 | M12 | 14,5 | 20 |
| K1057.1045902141 | black powder-coated | B | 10 | 45x90 | 45 | 90 | 16 | 45 | M14 | 14,5 | 20 |
| K1057.1045902161 | black powder-coated | B | 10 | 45x90 | 45 | 90 | 16 | 45 | M16 | 14,5 | 20 |
| K1057.1045902201 | black powder-coated | B | 10 | 45x90 | 45 | 90 | 16 | 45 | M20 | 14,5 | 20 |
| K1057.1090902101 | black powder-coated | B | 10 | 90x90 | 90 | 90 | 16 | 45 | M10 | 14,5 | 20 |
| K1057.1090902121 | black powder-coated | B | 10 | 90x90 | 90 | 90 | 16 | 45 | M12 | 14,5 | 20 |
| K1057.1090902141 | black powder-coated | B | 10 | 90x90 | 90 | 90 | 16 | 45 | M14 | 14,5 | 20 |
| K1057.1090902161 | black powder-coated | B | 10 | 90x90 | 90 | 90 | 16 | 45 | M16 | 14,5 | 20 |
| K1057.1090902201 | black powder-coated | B | 10 | 90x90 | 90 | 90 | 16 | 45 | M20 | 14,5 | 20 |



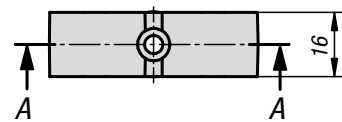
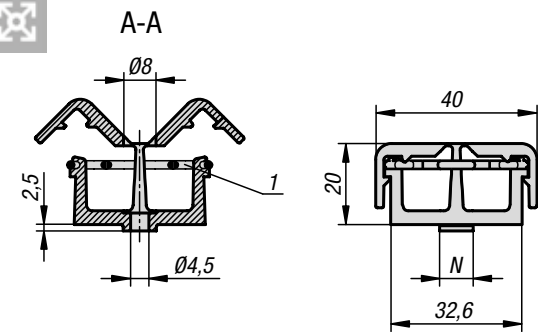
Cable tie block



KIPP Cable tie block

| Order No. | Slot width |
|-----------|------------|
| K1278.01 | 5-12 |

Cable clips



KIPP Cable clips

| Order No. | Slot width | N |
|-----------|------------|----|
| K1279.00 | - | - |
| K1279.08 | 8 | 8 |
| K1279.10 | 10 | 10 |



Material:
Polyamide fibreglass reinforced.

Version:
Black.

Sample order:
K1278.01

Note:
The cable tie block is a fastening component for cables and hoses. Can be mounted on panel elements or aluminium profiles (5 to 12 mm slots) with a cap screw or pan head screw and a slot key.

The cables and hoses are held in place using cable ties.



Material:
Polyamide.
O-ring FPM 70.

Version:
Black.

Sample order:
K1279.00

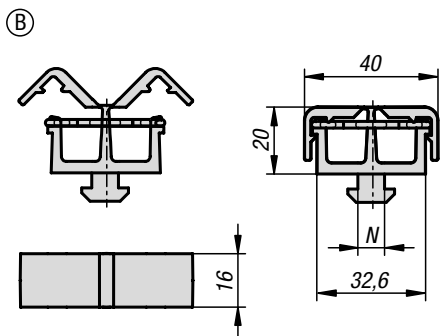
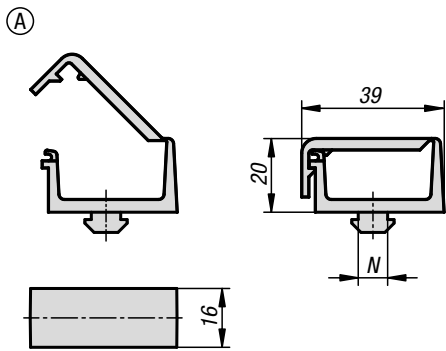
Note:
The cable clip is a fastening component for cables and hoses with a diameter of up to 12 mm.

Can be mounted on panel elements or aluminium profiles (8 or 10 mm slots) with a cap screw or pan head screw and a slot key. The cables are held in place by the stretched O-ring.

With two separate channels.

Drawing reference:
1) O-ring

Cable clips with T-slot key



Material:
Polyamide.
O-ring FPM 70.

Version:
Black.

Sample order:
K1280.1108

Note:
The cable clip is a fastening component for cables and hoses with a diameter up to 12 mm.

The clip is mounted by inserting the T-key into a T-slot and twisting through 90°. The cables are held in place by the stretched O-ring.

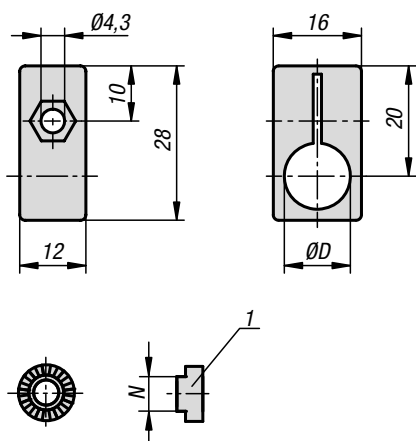
Form A: with one channel.
Form B: with two separate channels.



KIPP Cable clips with T-slot key

| Order No. Form A | Order No. Form B | Version 2 | Slot width | N |
|---------------------|---------------------|-----------|------------|----|
| K1280.1108 | K1280.2108 | type I | 8 | 8 |
| K1280.1208 | K1280.2208 | type B | 8 | 8 |
| K1280.1210 | K1280.2210 | type B | 10 | 10 |

Sensor holders



Material:
Polyamide fibreglass reinforced.

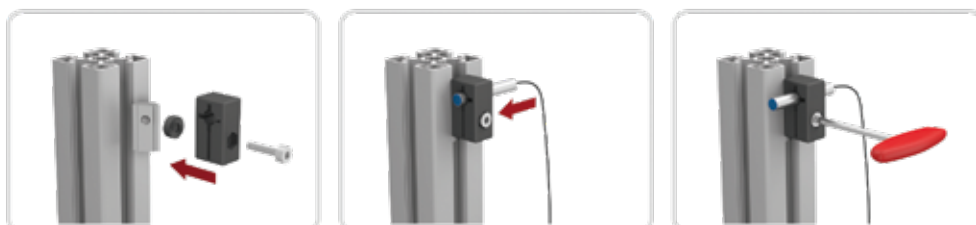
Version:
Black.

Sample order:
K1281.080

Note:
For fastening sensors and limit switches to aluminium profiles or panel elements.

Fastening pieces are available for various aluminium profile slot sizes. The fastening piece provides a positive rotation lock and can be adjusted in 15 increments. With no fastening piece the sensor holder can be infinitely adjusted in the angle.

Drawing reference:
1) Fastening piece

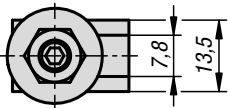
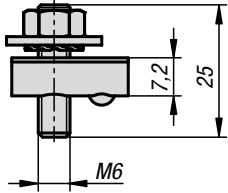


KIPP Sensor holders

| Order No. | Item | D | N |
|-----------|-----------------|----|----|
| K1281.080 | Sensor Holder | 8 | - |
| K1281.120 | Sensor Holder | 12 | - |
| K1281.905 | Fastening Piece | - | 5 |
| K1281.906 | Fastening Piece | - | 6 |
| K1281.908 | Fastening Piece | - | 8 |
| K1281.910 | Fastening Piece | - | 10 |

Earthing terminal

type I



KIPP Earthing terminal type I

| Order No. | Version 2 | Slot width |
|------------|-----------|------------|
| K1282.0806 | type I | 8 |



Material:

Slot key, grub screw and serrated washer, steel.
Nut and washer, brass.

Version:

Slot key, grub screw and serrated washer, electro zinc-plated.

Sample order:

K1282.0806

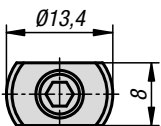
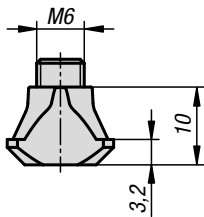
Note:

For protecting installations and persons. Connectors for earthing aluminium profile structures and interconnecting the aluminium profiles by integrating them into the protective earth (PE) system. Conductive contact is established through defined destruction of the oxide layer in the slot base and on the slot flanks.

The cable lug must be positioned between the serrated washer and the washer during assembly.

Potential equaliser

type I



KIPP Potential equaliser type I

| Order No. | Version 2 | Slot width |
|------------|-----------|------------|
| K1283.0806 | type I | 8 |



Material:

Steel.

Version:

Electro zinc-plated.

Sample order:

K1283.0806

Note:

For generating electrostatic discharge (ESD). For safely equalising electrostatic charge of profiles. It is swivelled into the slot and screwed against the profiles at a 45° angle. A conductive connection is established by breaking through the oxide layer.

Attention:

A potential equaliser is not an electrical connection of the protective earth (PE) system.