

# Tension levers flat external thread, stainless steel, 15°

## Item description/product images



## Description

### Material:

Steel parts stainless steel 1.4305.

Ball knob black plastic.

### Version:

Steel parts bright.

### On request:

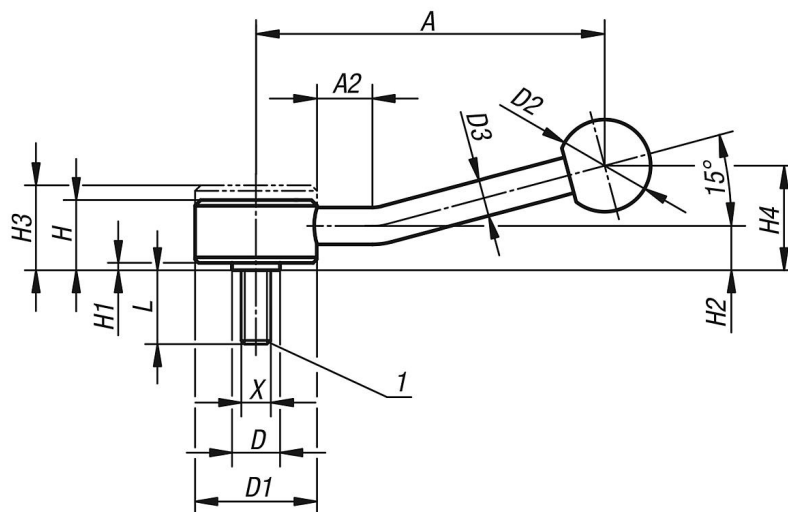
Other threads, screw lengths and special versions.

Dimensions "H1" and "A" available in other lengths at extra charge.

### Drawing reference:

1) flat point DIN EN ISO 4753

## Drawings



## Overview of items

Order No.	Form	X	A=Handle length	A2	D	D1	D2	D3	H	H1	H2	H3	H4	No. of teeth	L
K0129.1082X30	15°	M8	100	15	13,5	33	25	10	19	2	12	23	29	26	30
K0129.1082X40	15°	M8	100	15	13,5	33	25	10	19	2	12	23	29	26	40
K0129.1082X50	15°	M8	100	15	13,5	33	25	10	19	2	12	23	29	26	50
K0129.2102X30	15°	M10	127	15	19	41	30	12	22	2	13,5	26	38	30	30
K0129.2102X40	15°	M10	127	15	19	41	30	12	22	2	13,5	26	38	30	40
K0129.2102X50	15°	M10	127	15	19	41	30	12	22	2	13,5	26	38	30	50
K0129.2102X60	15°	M10	127	15	19	41	30	12	22	2	13,5	26	38	30	60
K0129.2122X30	15°	M12	127	15	19	41	30	12	22	2	13,5	26	38	30	30
K0129.2122X40	15°	M12	127	15	19	41	30	12	22	2	13,5	26	38	30	40
K0129.2122X50	15°	M12	127	15	19	41	30	12	22	2	13,5	26	38	30	50
K0129.2122X60	15°	M12	127	15	19	41	30	12	22	2	13,5	26	38	30	60
K0129.3162X40	15°	M16	145	15	23	45	37	14	28	2	17	33	48	36	40
K0129.3162X50	15°	M16	145	15	23	45	37	14	28	2	17	33	48	36	50
K0129.3162X60	15°	M16	145	15	23	45	37	14	28	2	17	33	48	36	60

