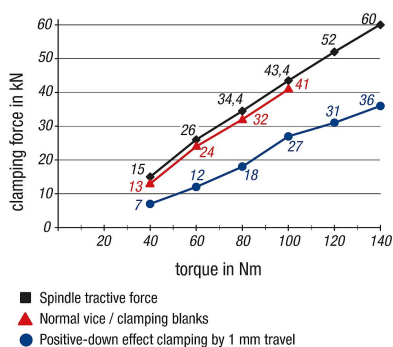


# KIPPflexX 5-axis vice jaw plates smooth

## Item description/product images



5-axis vice KIPPflexX clamping force diagram



## Description

### Product description:

The KIPPflexX 5-axis vice features excellent stability and flexibility, and is extremely easy to use. The KIPPflexX 5-axis vice can be used as a positive-down force vice or normal vice. When the positive down force function is used, the workpiece can be held with a repeat accuracy of  $\pm 0.01$  mm. A workpiece clamping height of 155/180 mm enables easy access during machining. The clamping width is preset using the crank handle, cutting down on setup times. Additionally, the closed geometries and the resistance to dirt that they provide keep maintenance and repair times to a minimum.

### Material:

Steel.

### Version:

Baseplate and workpiece support hardened.

### Note:

Additional product information can be found in the operating instructions.

### Type of operation:

Quick adjustment using crank handle.

### Advantages:

For use as centric-clamping device with positive down force function or vice. Straightforward, infinite clamping width adjustment using crank handle. Optimum clamping height for 5-axis machining. Flexible options for connection to machine tables.

### On request:

Various spare parts, larger clamping widths.

### Supplied with:

Depending on the baseplate length, see operating instructions.

### Accessory:

Baseplates K1556  
 Jaw plates with pins K1557  
 Combination jaw plates, smooth/with pins K1557  
 Jaw plates, machinable K0975  
 Seating ledges K0974  
 Extension shafts K0990  
 Cylinder clamping set K0989  
 Stop set K0993  
 Clamping pin K0967.140250516, K0967.240250516  
 Clamping claw sets K1008  
 Slot nuts K0954.1814X20  
 Fitted bolts K0815.12065  
 Socket head screws K0869.12X60  
 Torque wrench K1489.01

### Clamping force:

see diagram

### Applications:

## KIPPflexX 5-axis vice jaw plates smooth

### Item description/product images



Suitable for T-slot and grid hole tables and zero-point clamping systems.  
Size 282.84mm for diagonal alignment on zero-point clamping systems with gauge 52/96/200mm.

**Tolerances:**

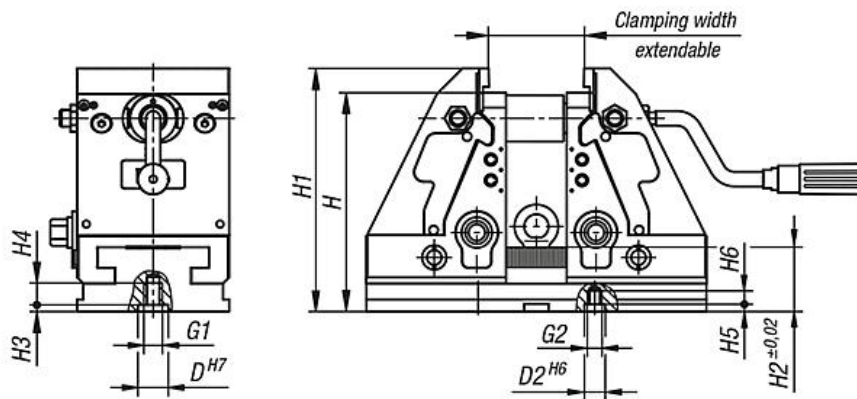
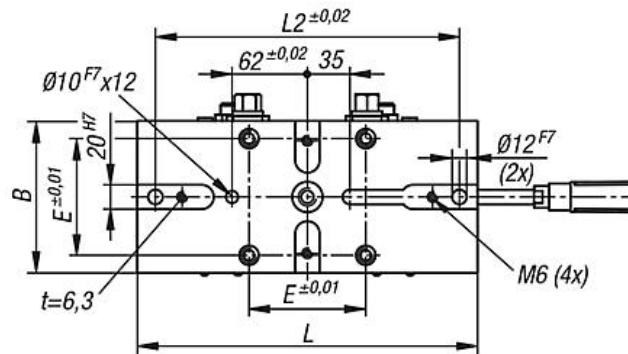
With a clamping depth of > 5 mm, the repeat accuracy while the positive down force function is being used is  $\pm 0.01$ .



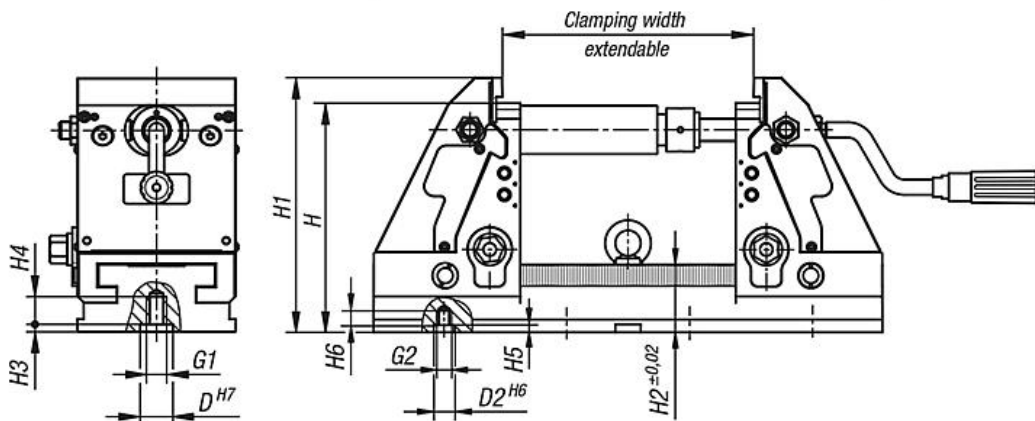
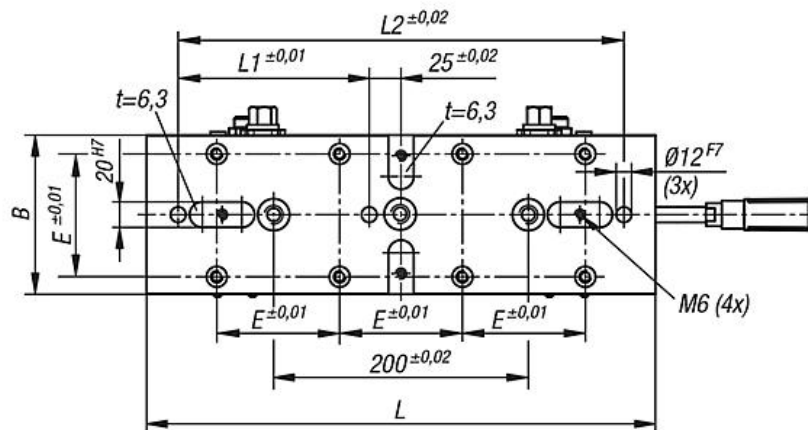
KIPPflexX 5-axis vice jaw plates smooth

Drawings

L = 280

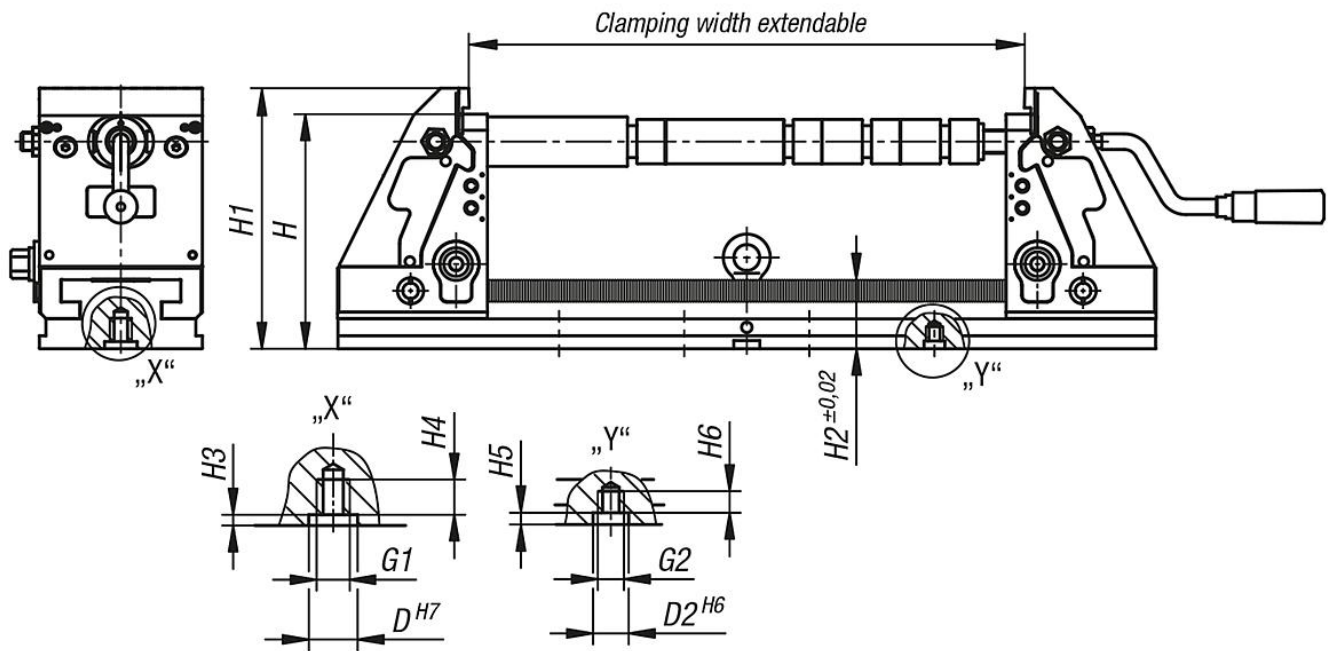
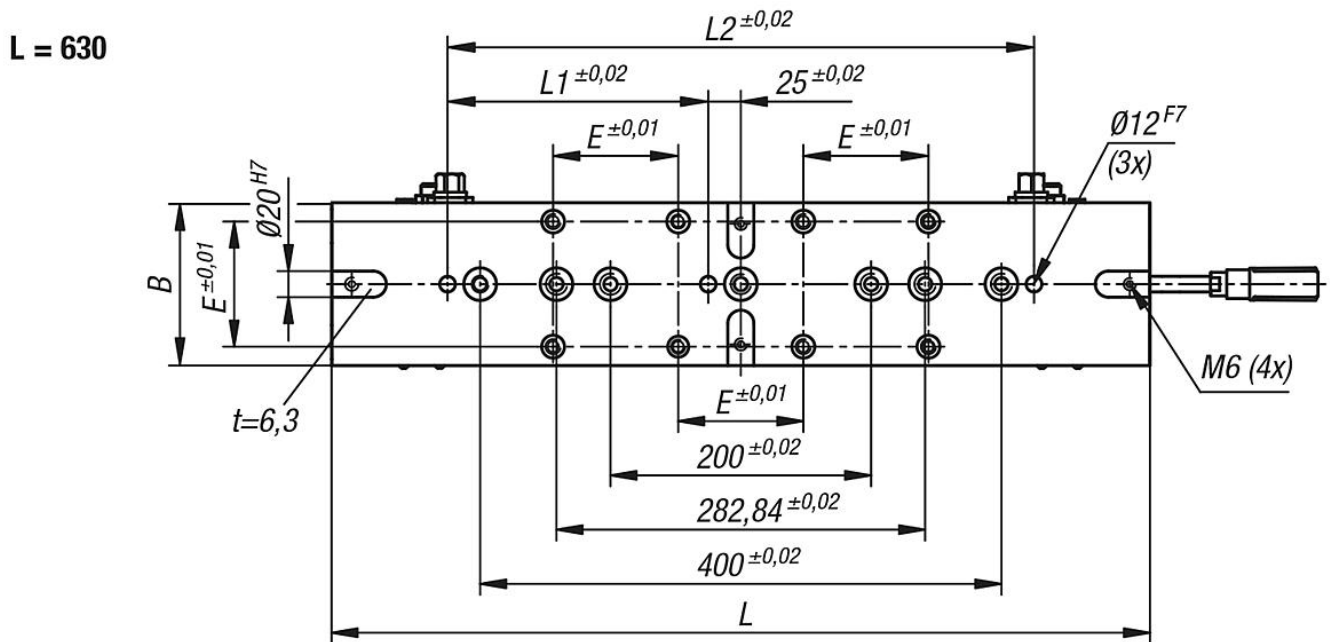


L = 400



KIPPflexX 5-axis vice jaw plates smooth

Drawings



Overview of items

KIPPflexX 5-axis vice jaw plates smooth

Order No.	B	L	H	L1	L2	H1	H2	H3	H4	H5	H6	D	D2	E	G1	G2	Clamping width extendable	Tractive force max. kN
K1555.122800901550	90	280	155	-	250	175	53	5,5	18	6	11	25H7	12H6	52	M12	M8	28-180	see diagram
K1555.124000901550	90	400	155	150	350	175	53	5,5	18	6	11	25H7	12H6	52	M12	M8	28-300	see diagram
K1555.122801251800	125	280	180	-	250	200	53	5,5	18	6	11	25H7	16H6	96	M12	M10	28-180	see diagram
K1555.124001251800	125	400	180	150	350	200	53	5,5	18	6	11	25H7	16H6	96	M12	M10	28-300	see diagram
K1555.126301251800	125	630	180	200	450	200	53	5,5	18	6	11	25H7	16H6	96	M12	M10	28-528	see diagram

