

# Material handling



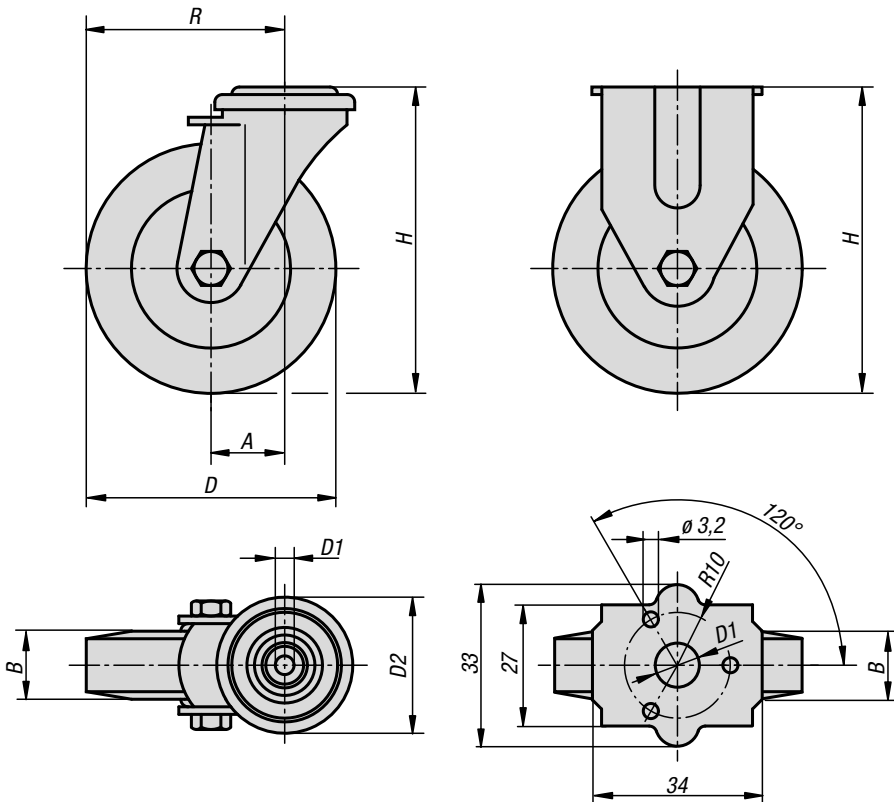
## Swivel and fixed castors

standard version



swivel castor

fixed castor



**Material:**

Housing steel plate.  
Wheel treads solid rubber.  
Wheel rims polyamide.

**Version:**

Housing press formed.  
Double ball bearing in the castor head.  
Plain bearing in wheels.

**Sample order:**

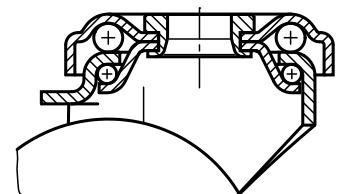
K1759.07525

**Note:**

Wheel axle bolted.  
Swivel and fixed castors with bolt hole.  
Wheels grey, non-marking.



swivel head bearing



### KIPP Swivel and fixed castors standard version

Order No. Fixed castor without locking system	Order No. Swivel castor without locking system	Order No. Swivel castor with stop-fix locking system	Wheel bearing	A	B	D	D1	D2	H	R	Permissible load kg
K1759.050181	K1759.05018	K1759.050182	plain bearing	-/25/25	18	50	11	-/43/43	69	-/50/50	40
K1759.075251	K1759.07525	K1759.075252	plain bearing	-/28/28	25	75	11	-/43/43	98	-/65,5/65,5	60
-	K1759.10025	K1759.100252	plain bearing	33/33	25	100	11	43/43	121	83/83	70

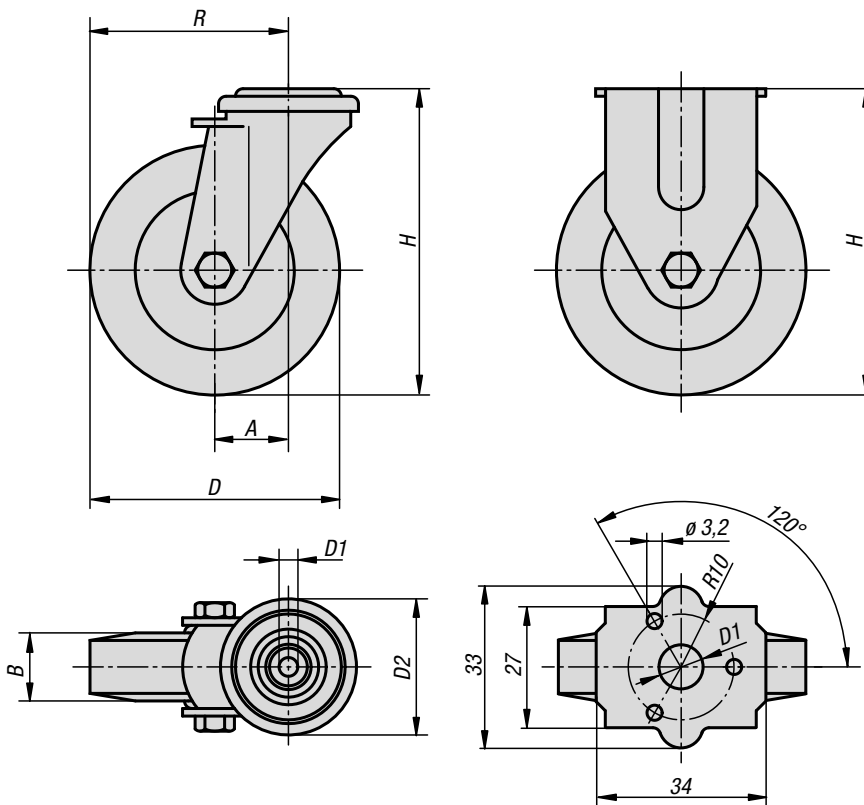
## Swivel and fixed castors

electrically conductive, standard version



swivel castor

fixed castor



**Material:**

Housing steel plate.  
Wheels with thermoplastic rubber tread.  
Wheel body polypropylene.

**Version:**

Housing press formed.  
Double ball bearing in the castor head.  
Plain bearing in wheels.

**Sample order:**

K1759.1105019

**Note:**

Wheel axle threaded. Swivel and fixed castors with bolt hole. Electrically conductive wheels, non-marking grey. The ohmic resistance of the wheel is less than  $10^4 \Omega$ .

**Application:**

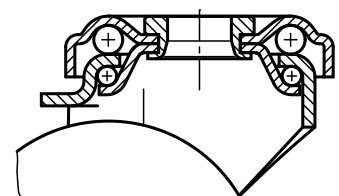
Electrically conductive wheels on swivel and fixed castors are used to protect against electrostatic discharge generated by transport equipment or the transported goods. Damage to sensitive goods and painful electrostatic shocks to the personal is so prevented.

**Temperature range:**

-20 °C to +60 °C.



swivel head bearing



### KIPP Swivel and fixed castors standard version Swivel and fixed castors electrically conductive, standard version

Order No. Fixed castor without locking system	Order No. Swivel castor without locking system	Order No. Swivel castor with stop-fix locking system	Wheel bearing	A	B	D	D1	D2	H	R	Permissible load kg
K1759.11050191	K1759.1105019	K1759.11050192	plain bearing	-/25/25	19	50	11	-/43/43	69	-/50/50	30
K1759.11075251	K1759.1107525	K1759.11075252	plain bearing	-/29/29	25	75	11	-/43/43	98	-/66,5/66,5	50
-	K1759.1110025	K1759.11100252	plain bearing	33/33	25	100	11	43/43	121	83/83	60

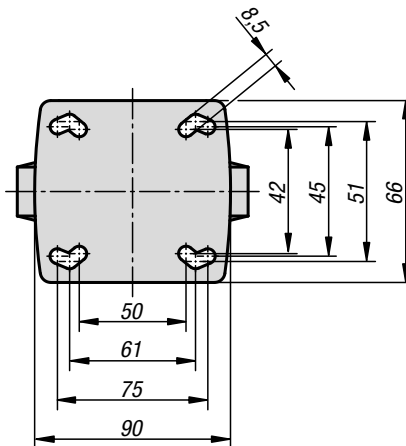
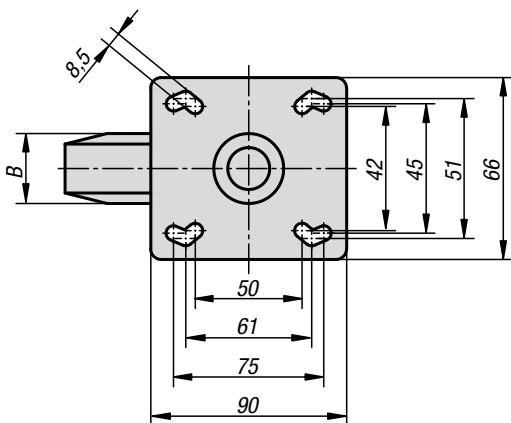
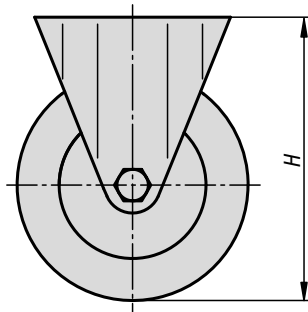
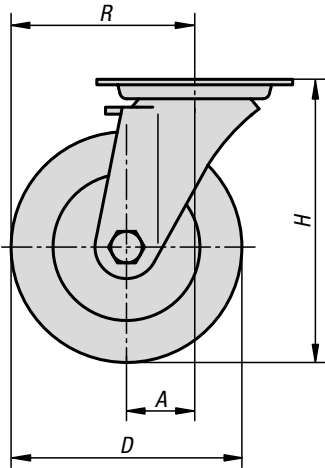
## Swivel and fixed castors

heavy-duty version



swivel castor

fixed castor



**Material:**

Housing steel plate.  
Wheel treads solid rubber.  
Wheel rims polyamide.

**Version:**

Housing press formed.  
Double ball bearing in the castor head.  
Plain bearing in wheels.

**Sample order:**

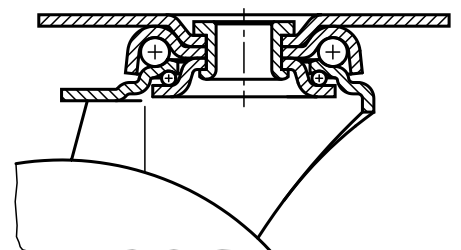
K1760.10032

**Note:**

Wheel axle bolted.  
Solid rubber tyres are shock and impact proof and non-corroding.



swivel head bearing



### KIPP Swivel and fixed castors heavy-duty version

Order No. Fixed castor without locking system	Order No. Swivel castor without locking system	Order No. Swivel castor with stop-fix locking system	Wheel bearing	A	B	D	H	R	Permissible load kg
K1760.080251	K1760.08025	K1760.080252	plain bearing	-/40/40	25	80	111	-/80/80	60
K1760.100321	K1760.10032	K1760.100322	plain bearing	-/40/40	32	100	136	-/90/90	90
K1760.125251	K1760.12525	K1760.125252	plain bearing	-/40/40	25	125	161	-/102,5/102,5	80
K1760.125321	K1760.12532	K1760.125322	plain bearing	-/40/40	32	125	161	-/102,5/102,5	100

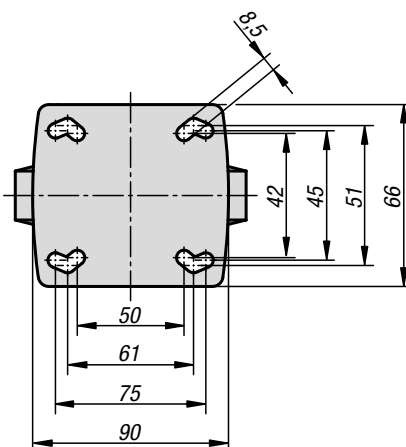
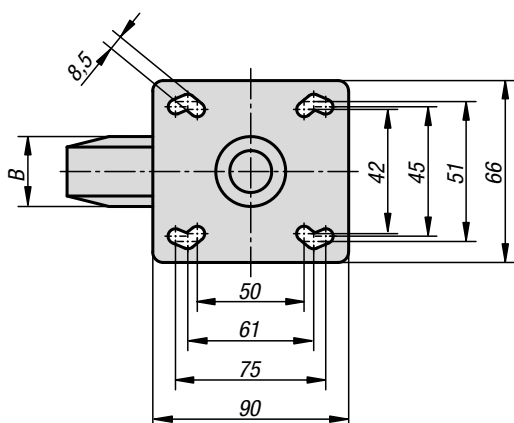
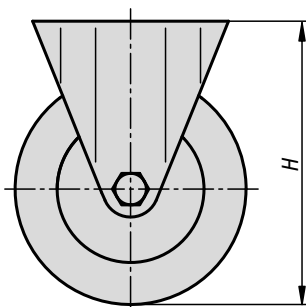
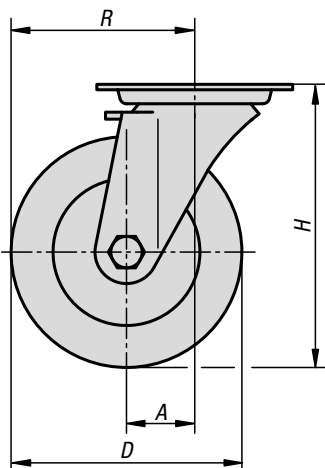
## Swivel and fixed castors

steel plate, electrically conductive, heavy-duty version



swivel castor

fixed castor



**Material:**

Housing steel plate.  
Wheels with thermoplastic rubber tread.  
Wheel body polypropylene.

**Version:**

Housing press formed.  
Double ball bearing in the castor head.  
Plain bearing in wheels.

**Sample order:**

K1760.1108032

**Note:**

Wheel axle threaded. Swivel and fixed castors with mounting plate. Electrically conductive wheels, non-marking grey. The ohmic resistance of the wheel is less than  $10^4 \Omega$ .

**Application:**

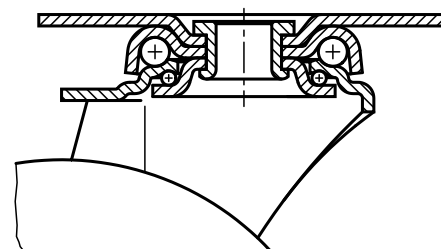
Electrically conductive wheels on swivel and fixed castors are used to protect against electrostatic discharge generated by transport equipment or the transported goods. Damage to sensitive goods and painful electrostatic shocks to the personal is so prevented.

**Temperature range:**

-20 °C to +60 °C.



swivel head bearing



### KIPP Swivel and fixed castors steel plate, electrically conductive, heavy-duty version

Order No. Fixed castor without locking system	Order No. Swivel castor without locking system	Order No. Swivel castor with stop-fix locking system	Wheel bearing	A	B	D	H	R	Permissible load kg
K1760.11080321	K1760.1108032	K1760.11080322	plain bearing	-/40/40	32	80	111	-/80/80	65
K1760.11100321	K1760.1110032	K1760.11100322	plain bearing	-/40/40	32	100	136	-/90/90	70
K1760.11125321	K1760.1112532	K1760.11125322	plain bearing	-/40/40	32	125	161	-/102,5/102,5	80

## Swivel and fixed castors

standard version

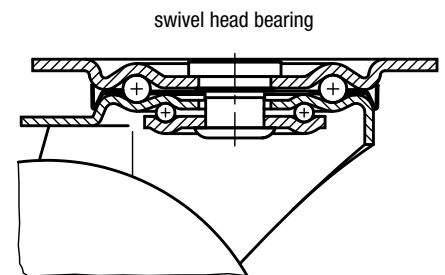
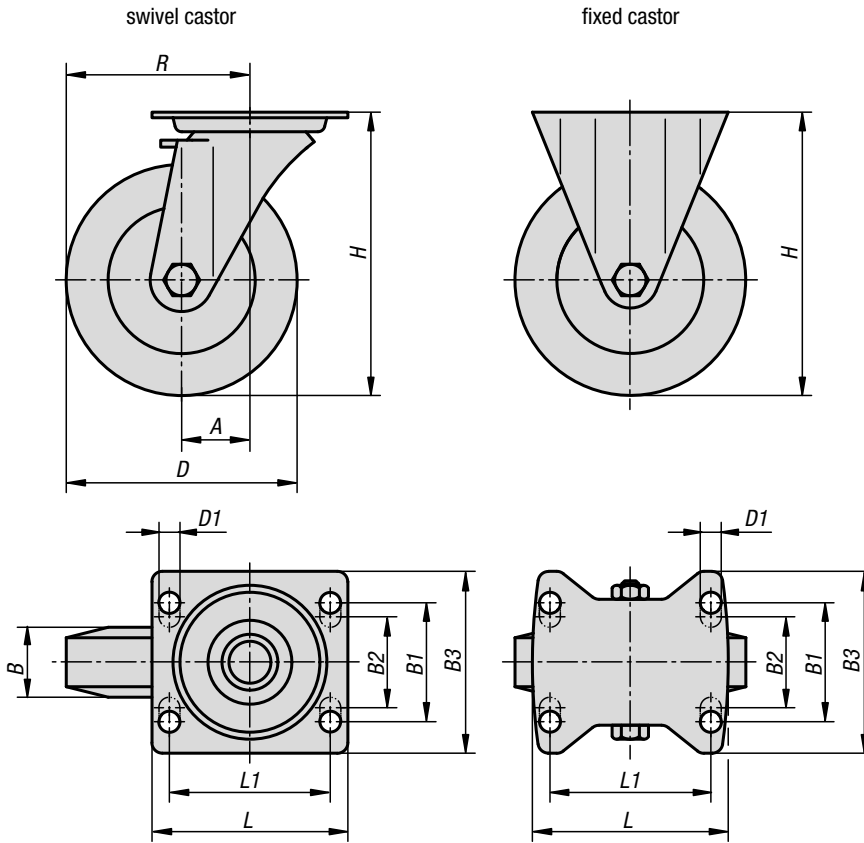


**Material:**  
Housing and wheel rim steel plate.  
Tyres solid rubber.  
Wheel hub steel tube.

**Version:**  
Housing and rim press formed.  
Double ball bearing with ball shield in castor head.  
Roller bearings in the wheels.

**Sample order:**  
K1761.10030

**Note:**  
Wheel axle bolted.



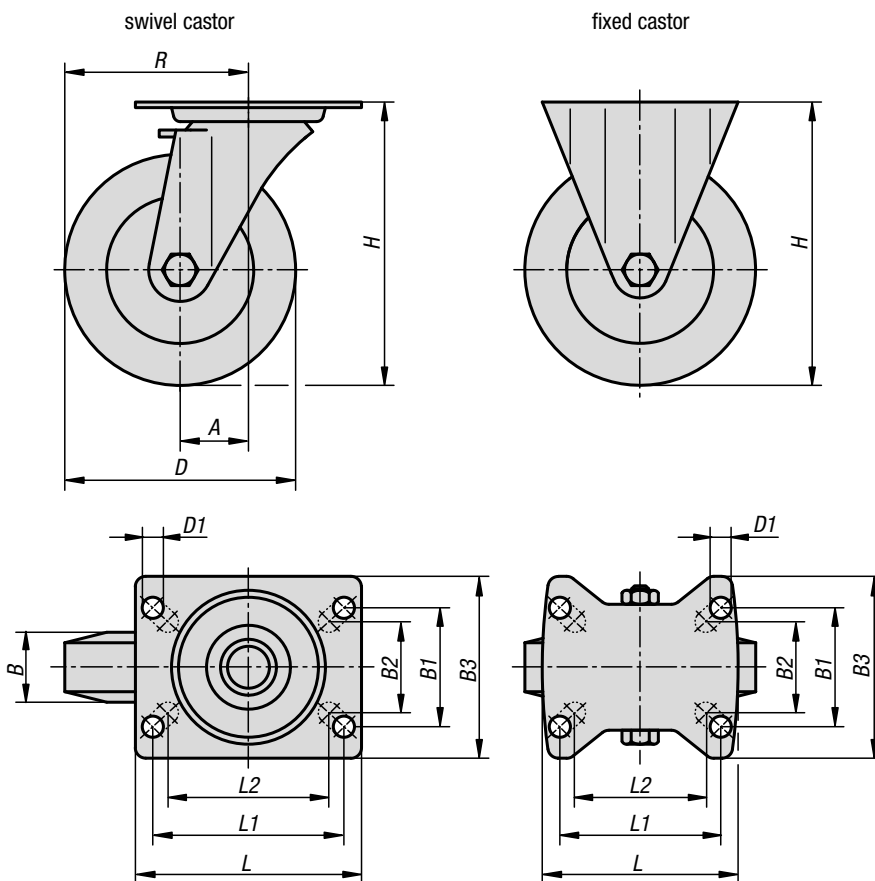
### KIPP Swivel and fixed castors standard version

Order No. Fixed castor without locking system	Order No. Swivel castor without locking system	Order No. Swivel castor with stop-fix locking system	Wheel bearing	A	B	B1	B2	B3	D	D1
K1761.080251	K1761.08025	K1761.080252	roller bearing	-/38/38	25	-	60	85	80	9
K1761.100301	K1761.10030	K1761.100302	roller bearing	-/36/36	30	-	60	85	100	9
K1761.125381	K1761.12538	K1761.125382	roller bearing	-/40/40	37,5	-	60	85	125	9
K1761.160401	K1761.16040	K1761.160402	roller bearing	-/60/60	40	75	80	110	160	11
K1761.200501	K1761.20050	K1761.200502	roller bearing	-/65/65	50	75	80	110	200	11

Order No. Fixed castor without locking system	Order No. Swivel castor without locking system	Order No. Swivel castor with stop-fix locking system	Wheel bearing	L	L1	H	R	Permissible load kg
K1761.080251	K1761.08025	K1761.080252	roller bearing	100	80	102	-/78/78	50
K1761.100301	K1761.10030	K1761.100302	roller bearing	100	80	125	-/86/86	70
K1761.125381	K1761.12538	K1761.125382	roller bearing	100	80	150	-/102,5/102,5	100
K1761.160401	K1761.16040	K1761.160402	roller bearing	140	105	195	-/140/140	135
K1761.200501	K1761.20050	K1761.200502	roller bearing	140	105	235	-/165/165	205

## Swivel and fixed castors

steel plate, electrically conductive standard version



**Material:**

Housing steel plate.  
Wheels with thermoplastic rubber tread.  
Wheel body polypropylene.

**Version:**

Housing press formed.  
Double ball bearing in the castor head.  
Plain bearing in wheels.

**Sample order:**

K1761.1108032

**Note:**

Wheel axle threaded. Swivel and fixed castors with mounting plate. Electrically conductive wheels, non-marking grey. The ohmic resistance of the wheel is less than  $10^4 \Omega$ .

**Application:**

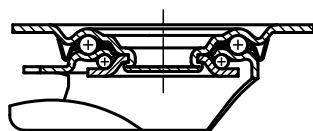
Electrically conductive wheels on swivel and fixed castors are used to protect against electrostatic discharge generated by transport equipment or the transported goods. Damage to sensitive goods and painful electrostatic shocks to the personal is so prevented.

**Temperature range:**

-20 °C to +60 °C.



swivel head bearing:



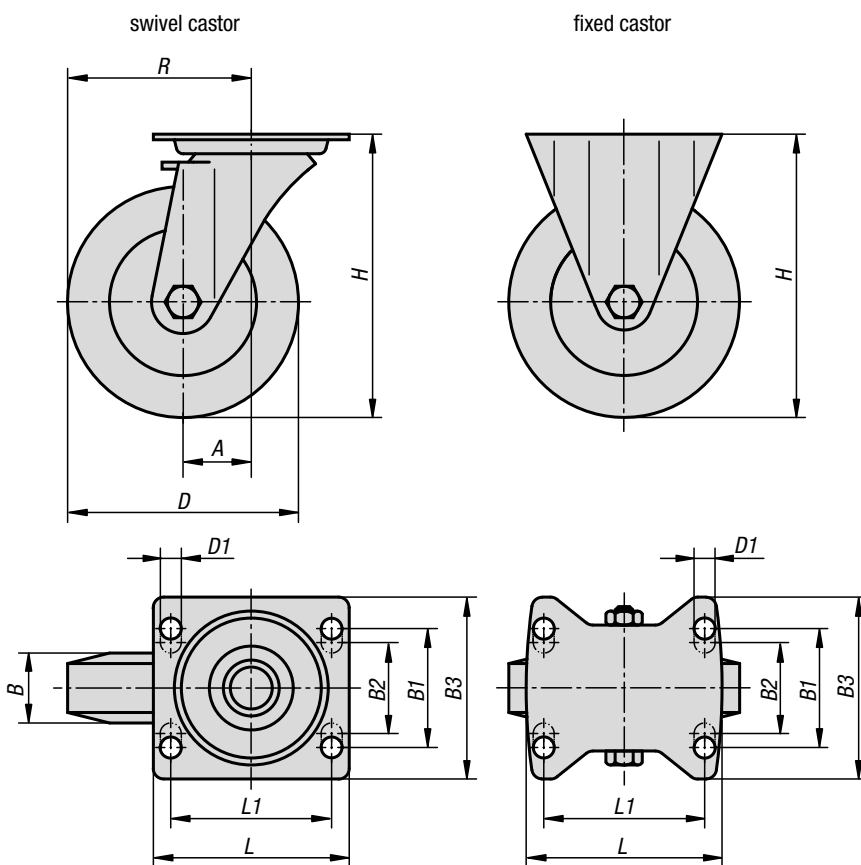
### KIPP Swivel and fixed castors, steel plate, electrically conductive standard version

Order No. Fixed castor without locking system	Order No. Swivel castor without locking system	Order No. Swivel castor with stop-fix locking system	Wheel bearing	A	B	B1	B2	B3	D	D1
K1761.11080321	K1761.1108032	K1761.11080322	plain bearing	-/38/38	32	55	60	85	80	9
K1761.11100321	K1761.1110032	K1761.11100322	plain bearing	-/36/36	32	55	60	85	100	9
K1761.11125321	K1761.1112532	K1761.11125322	plain bearing	-/40/40	32	55	60	85	125	9
K1761.11160401	K1761.1116040	K1761.11160402	plain bearing	-/54/54	40	75	80	110	160	11
K1761.11200401	K1761.1120040	K1761.11200402	plain bearing	-/54/54	40	75	80	110	200	11

Order No. Fixed castor without locking system	Order No. Swivel castor without locking system	Order No. Swivel castor with stop-fix locking system	Wheel bearing	L	L1	L2	H	R	Permissible load kg
K1761.11080321	K1761.1108032	K1761.11080322	plain bearing	100	80	76	102	-/78/78	65
K1761.11100321	K1761.1110032	K1761.11100322	plain bearing	100	80	76	125	-/86/86	70
K1761.11125321	K1761.1112532	K1761.11125322	plain bearing	100	80	76	150	-/102,5/102,5	80
K1761.11160401	K1761.1116040	K1761.11160402	plain bearing	140	105	-	195	-/134/134	130
K1761.11200401	K1761.1120040	K1761.11200402	plain bearing	140	105	-	235	-/154/154	160

## Swivel and fixed castors

standard version



**Material:**

Housing steel plate.  
Wheel body PA 6 with vulcanised elastic solid rubber tyre.

**Version:**

Housing press formed.  
Double ball bearing with ball shield in castor head.  
Roller bearings in the wheels.

**Sample order:**

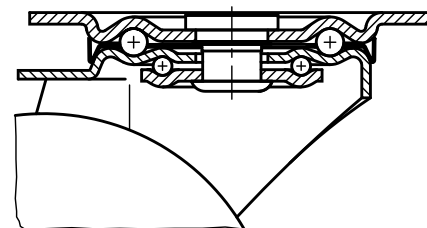
K1762.12537

**Note:**

Wheel axle bolted.  
Wheels are shock and impact proof.



swivel head bearing



### KIPP Swivel and fixed castors standard version

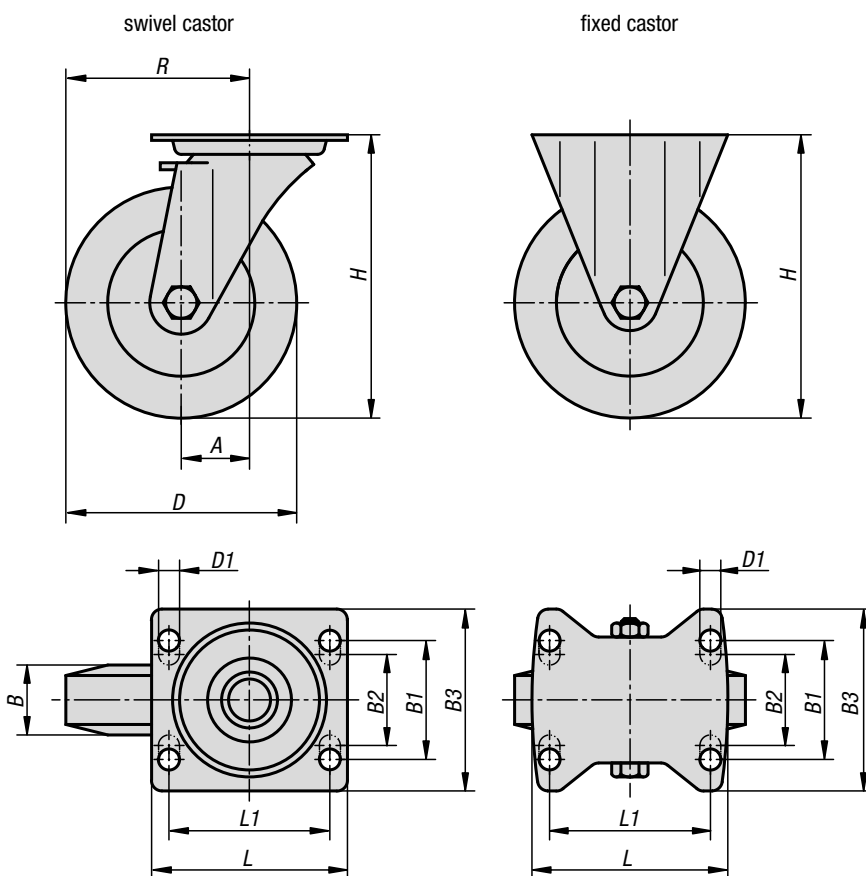
Order No. Fixed castor without locking system	Order No. Swivel castor without locking system	Order No. Swivel castor with stop-fix locking system	Wheel bearing	A	B	B1	B2	B3	D	D1
K1762.100371	K1762.10037	K1762.100372	roller bearing	-/36/36	32	-	60	85	100	9
K1762.125371	K1762.12537	K1762.125372	roller bearing	-/40/40	37	-	60	85	125	9
K1762.160501	K1762.16050	K1762.160502	roller bearing	-/60/60	50	75	80	110	160	11
K1762.200501	K1762.20050	K1762.200502	roller bearing	-/65/65	50	75	80	110	200	11

Order No. Fixed castor without locking system	Order No. Swivel castor without locking system	Order No. Swivel castor with stop-fix locking system	Wheel bearing	H	L	L1	R	Permissible load kg
K1762.100371	K1762.10037	K1762.100372	roller bearing	125	100	80	-/86/86	170
K1762.125371	K1762.12537	K1762.125372	roller bearing	150	100	80	-/102,5/102,5	200
K1762.160501	K1762.16050	K1762.160502	roller bearing	195	140	105	-/140/140	350
K1762.200501	K1762.20050	K1762.200502	roller bearing	235	140	105	-/165/165	400



## Swivel and fixed castors

heavy-duty version

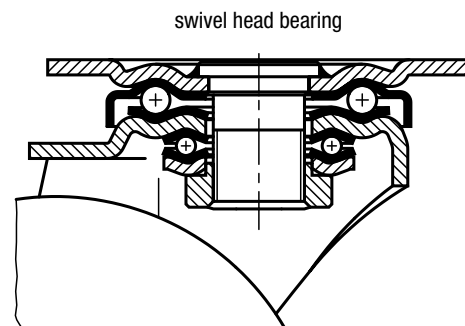


**Material:**  
Housing thick steel plate.  
Tyres steel-wire reinforced elastic solid rubber.  
Wheel body welded steel.

**Version:**  
Housing press formed.  
Reinforced fork, base plate and centre pin.  
Double ball bearing with hardened shells in the castor head.  
Precision ball bearings in the wheels.

**Sample order:**  
K1763.12550

**Note:**  
These castors are particularly impact and shock proof and assure a high service life.  
Wheel axle bolted.



### KIPP Swivel and fixed castors heavy-duty version

Order No. Fixed castor without locking system	Order No. Swivel castor without locking system	Order No. Swivel castor with stop-top locking system	Wheel bearing	A	B	B1	B2	B3	D	D1
K1763.100401	K1763.10040	K1763.100402	ball bearing	-/45/45	40	60	-	85	100	9
K1763.125501	K1763.12550	K1763.125502	ball bearing	-/55/55	50	80	75	110	125	11
K1763.160501	K1763.16050	K1763.160502	ball bearing	-/65/65	50	80	75	110	160	11
K1763.200501	K1763.20050	K1763.200502	ball bearing	-/70/70	50	80	75	110	200	11
K1763.250601	K1763.25060	K1763.250602	ball bearing	-/82/82	60	80	75	110	250	11

Order No. Fixed castor without locking system	Order No. Swivel castor without locking system	Order No. Swivel castor with stop-top locking system	Wheel bearing	H	L	L1	R	Permissible load kg
K1763.100401	K1763.10040	K1763.100402	ball bearing	140	100	80	-/95/95	180
K1763.125501	K1763.12550	K1763.125502	ball bearing	170	140	105	-/117,5/117,5	280
K1763.160501	K1763.16050	K1763.160502	ball bearing	202	140	105	-/145/145	400
K1763.200501	K1763.20050	K1763.200502	ball bearing	245	140	105	-/170/170	500
K1763.250601	K1763.25060	K1763.250602	ball bearing	295	140	105	-/207/207	700

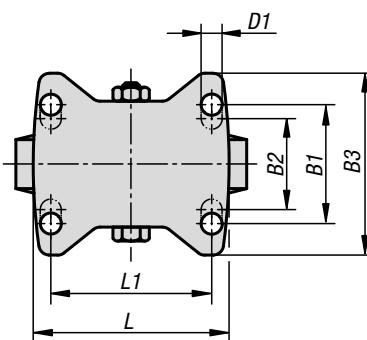
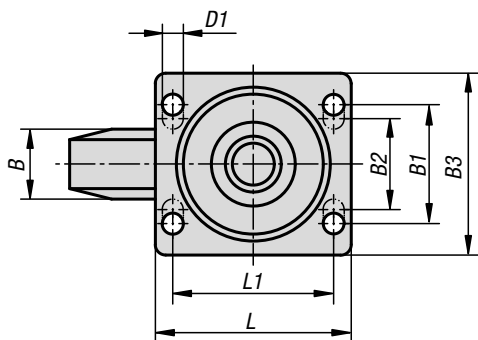
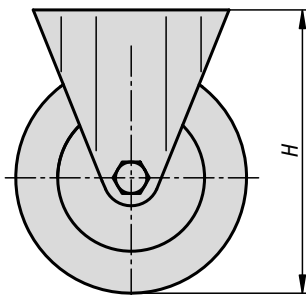
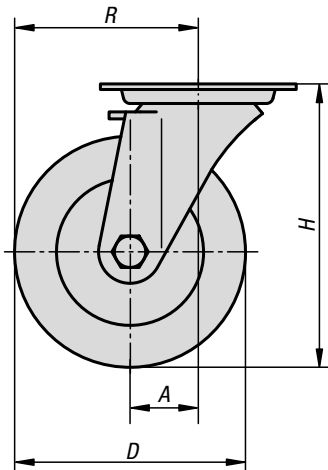
## Swivel and fixed castors

standard version



swivel castor

fixed castor



**Material:**

Housing steel plate.

Wheel body PA 6 with abrasion-resistant polyurethane tread.

**Version:**

Housing press formed.

Double ball bearing with ball shield in the castor head.

Plain bearing in the wheels.

**Sample order:**

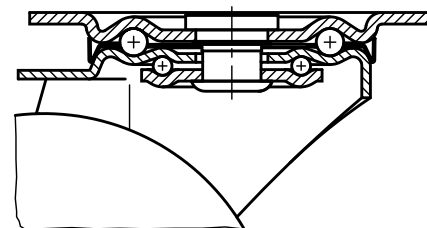
K1764.12535

**Note:**

The wheels are unbreakable, maintenance-free and non-corroding. Wheel axle bolted. Tread non-marking.



swivel head bearing



### KIPP Swivel and fixed castors standard version

Order No. Fixed castor without locking system	Order No. Swivel castor without locking system	Order No. Swivel castor with stop-fix locking system	Wheel bearing	A	B	B1	B2	B3	D	D1
K1764.100351	K1764.10035	K1764.100352	plain bearing	-/36/36	35	60	-	85	100	9
K1764.125351	K1764.12535	K1764.125352	plain bearing	-/40/40	40	60	-	85	125	9
K1764.150401	K1764.15040	K1764.150402	plain bearing	-/60/60	45	80	75	110	150	11
K1764.200501	K1764.20050	K1764.200502	plain bearing	-/65/65	50	80	75	110	200	11

Order No. Fixed castor without locking system	Order No. Swivel castor without locking system	Order No. Swivel castor with stop-fix locking system	Wheel bearing	H	L	L1	R	Permissible load kg
K1764.100351	K1764.10035	K1764.100352	plain bearing	125	100	80	-/86/86	200
K1764.125351	K1764.12535	K1764.125352	plain bearing	150	100	80	-/102,5/102,5	200
K1764.150401	K1764.15040	K1764.150402	plain bearing	190	140	105	-/135/135	400
K1764.200501	K1764.20050	K1764.200502	plain bearing	235	140	105	-/165/165	400

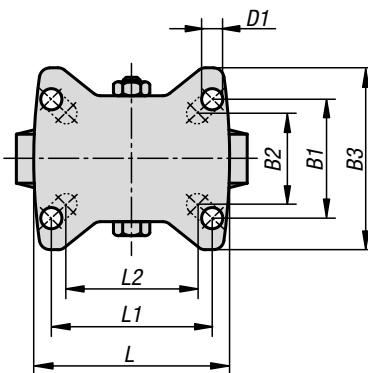
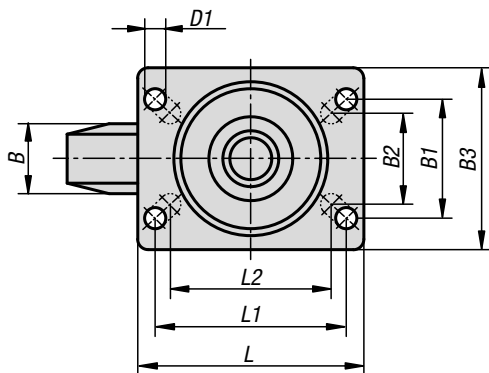
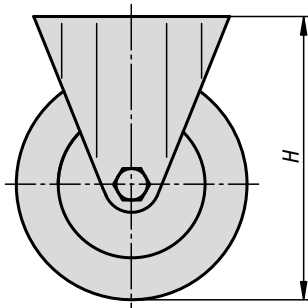
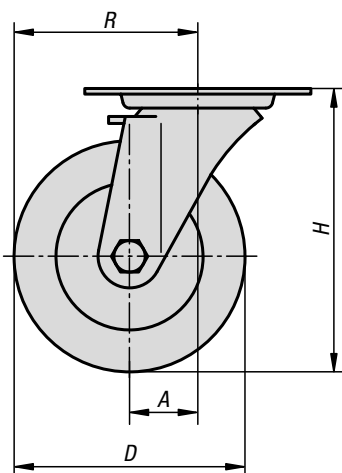
## Swivel and fixed castors

medium-duty version

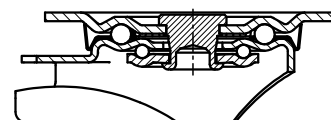


swivel castor

fixed castor



swivel head bearing:



**Material:**

Housing, steel plate.  
Wheel tread, high quality polyurethane elastomere.  
Wheel rims, die-cast aluminium.

**Version:**

Housing, press-formed.  
Swivel housing, double-row ball bearings in a swivel head.  
Ball bearing wheel axle bearings.

**Sample order:**

K1765.101000401

**Note:**

Wheel axle bolted.  
Swivel and fixed castors with mounting plate.

**Application:**

Heavy loads can be easily transported using this load handling equipment. The roll and swivel resistance is reduced with this new wheel series designed for intralogistic heavy load applications.

**Temperature range:**

-25 °C to +70 °C

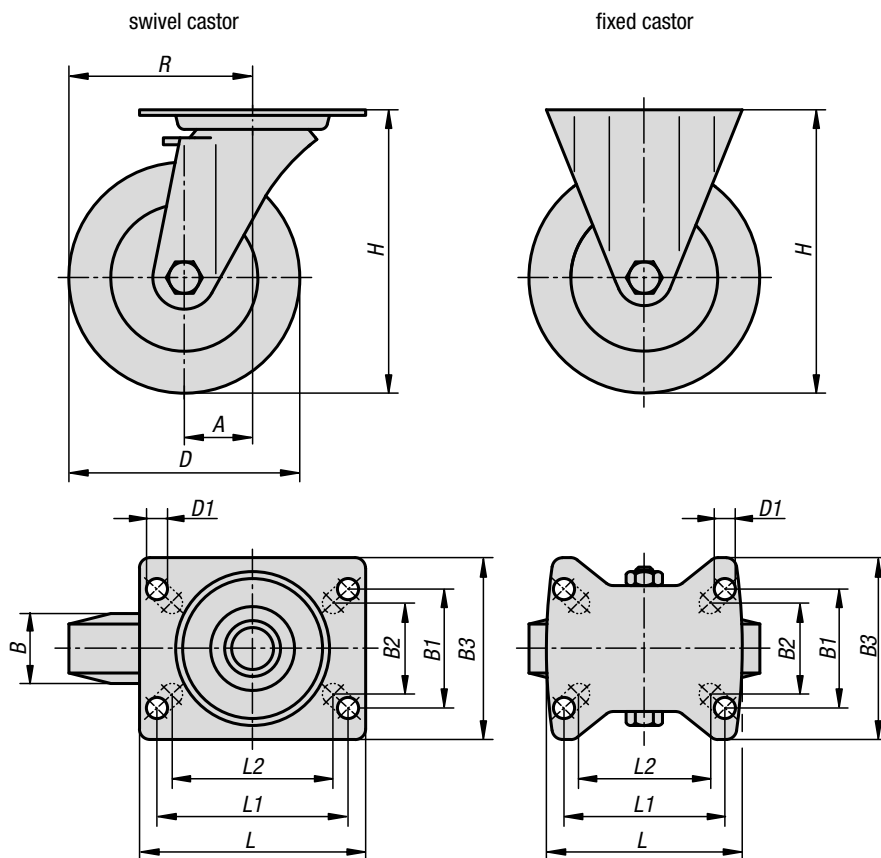
### KIPP Swivel and fixed castors medium-duty version

Order No. Fixed castor without locking system	Order No. Swivel castor without locking system	Order No. Swivel castor with stop-fix locking system	Wheel bearing	A	B	B1	B2	B3	D	D1
K1765.101000401	K1765.10100040	K1765.101000402	ball bearing	-/36/36	40	60	55	85	100	9
K1765.101250401	K1765.10125040	K1765.101250402	ball bearing	-/40/40	40	60	55	85	125	9
K1765.101500501	K1765.10150050	K1765.101500502	ball bearing	-/60/60	50	80	75	110	150	11
K1765.101600501	K1765.10160050	K1765.101600502	ball bearing	-/60/60	50	80	75	110	160	11
K1765.102000501	K1765.10200050	K1765.102000502	ball bearing	-/65/65	50	80	75	110	200	11

Order No. Fixed castor without locking system	Order No. Swivel castor without locking system	Order No. Swivel castor with stop-fix locking system	Wheel bearing	H	L	L1	L2	R	Permissible load kg
K1765.101000401	K1765.10100040	K1765.101000402	ball bearing	125	100	80	76	-/86/86	200
K1765.101250401	K1765.10125040	K1765.101250402	ball bearing	150	100	80	76	-/102,5/102,5	200
K1765.101500501	K1765.10150050	K1765.101500502	ball bearing	190	140	105	-	-/135/135	400
K1765.101600501	K1765.10160050	K1765.101600502	ball bearing	195	140	105	-	-/140/140	400
K1765.102000501	K1765.10200050	K1765.102000502	ball bearing	235	140	105	-	-/165/165	400

## Swivel and fixed castors

steel plate, heavy-duty version



**Material:**

Housing, steel plate.  
Wheel tread, high quality polyurethane elastomere.  
Wheel rims, die-cast aluminium.

**Version:**

Housing, press-formed.  
Swivel housing, double-row ball bearings in a swivel head.  
Ball bearing wheel axle bearings.

**Sample order:**

K1788.1012504011

**Note:**

Wheel axle bolted.  
Swivel and fixed castors with mounting plate.

**Application:**

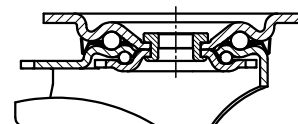
Heavy loads can be easily transported using this load handling equipment. The roll and swivel resistance is reduced with this new wheel series designed for intralogistic heavy load applications.

**Temperature range:**

-25 °C to +70 °C



swivel head bearing:



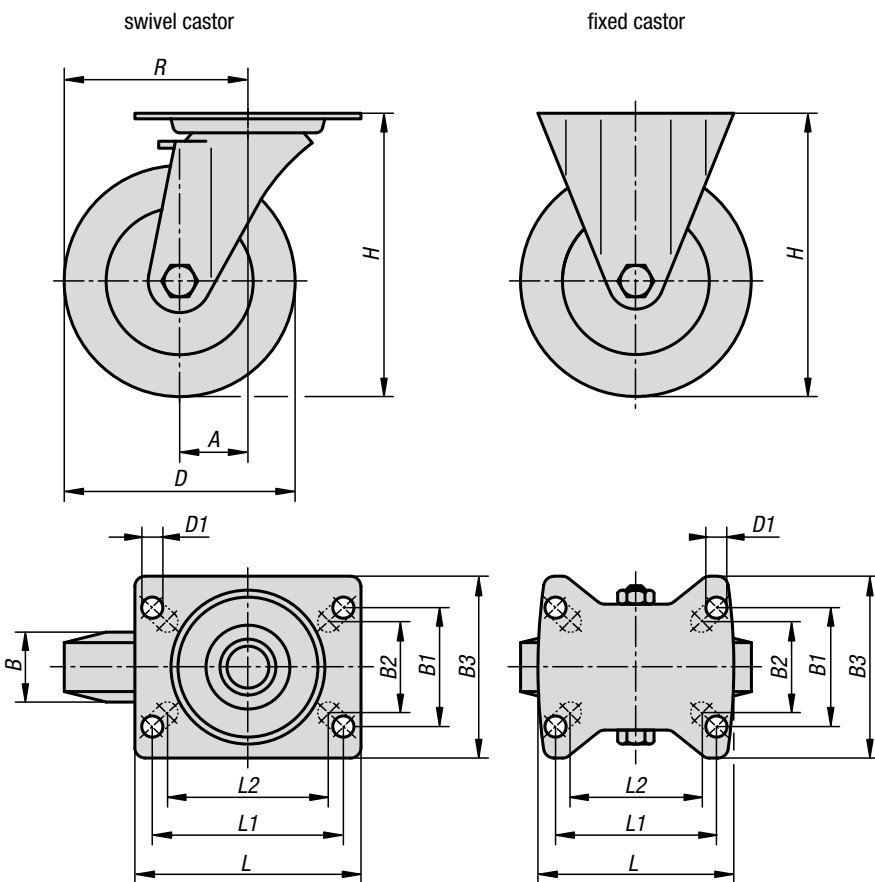
### KIPP Swivel and fixed castors steel plate, heavy-duty version

Order No. Fixed castor without locking system	Order No. Swivel castor without locking system	Order No. Swivel castor with stop-fix locking system	Wheel bearing	A	B	B1	B2	B3	D	D1
K1788.1010004011	K1788.101000401	K1788.1010004021	ball bearing	-/45/45	40	60	55	85	100	9
K1788.1010004013	K1788.101000403	K1788.1010004023	ball bearing	-/45/45	40	80	75	110	100	11
K1788.1012504011	K1788.101250401	K1788.1012504021	ball bearing	-/48/48	40	60	55	85	125	9
K1788.1012504013	K1788.101250403	K1788.1012504023	ball bearing	-/48/48	40	80	75	110	125	11
K1788.101500501	K1788.10150050	K1788.101500502	ball bearing	-/63/63	50	80	75	110	150	11
K1788.101600501	K1788.10160050	K1788.101600502	ball bearing	-/63/63	50	80	75	110	160	11
K1788.102000501	K1788.10200050	K1788.102000502	ball bearing	-/65/65	50	80	75	110	200	11

Order No. Fixed castor without locking system	Order No. Swivel castor without locking system	Order No. Swivel castor with stop-fix locking system	Wheel bearing	H	L	L1	L2	R	Permissible load kg
K1788.1010004011	K1788.101000401	K1788.1010004021	ball bearing	130	100	80	76	-/95/95	350
K1788.1010004013	K1788.101000403	K1788.1010004023	ball bearing	130	140	105	-	-/95/95	350
K1788.1012504011	K1788.101250401	K1788.1012504021	ball bearing	155	100	80	76	-/110,5/110,5	350
K1788.1012504013	K1788.101250403	K1788.1012504023	ball bearing	155	140	105	-	-/110,5/110,5	350
K1788.101500501	K1788.10150050	K1788.101500502	ball bearing	197	140	105	-	-/138/138	500
K1788.101600501	K1788.10160050	K1788.101600502	ball bearing	202	140	105	-	-/143/143	550
K1788.102000501	K1788.10200050	K1788.102000502	ball bearing	245	140	105	-	-/165/165	600

## Steel plate swivel and fixed castors

with soft rubber tyres



**Material:**

Housing sheet steel,  
Wheels high quality elastic solid rubber.  
Wheel rim high-quality unbreakable polyamide (wheel Ø 100 and 125 mm) or die-cast aluminium (wheel Ø from 150 mm).

**Version:**

Housing, press-formed.  
Swivel housing, double-row ball bearings in a swivel head.  
Ball bearing wheel axle bearings.

**Sample order:**

K1766.10160050

**Note:**

Wheel axle bolted.  
Swivel and fixed castors with mounting plate.

**Application:**

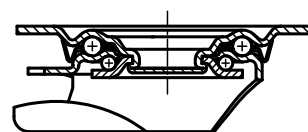
Maximum travel comfort, excellent cushioning of the transported goods. The new soft rubber series brings noticeable noise reduction in all applications.

**Temperature range:**

-25 °C to +80 °C.



swivel head bearing:



### KIPP Steel plate swivel and fixed castors with soft rubber tyres

Order No. Fixed castor without locking system	Order No. Swivel castor without locking system	Order No. Swivel castor with stop-fix locking system	Wheel bearing	A	B	B1	B2	B3	D	D1
K1766.101000401	K1766.10100040	K1766.101000402	ball bearing	-/36/36	40/40/40	60	55	85	100	9
K1766.101250401	K1766.10125040	K1766.101250402	ball bearing	-/40/40	40/40/40	60	55	85	125	9
K1766.101500401	K1766.10150040	K1766.101500402	ball bearing	-/54/54	40/40/50	80	75	110	150	11
K1766.101600501	K1766.10160050	K1766.101600502	ball bearing	-/54/54	50/50/50	80	75	110	160	11
K1766.102000501	K1766.10200050	K1766.102000502	ball bearing	-/54/54	50/50/50	80	75	110	200	11

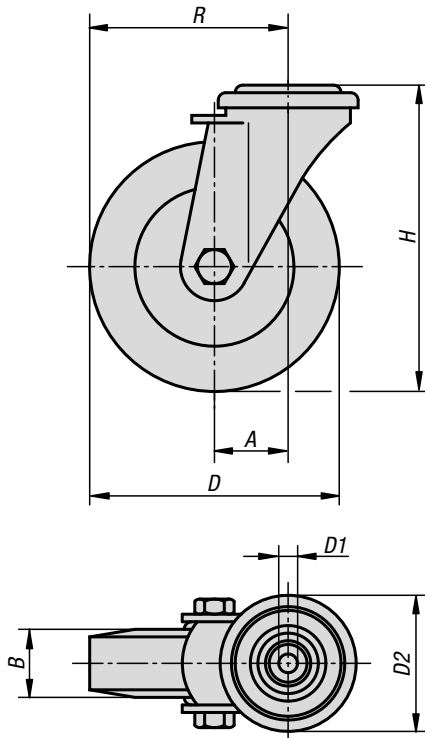
Order No. Fixed castor without locking system	Order No. Swivel castor without locking system	Order No. Swivel castor with stop-fix locking system	Wheel bearing	H	L	L1	L2	R	Permissible load kg
K1766.101000401	K1766.10100040	K1766.101000402	ball bearing	125	100	80	76	-/86/86	150
K1766.101250401	K1766.10125040	K1766.101250402	ball bearing	150	100	80	76	-/102,5/102,5	150
K1766.101500401	K1766.10150040	K1766.101500402	ball bearing	190	140	105	-	-/129/129	280
K1766.101600501	K1766.10160050	K1766.101600502	ball bearing	195	140	105	-	-/134/134	300
K1766.102000501	K1766.10200050	K1766.102000502	ball bearing	235	140	105	-	-/154/154	300

## Steel plate swivel castors

with soft rubber tyres and bolt hole



swivel castor



**Material:**

Housing, steel plate.  
Wheel tyre, high quality elastic solid rubber.  
Wheel rim, high quality unbreakable polyamide.

**Version:**

Housing, press-formed.  
Swivel housing, double-row ball bearings in a swivel head.  
Ball bearing wheel axle bearings.

**Sample order:**

K1789.10125040

**Note:**

Wheel axle bolted.

**Application:**

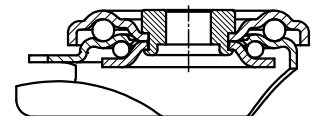
Maximum travel comfort, excellent cushioning of the transported goods. The new soft rubber series brings noticeable noise reduction in all applications.

**Temperature range:**

-25 °C to +80 °C.



swivel head bearing:



### KIPP Steel plate swivel castors with soft rubber tyres and bolt hole

Order No. Swivel castor without locking system	Order No. Swivel castor with stop-fix locking system	Wheel bearing	A	B	D	D1	D2	H	R	Permissible load kg
K1789.10100040	K1789.101000402	ball bearing	36	40	100	13	70	125	86	150
K1789.10125040	K1789.101250402	ball bearing	40	40	125	13	70	150	102,5	150

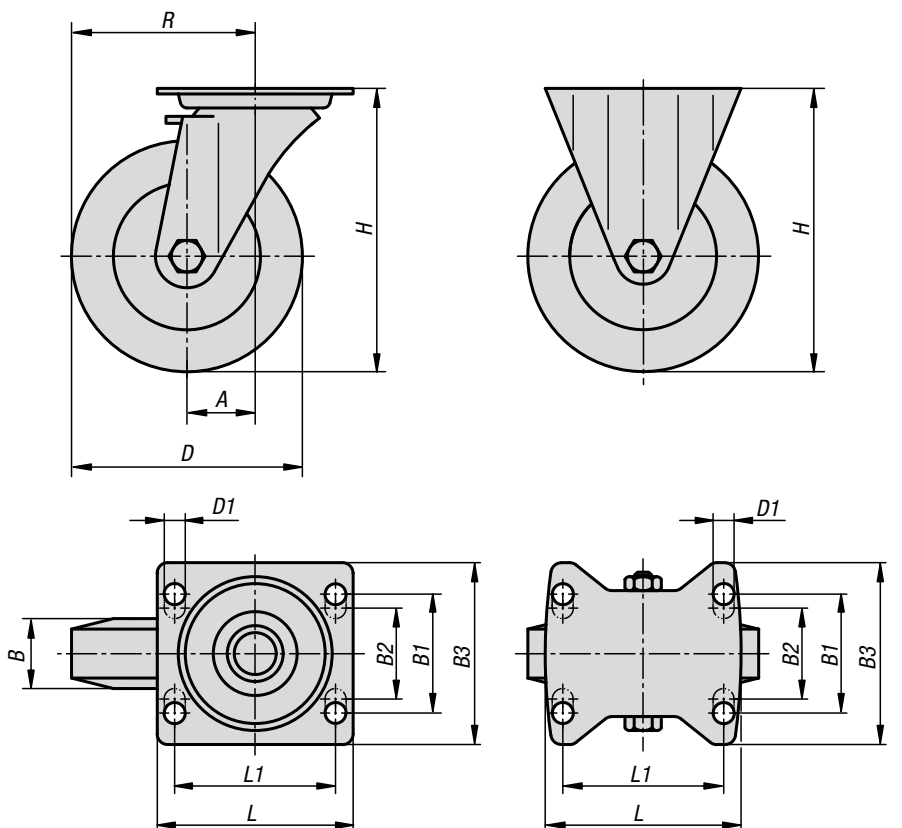
## Swivel and fixed castors

medium-duty version



swivel castor

fixed castor



**Material:**

Housing steel plate.  
Wheel body die-cast aluminium with Extrathane® tread.

**Version:**

Housing press formed.  
Double ball bearing with ball shield in the castor head.  
Precision ball bearings in the wheels.

**Sample order:**

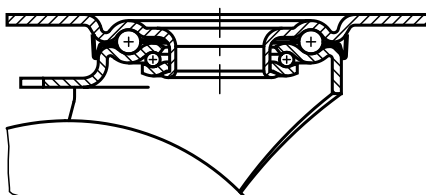
K1767.12540

**Note:**

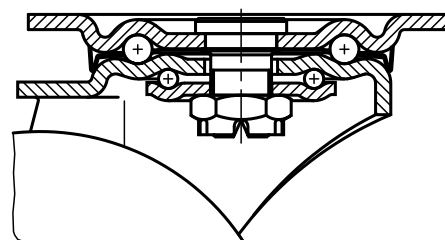
The wheels are non-corroding and have a low rolling resistance. Wheel axle bolted.



swivel head bearing  $R1 \leq 125$



swivel head bearing  $R1 \geq 160$



### KIPP Swivel and fixed castors medium-duty version

Order No. Fixed castor without locking system	Order No. Swivel castor without locking system	Order No. Swivel castor with stop-top locking system	Wheel bearing	A	B	B1	B2	B3	D	D1
K1767.100401	K1767.10040	K1767.100402	ball bearing	-/45/45	40	60	-	85	100	9
K1767.125401	K1767.12540	K1767.125402	ball bearing	-/48/48	40	60	-	85	125	9
K1767.160501	K1767.16050	K1767.160502	ball bearing	-/63/63	50	80	75	110	160	11
K1767.200501	K1767.20050	K1767.200502	ball bearing	-/70/70	50	80	75	110	200	11

Order No. Fixed castor without locking system	Order No. Swivel castor without locking system	Order No. Swivel castor with stop-top locking system	Wheel bearing	H	L	L1	R	Permissible load kg
K1767.100401	K1767.10040	K1767.100402	ball bearing	130	100	80	-/95/95	250
K1767.125401	K1767.12540	K1767.125402	ball bearing	155	100	80	-/110,5/110,5	250
K1767.160501	K1767.16050	K1767.160502	ball bearing	202	140	105	-/143/143	550
K1767.200501	K1767.20050	K1767.200502	ball bearing	245	140	105	-/170/170	800

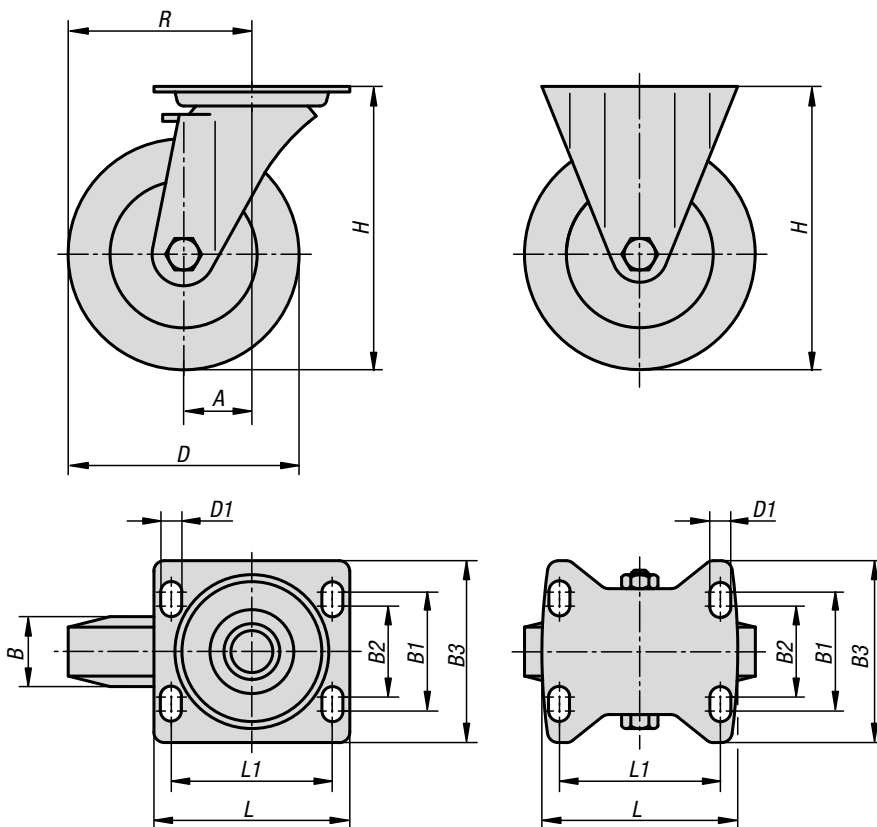
## Swivel and fixed castors

heavy-duty version



swivel castor

fixed castor



**Material:**

Housing thick steel plate.  
Wheels welded steel body and Extrathane® tread.

**Version:**

Housing press formed.  
Swivel castor housing with strong fork and base plate, very robust centre pin bolted and secured. The swivel head is additionally reinforced with specially formed and hardened bearing shells.

**Sample order:**

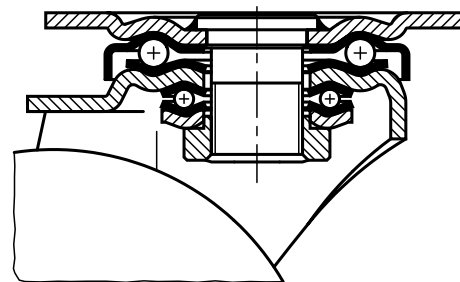
K1768.16050

**Note:**

These castors are particularly shock and impact proof. The treads resist abrasion and are elastic and low-noise. Wheel axle bolted.



swivel head bearing



### KIPP Swivel and fixed castors heavy-duty version

Order No. Fixed castor without locking system	Order No. Swivel castor without locking system	Order No. Swivel castor with stop-top locking system	Wheel bearing	A	B	B1	B2	B3	D	D1
K1768.125501	K1768.12550	K1768.125502	ball bearing	-/55/55	50	80	75	110	125	11
K1768.160501	K1768.16050	K1768.160502	ball bearing	-/65/65	50	80	75	110	160	11
K1768.200501	K1768.20050	K1768.200502	ball bearing	-/70/70	50	80	75	110	200	11

Order No. Fixed castor without locking system	Order No. Swivel castor without locking system	Order No. Swivel castor with stop-top locking system	Wheel bearing	H	L	L1	R	Permissible load kg
K1768.125501	K1768.12550	K1768.125502	ball bearing	170	140	105	-/117,5/117,5	500
K1768.160501	K1768.16050	K1768.160502	ball bearing	202	140	105	-/145/145	700
K1768.200501	K1768.20050	K1768.200502	ball bearing	245	140	105	-/170/170	900



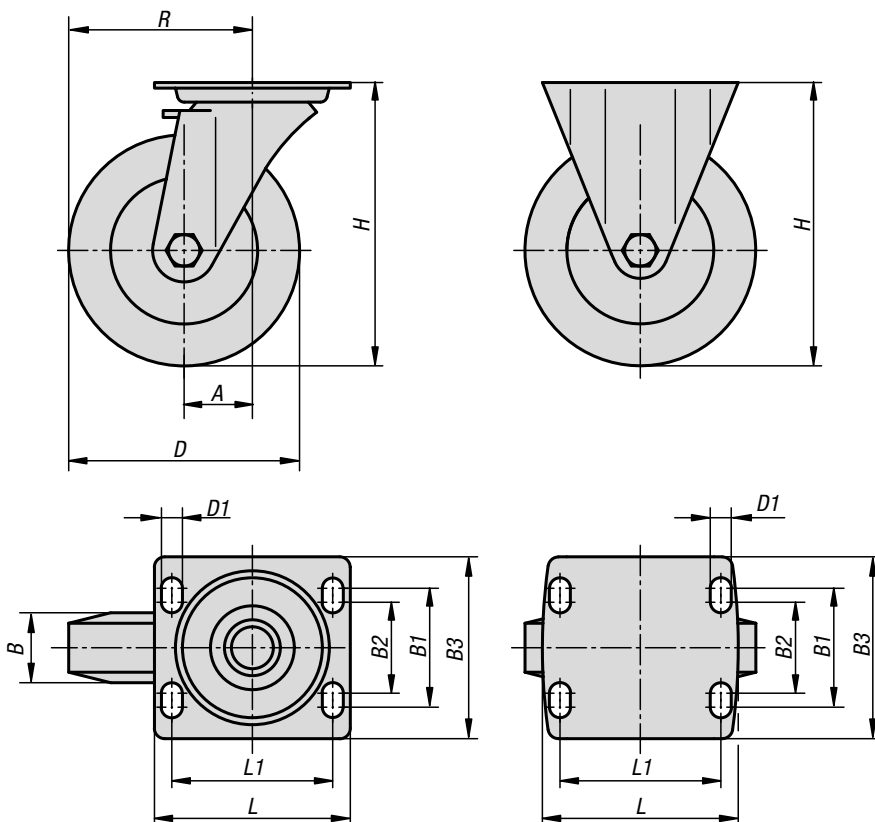
## Swivel and fixed castors

welded steel heavy-duty version



swivel castor

fixed castor



**Material:**

Housing solid welded steel construction. Wheels with welded steel body and Extrathane® tread.

**Version:**

The housing is a rugged welded steel construction. Swivel castor housing with DIN 711 axial groove ball bearing and DIN 720 tapered roller bearing in the swivel head. Dust and splash-proof, with grease nipple. Precision ball bearings in the wheels.

**Sample order:**

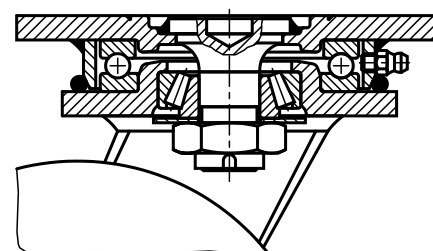
K1769.20050

**Note:**

Centre pin welded in, bolted and secured. Wheel axle bolted.



swivel head bearing



### KIPP Swivel and fixed castors welded steel heavy-duty version

Order No. Fixed castor without locking system	Order No. Swivel castor without locking system	Order No. Swivel castor with stop-top locking system	Wheel bearing	A	B	B1	B2	B3	D	D1
K1769.160501	K1769.16050	K1769.160502	ball bearing	-/55/55	50	80	75	110	160	11
K1769.200501	K1769.20050	K1769.200502	ball bearing	-/60/60	50	80	75	110	200	11
K1769.250601	K1769.25060	K1769.250602	ball bearing	-/75/75	60	105	-	140	250	14

Order No. Fixed castor without locking system	Order No. Swivel castor without locking system	Order No. Swivel castor with stop-top locking system	Wheel bearing	H	L	L1	R	Permissible load kg
K1769.160501	K1769.16050	K1769.160502	ball bearing	205	140	105	-/135/135	700
K1769.200501	K1769.20050	K1769.200502	ball bearing	245	140	105	-/160/160	1000
K1769.250601	K1769.25060	K1769.250602	ball bearing	305	175	140	-/200/200	1350

## Swivel and fixed castors

standard version



**Material:**

Housing steel plate.  
Wheels PA 6.

**Version:**

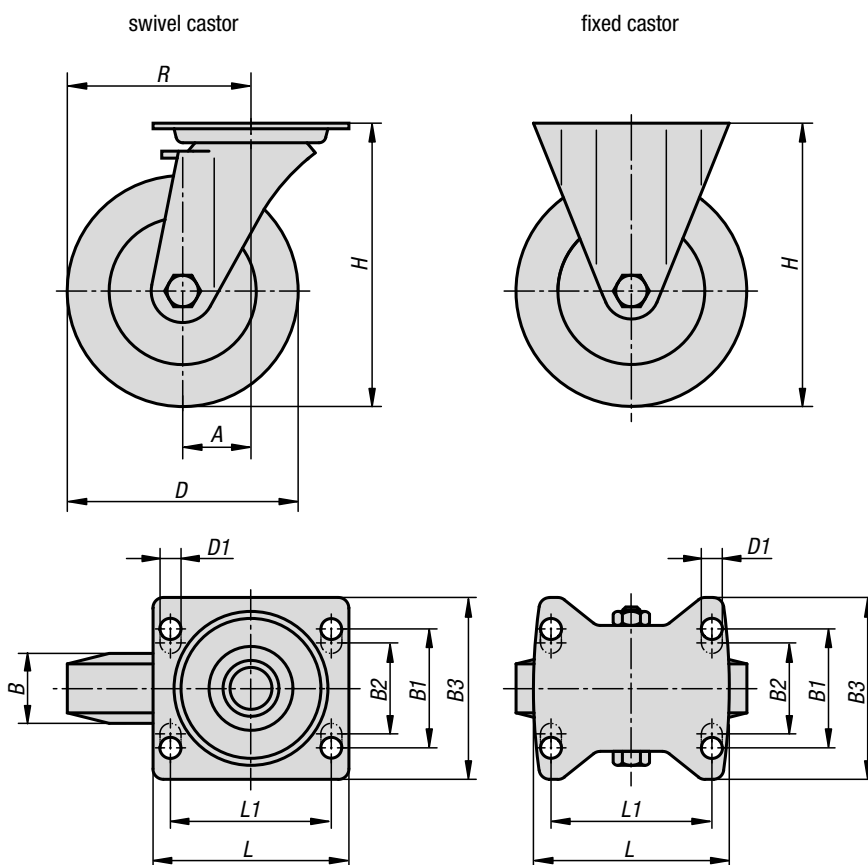
Housing press formed.  
Double ball bearing with ball shield in the castor head.  
Plain bearings in the wheels.

**Sample order:**

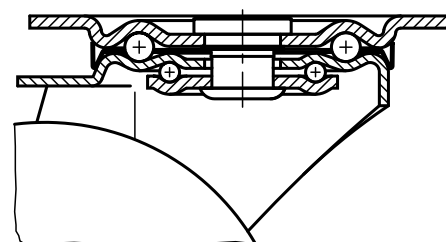
K1770.10037

**Note:**

The PA 6 wheels have a low rolling resistance, are non-corroding, resist abrasion and are particularly shock and impact proof.



swivel head bearing



### KIPP Swivel and fixed castors standard version

Order No. Fixed castor without locking system	Order No. Swivel castor without locking system	Order No. Swivel castor with stop-fix locking system	Wheel bearing	A	B	B1	B2	B3	D	D1
K1770.075321	K1770.07532	K1770.075322	plain bearing	-/35/35	32	60	-	85	75	9
K1770.100371	K1770.10037	K1770.100372	plain bearing	-/35/35	37	60	-	85	100	9
K1770.125401	K1770.12540	K1770.125402	plain bearing	-/40/40	40	60	-	85	125	9
K1770.150501	K1770.15050	K1770.150502	plain bearing	-/60/60	50	80	75	110	150	11

Order No. Fixed castor without locking system	Order No. Swivel castor without locking system	Order No. Swivel castor with stop-fix locking system	Wheel bearing	H	L	L1	R	Permissible load kg
K1770.075321	K1770.07532	K1770.075322	plain bearing	98	100	80/105	-/72,5/72,5	200
K1770.100371	K1770.10037	K1770.100372	plain bearing	125	100	80/105	-/85/85	200
K1770.125401	K1770.12540	K1770.125402	plain bearing	150	100	80/105	-/102,5/102,5	200
K1770.150501	K1770.15050	K1770.150502	plain bearing	190	140	80/105	-/135/135	400

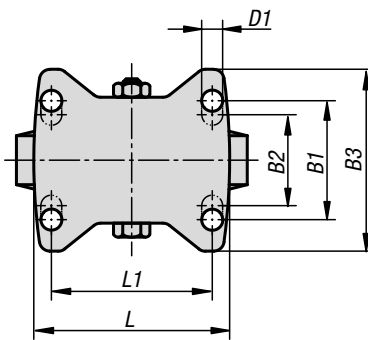
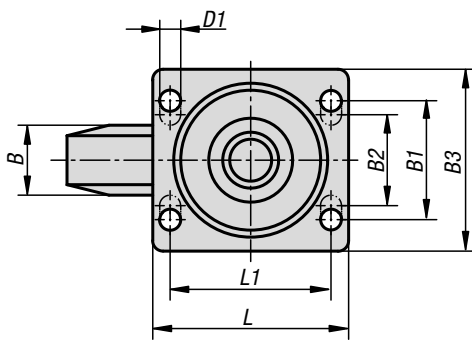
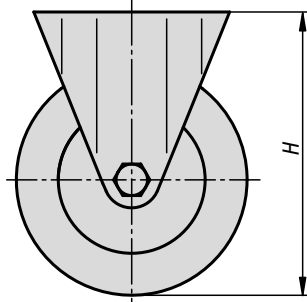
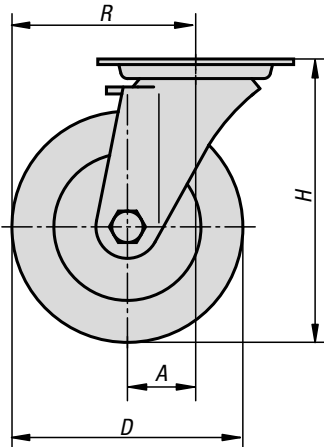
## Swivel and fixed castors

heavy-duty version



swivel castor

fixed castor



**Material:**

Housing thick steel plate.  
Wheels PA 6.

**Version:**

Housing press formed.  
Swivel castor housing with strong fork and base plate, very robust centre pin bolted and secured. The swivel head is additionally reinforced with specially formed and hardened bearing shells.  
Plain bearings in the wheels.

**Sample order:**

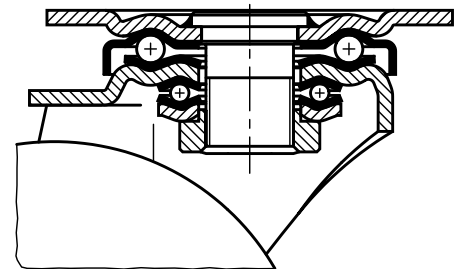
K1771.12540

**Note:**

Wheel axle bolted. The wheels are particularly shock and impact proof and have high abrasion resistance.



swivel head bearing



### KIPP Swivel and fixed castors heavy-duty version

Order No. Fixed castor without locking system	Order No. Swivel castor without locking system	Order No. Swivel castor with stop-top locking system	Wheel bearing	A	B	B1	B2	B3	D	D1
K1771.100371	K1771.10037	K1771.100372	plain bearing	-/45/45	37	60	-	85	100	9
K1771.125401	K1771.12540	K1771.125402	plain bearing	-/45/45	40	60	-	85	125	9
K1771.150501	K1771.15050	K1771.150502	plain bearing	-/65/65	50	80	75	110	150	11
K1771.200501	K1771.20050	K1771.200502	plain bearing	-/70/70	50	80	75	110	200	11

Order No. Fixed castor without locking system	Order No. Swivel castor without locking system	Order No. Swivel castor with stop-top locking system	Wheel bearing	H	L	L1	R	Permissible load kg
K1771.100371	K1771.10037	K1771.100372	plain bearing	140	100	80	-/95/95	280
K1771.125401	K1771.12540	K1771.125402	plain bearing	165	100	80	-/107,5/107,5	300
K1771.150501	K1771.15050	K1771.150502	plain bearing	197	140	105	-/140/140	400
K1771.200501	K1771.20050	K1771.200502	plain bearing	245	140	105	-/170/170	600

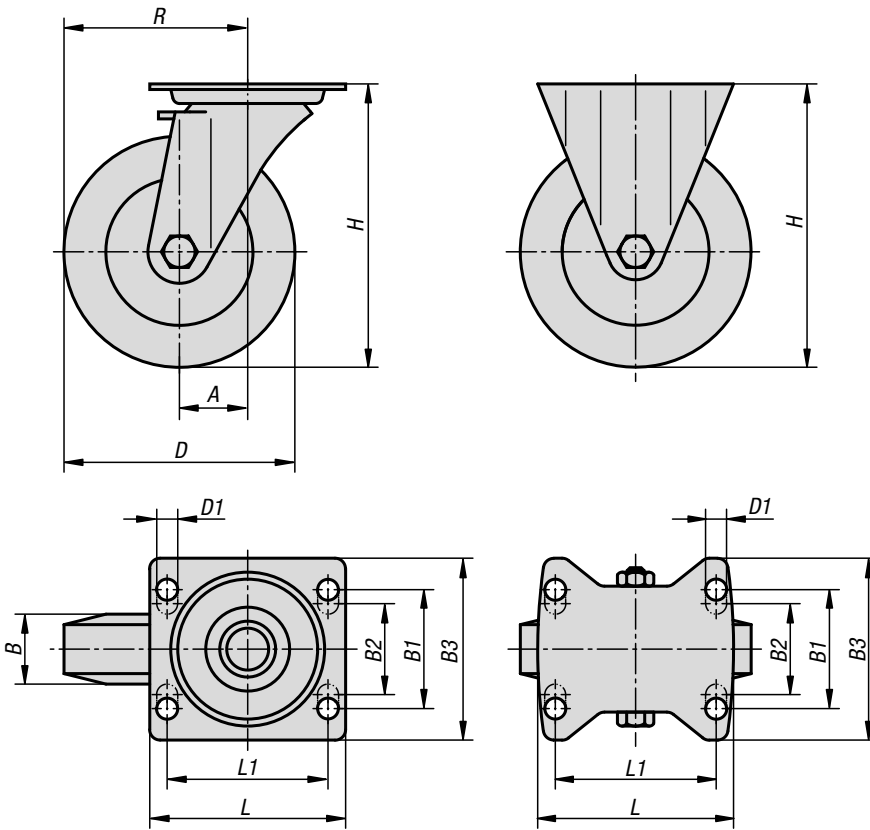
# Swivel and fixed castors

heavy-duty version



swivel castor

fixed castor



**Material:**

Housing thick steel plate.  
Wheels high-quality PA 6.

**Version:**

Housing press formed.  
Swivel castor housing with strong fork and base plate, very robust centre pin bolted and secured. The swivel head is additionally reinforced with specially formed and hardened bearing shells.

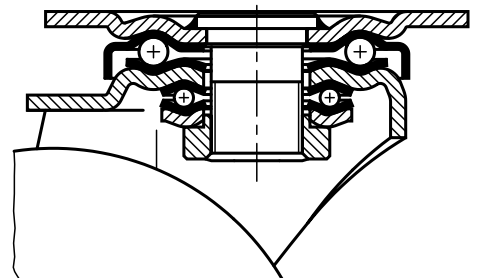
**Sample order:**

K1772.10037

**Note:**

The hardened bearing shells make these castors particularly shock and impact proof. The wheels have high abrasion resistance. Wheel axle bolted.

swivel head bearing



## Swivel and fixed castors

heavy-duty version



### KIPP Swivel and fixed castors heavy-duty version

Order No. Fixed castor without locking system	Order No. Swivel castor without locking system	Order No. Swivel castor with stop-top locking system	Wheel bearing	A	B	B1	B2	B3	D	D1
K1772.075321	K1772.07532	K1772.075322	plain bearing	-/45/45	32	60	-	85	75	9
K1772.075324	K1772.075323	K1772.075325	ball bearing	-/45/45	32	60	-	85	75	9
K1772.100371	K1772.10037	K1772.100372	plain bearing	-/45/45	37	60	-	85	100	9
K1772.100374	K1772.100373	K1772.100375	ball bearing	-/45/45	37	60	-	85	100	9
K1772.125401	K1772.12540	K1772.125402	plain bearing	-/45/45	40	60	-	85	125	9
K1772.125404	K1772.125403	K1772.125405	ball bearing	-/45/45	40	60	-	85	125	9
K1772.150501	K1772.15050	K1772.150502	plain bearing	-/65/65	50	80	75	110	150	11
K1772.150504	K1772.150503	K1772.150505	ball bearing	-/65/65	50	80	75	110	150	11

Order No. Fixed castor without locking system	Order No. Swivel castor without locking system	Order No. Swivel castor with stop-top locking system	Wheel bearing	H	L	L1	R	Permissible load kg
K1772.075321	K1772.07532	K1772.075322	plain bearing	118	100	80	-/82,5/82,5	300
K1772.075324	K1772.075323	K1772.075325	ball bearing	118	100	80	-/82,5/82,5	300
K1772.100371	K1772.10037	K1772.100372	plain bearing	140	100	80	-/95/95	500
K1772.100374	K1772.100373	K1772.100375	ball bearing	140	100	80	-/95/95	500
K1772.125401	K1772.12540	K1772.125402	plain bearing	165	100	80	-/107,5/107,5	700
K1772.125404	K1772.125403	K1772.125405	ball bearing	165	100	80	-/107,5/107,5	700
K1772.150501	K1772.15050	K1772.150502	plain bearing	197	140	105	-/140/140	800
K1772.150504	K1772.150503	K1772.150505	ball bearing	197	140	105	-/140/140	800

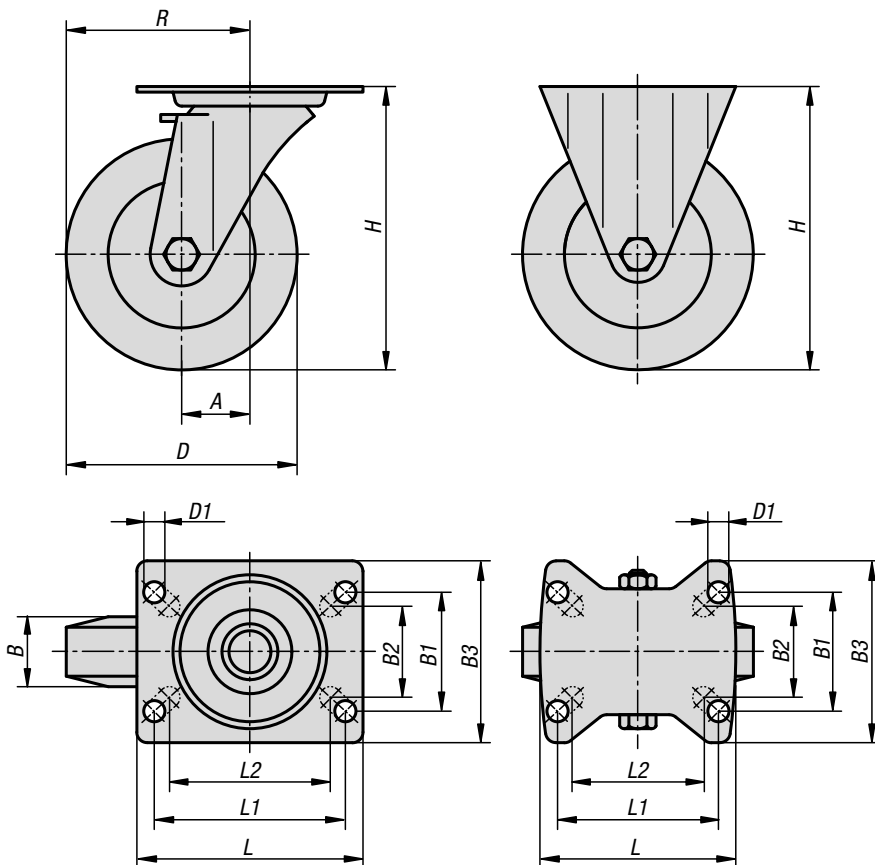
## Swivel and fixed castors

stainless steel, standard version



swivel castor

fixed castor



**Material:**

Housing stainless steel 1.4301.  
Wheels high-quality unbreakable polyamide.

**Version:**

Housing press formed.  
Double ball bearing in the castor head.  
Plain bearing in wheels.

**Sample order:**

K1773.211000371

**Note:**

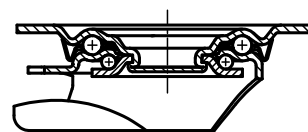
Wheel axle bolted.  
Swivel and fixed castors with mounting plate.  
Vibratory ground surface.  
Stainless.

**Temperature range:**

-25 °C to +80 °C.



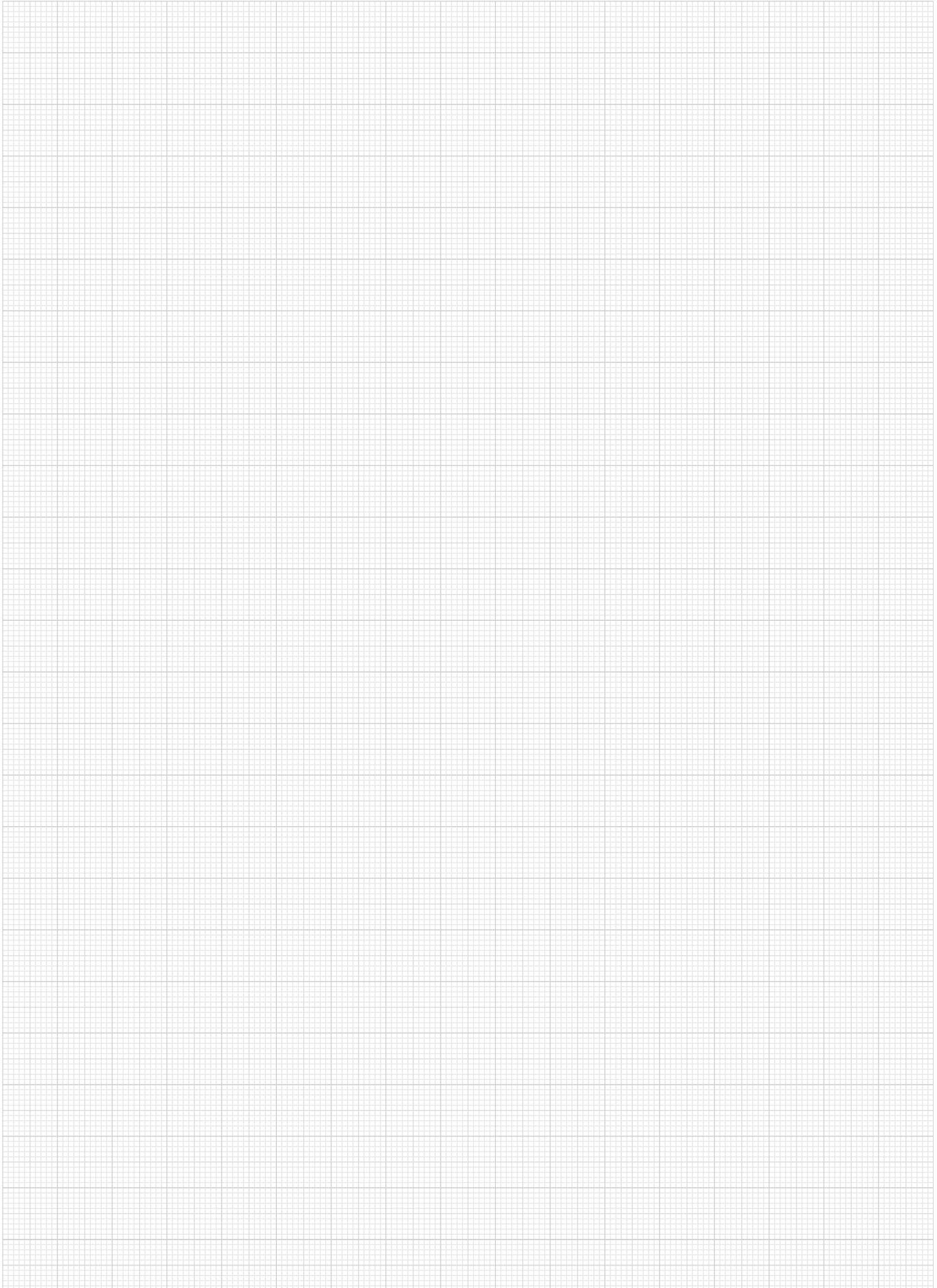
swivel head bearing:



### KIPP Swivel and fixed castors stainless steel, standard version

Order No. Fixed castor without locking system	Order No. Swivel castor without locking system	Order No. Swivel castor with stop-fix locking system	Wheel bearing	A	B	B1	B2	B3	D	D1
K1773.210750321	K1773.21075032	K1773.210750322	plain bearing	-/38/38	32	60	55	85	75	9
K1773.211000371	K1773.21100037	K1773.211000372	plain bearing	-/36/36	37	60	55	85	100	9
K1773.211250401	K1773.21125040	K1773.211250402	plain bearing	-/40/40	40	60	55	85	125	9
K1773.211500501	K1773.21150050	K1773.211500502	plain bearing	-/54/54	50	80	75	110	150	11

Order No. Fixed castor without locking system	Order No. Swivel castor without locking system	Order No. Swivel castor with stop-fix locking system	Wheel bearing	H	L	L1	L2	R	Permissible load kg
K1773.210750321	K1773.21075032	K1773.210750322	plain bearing	100	100	80	76	-/75,5/75,5	150
K1773.211000371	K1773.21100037	K1773.211000372	plain bearing	125	100	80	76	-/86/86	150
K1773.211250401	K1773.21125040	K1773.211250402	plain bearing	150	100	80	76	-/102,5/102,5	150
K1773.211500501	K1773.21150050	K1773.211500502	plain bearing	190	140	105	-	-/129/129	300



## Swivel castors

compact version



**Material:**

Housing steel plate, trivalent blue passivated.  
 Roller light brown polyurethane, Shore 92 A  
 or white polyamide, Shore 80 D.

**Version:**

Housing press formed.  
 Swivel castor housing with 2x ball bearing in the swivel head and ball shield.  
 Roller with two pressed-in ball bearings.

**Sample order:**

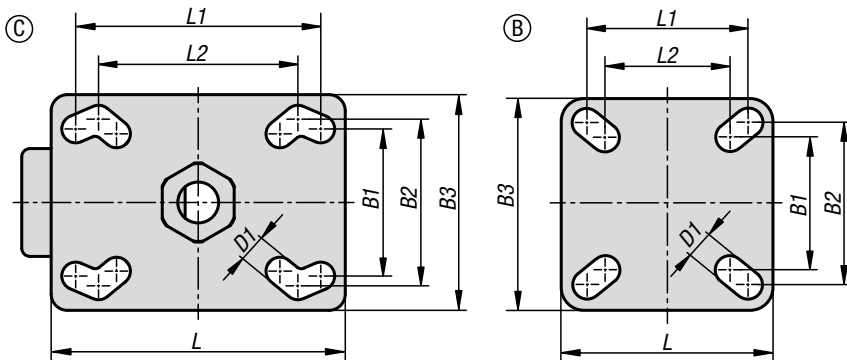
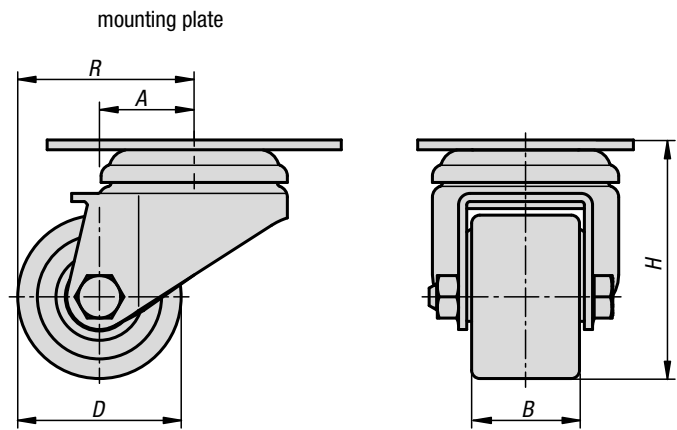
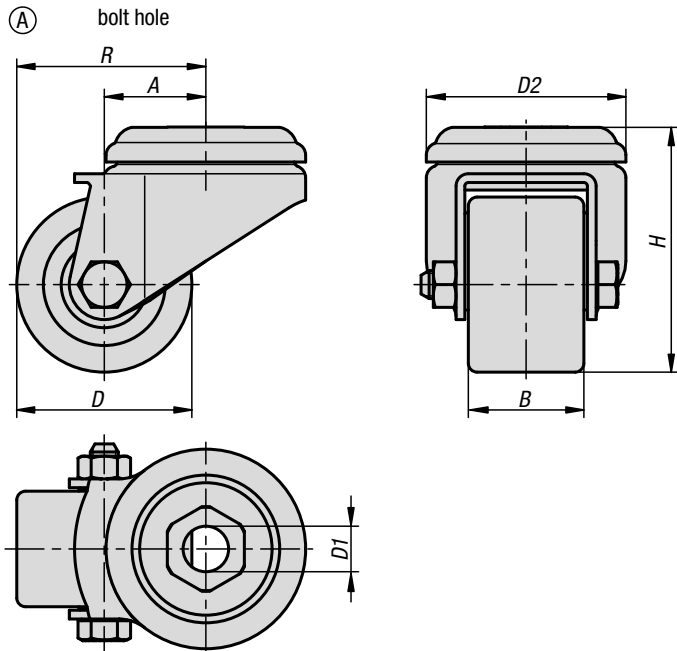
K1774.0352701

**Note:**

Wheel axle bolted.

Polyurethane roller: low-noise, low rolling resistance, elastic, floor-protecting, very wear resistant, non-staining.

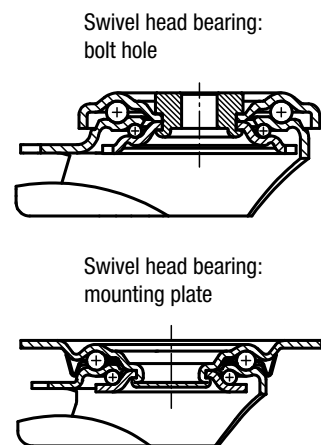
Polyamide roller: very low roll and pivot resistance, smooth running on smooth floors, very wear resistant.





## Swivel castors

compact version



### KIPP Swivel castors compact version

Order No.	Form	Item	Version 1	Wheel bearing	Material roller	A	B	B1	B2	B3	D	D1
K1774.0352701	A	Swivel castor	without locking system	ball bearing	polyurethane	15	27	-	-	-	35	11
K1774.0352802	A	Swivel castor	without locking system	ball bearing	polyamide	15	28	-	-	-	35	11
K1774.0503301	A	Swivel castor	without locking system	ball bearing	polyurethane	29	33	-	-	-	50	13
K1774.0503202	A	Swivel castor	without locking system	ball bearing	polyamide	29	32	-	-	-	50	13
K1774.0352711	B	Swivel castor	without locking system	ball bearing	polyurethane	15	27	38	48	60	35	6,2
K1774.0352812	B	Swivel castor	without locking system	ball bearing	polyamide	15	28	38	48	60	35	6,2
K1774.0503311	C	Swivel castor	without locking system	ball bearing	polyurethane	29	33	45	51	66	50	8,5
K1774.0503212	C	Swivel castor	without locking system	ball bearing	polyamide	29	32	45	51	66	50	8,5

Order No.	Form	Item	Version 1	Wheel bearing	Material roller	D2	H	L	L1	L2	R	Permissible load kg
K1774.0352701	A	Swivel castor	without locking system	ball bearing	polyurethane	43	50	-	-	-	32,5	100
K1774.0352802	A	Swivel castor	without locking system	ball bearing	polyamide	43	50	-	-	-	32,5	100
K1774.0503301	A	Swivel castor	without locking system	ball bearing	polyurethane	57	70	-	-	-	54	150
K1774.0503202	A	Swivel castor	without locking system	ball bearing	polyamide	57	70	-	-	-	54	150
K1774.0352711	B	Swivel castor	without locking system	ball bearing	polyurethane	-	52	60	48	38	32,5	100
K1774.0352812	B	Swivel castor	without locking system	ball bearing	polyamide	-	52	60	48	38	32,5	100
K1774.0503311	C	Swivel castor	without locking system	ball bearing	polyurethane	-	73	90	75	61	54	150
K1774.0503212	C	Swivel castor	without locking system	ball bearing	polyamide	-	73	90	75	61	54	150

## Swivel and fixed castors

steel plate, for sterile areas



**Material:**

Housing, steel plate.  
Wheel rim, high-quality thermoplastic polyurethane.  
Wheel tread, high-quality polyamide.

**Version:**

Housing press formed.  
Double ball bearing in the castor head.  
Plain bearing in wheels.

**Sample order:**

K1775.111250401

**Note:**

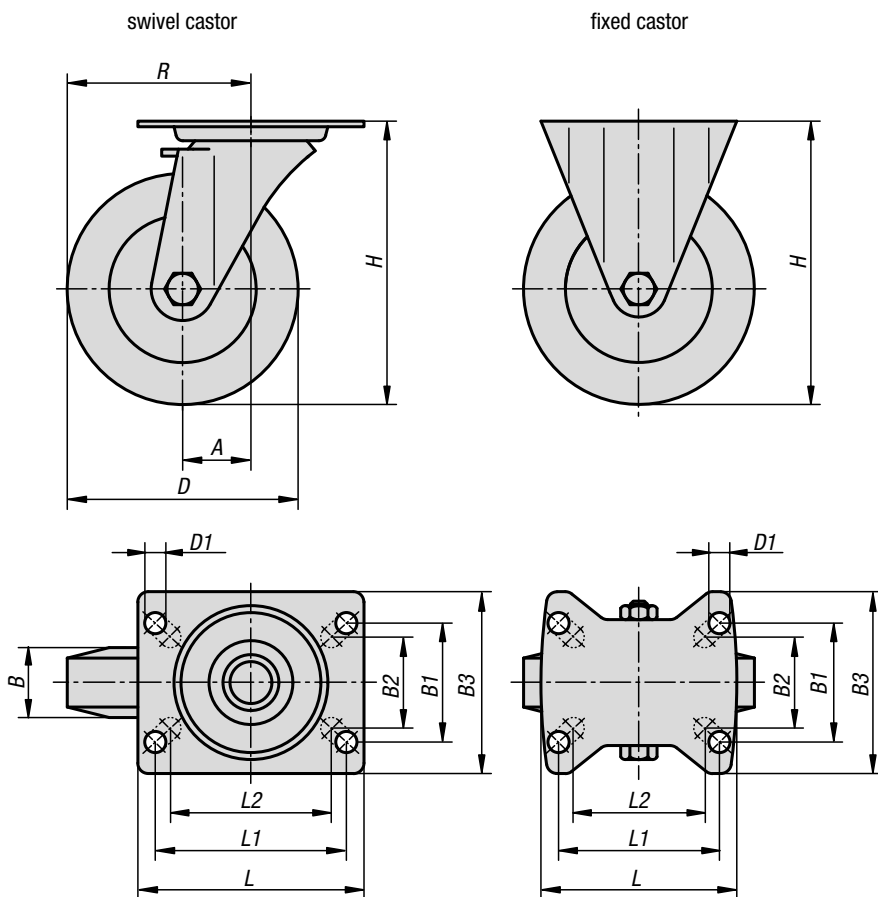
Wheel axle bolted.  
Swivel and fixed castors with mounting plate.

**Application:**

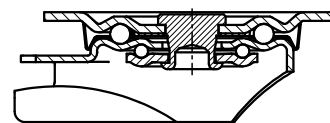
Loads can be transported with low noise and maximum ease in area's with high hygiene requirements.

**Temperature range:**

-20°C to +70°C.



swivel head bearing:



### KIPP Swivel and fixed castors steel plate, for sterile areas

Order No. Fixed castor without locking system	Order No. Swivel castor without locking system	Order No. Swivel castor with stop-fix locking system	Wheel bearing	A	B	B1	B2	B3	D	D1
K1775.111000351	K1775.11100035	K1775.111000352	plain bearing	-/36/36	35	60	55	85	100	9
K1775.111250401	K1775.11125040	K1775.111250402	plain bearing	-/40/40	40	60	55	85	125	9
K1775.111600451	K1775.11160045	K1775.111600452	plain bearing	-/60/60	45	80	75	110	160	11
K1775.112000501	K1775.11200050	K1775.112000502	plain bearing	-/65/65	50	80	75	110	200	11

Order No. Fixed castor without locking system	Order No. Swivel castor without locking system	Order No. Swivel castor with stop-fix locking system	Wheel bearing	H	L	L1	L2	R	Permissible load kg
K1775.111000351	K1775.11100035	K1775.111000352	plain bearing	125	100	80	76	-/86/86	200
K1775.111250401	K1775.11125040	K1775.111250402	plain bearing	150	100	80	76	-/102,5/102,5	250
K1775.111600451	K1775.11160045	K1775.111600452	plain bearing	195	140	105	-	-/140/140	400
K1775.112000501	K1775.11200050	K1775.112000502	plain bearing	235	140	105	-	-/165/165	400

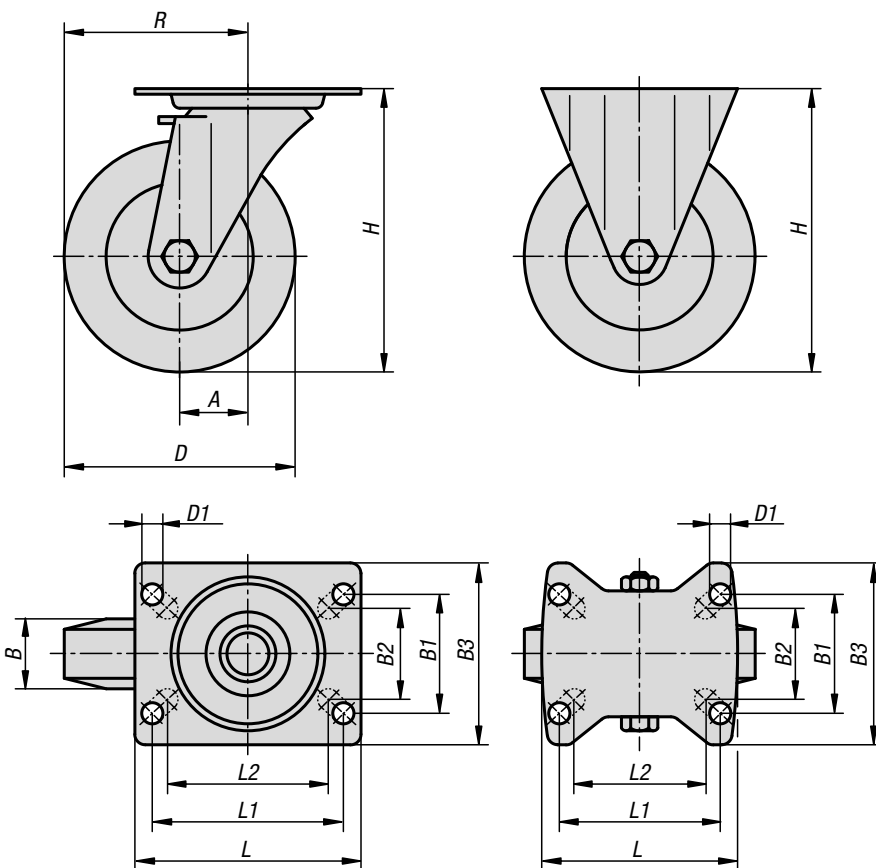
## Swivel and fixed castors

stainless steel, for sterile areas



swivel castor

fixed castor



**Material:**

Housing stainless steel 1.4301.  
Wheel rim, high-quality thermoplastic polyurethane.  
Wheel tread, high-quality polyamide.

**Version:**

Housing press formed.  
Double ball bearing in the castor head.  
Plain bearing in wheels.

**Sample order:**

K1790.111250401

**Note:**

Wheel axle bolted.  
Swivel and fixed castors with mounting plate.

**Application:**

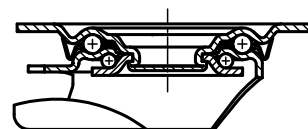
Loads can be transported with low noise and maximum ease in area's with high hygiene requirements.

**Temperature range:**

-20°C to +70°C.



swivel head bearing:



### KIPP Swivel and fixed castors stainless steel, for sterile areas

Order No. Fixed castor without locking system	Order No. Swivel castor without locking system	Order No. Swivel castor with stop-fix locking system	Wheel bearing	A	B	B1	B2	B3	D	D1
K1790.211000351	K1790.21100035	K1790.211000352	plain bearing	-/30/30	35	60	55	85	100	9
K1790.211250401	K1790.21125040	K1790.211250402	plain bearing	-/40/40	40	60	55	85	125	9
K1790.211600451	K1790.21160045	K1790.211600452	plain bearing	-/60/60	45	80	75	110	160	11
K1790.212000501	K1790.21200050	K1790.212000502	plain bearing	-/65/65	50	80	75	110	200	11

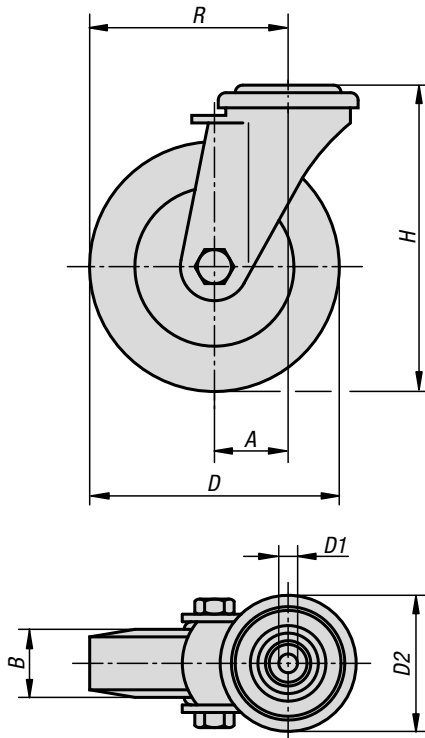
Order No. Fixed castor without locking system	Order No. Swivel castor without locking system	Order No. Swivel castor with stop-fix locking system	Wheel bearing	H	L	L1	L2	R	Permissible load kg
K1790.211000351	K1790.21100035	K1790.211000352	plain bearing	125	100	80	76	-/80/80	200
K1790.211250401	K1790.21125040	K1790.211250402	plain bearing	150	100	80	76	-/102,5/102,5	250
K1790.211600451	K1790.21160045	K1790.211600452	plain bearing	195	140	105	-	-/140/140	400
K1790.212000501	K1790.21200050	K1790.212000502	plain bearing	235	140	105	-	-/165/165	400

## Swivel castors with bolt hole

stainless steel, for sterile areas



swivel castor



**Material:**

Housing stainless steel 1.4301.  
Wheel rim, high-quality thermoplastic polyurethane.  
Wheel tread, high-quality polyamide.

**Version:**

Housing press formed.  
Double ball bearing in the castor head.  
Plain bearing in wheels.

**Sample order:**

K1791.21125040

**Note:**

Wheel axle bolted.

**Application:**

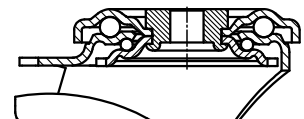
Loads can be transported with low noise and maximum ease in area's with high hygiene requirements.

**Temperature range:**

-20°C to +70°C.



swivel head bearing:

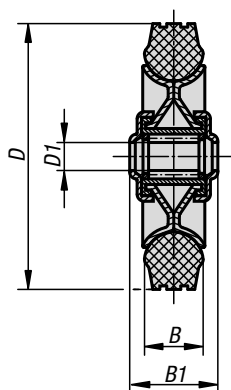
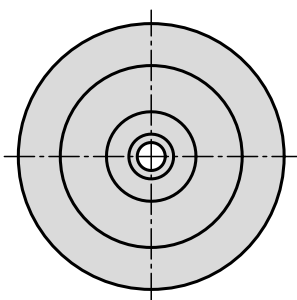


**KIPP Swivel castors with bolt hole stainless steel, for sterile areas**

Order No. Swivel castor without locking system	Order No. Swivel castor with stop-fix locking system	Wheel bearing	A	B	D	D1	D2	H	R	Permissible load kg
K1791.21100035	K1791.211000352	plain bearing	36/36	35	100	13	70	125	86/86	150
K1791.21125040	K1791.211250402	plain bearing	40/40	40	125	13	70	150	102,5/102,5	150
K1791.21160045	K1791.211600452	plain bearing	54/54	45	160	13	88	195	134/134	300
K1791.21200050	K1791.212000502	plain bearing	54/54	50	200	13	88	235	154/154	300

## Wheels

rubber tyres on steel plate rims



**Material:**

Rim steel plate.  
Tyre solid rubber.

**Version:**

Rims trivalent passivated.  
Tyres black.

**Sample order:**

K1776.14038

**Note:**

This special rim design is exceptionally ridged even with extreme shocks and impacts. Low rolling resistance.

Temperature resistant from -30 °C to +80 °C.  
Suitable for K1761.

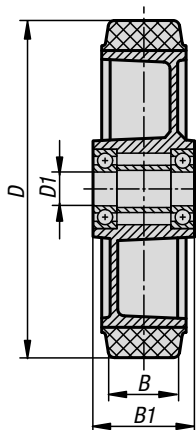
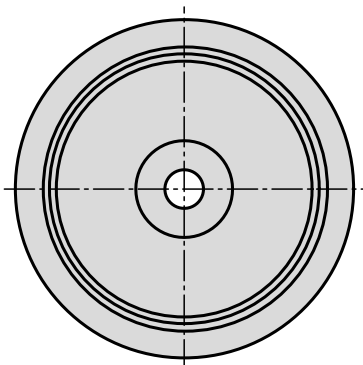


### KIPP Wheels rubber tyres on steel plate rims

Order No.	Wheel bearing	D	D1	B	B1	Permissible load kg
K1776.08025	roller bearing	80	12	25	35	50
K1776.10030	roller bearing	100	15	30	45	70
K1776.12538	roller bearing	125	15	37,5	45	100
K1776.14038	roller bearing	140	15	37,5	45	115
K1776.16040	roller bearing	160	20	40	60	135
K1776.18050	roller bearing	180	20	50	60	170
K1776.20050	roller bearing	200	20	50	60	205

# Wheels

rubber tyres on die-cast aluminium rims



**Material:**

Wheel rims die-cast aluminium.  
Tyre elastic solid rubber.

**Sample order:**

K1777.200501

**Note:**

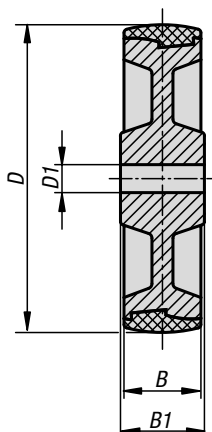
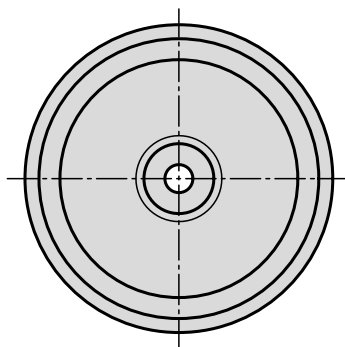
The tyre is vulcanised onto the rim. Wheels with elastic solid rubber tyres have a high wear resistance, low rolling resistance and excellent drive comfort. Application temperature from -30 °C to +80 °C. These wheels are used as the front wheels on fork-lift trucks. Other sizes on request.

**KIPP Wheels rubber tyres on die-cast aluminium rims**

Order No.	Wheel bearing	D	D1	B	B1	Permissible load kg
K1777.200501	ball bearing	200	20	35	60	450

## Wheels

polyamide with injection-moulded tread



**Material:**

Wheel body PA.

Tread thermoplastic polyurethane elastomer.

**Sample order:**

K1778.12535

**Note:**

Wheels with polyurethane tread have a high load capacity, resist abrasion, are gentle to floors, absorb shocks and vibration and are resistant to many chemicals and acids.

Temperature resistant from -30 °C to +80 °C.

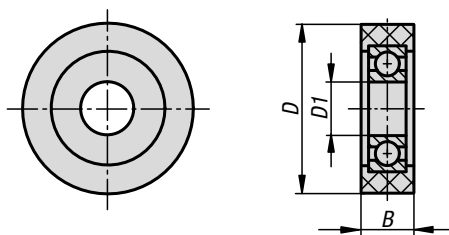
Suitable as replacement rollers for the castors K1764.



### KIPP Wheels polyamide with injection-moulded tread

Order No.	Wheel bearing	D	D1	B	B1	Permissible load kg
K1778.10035	plain bearing	100	15	35	45	200
K1778.12535	plain bearing	125	15	35	45	250
K1778.15040	plain bearing	150	20	40	60	400
K1778.20050	plain bearing	200	20	50	60	700

## Guide rollers



**Material:**

Tread light brown Extrathane® Shore 92A or white polyamide 6 Shore 80D.

**Sample order:**

K1779.05015

**Note:**

The tread is firmly bonded onto a ball bearing.

Extrathane tread: quiet running, low roll resistance, elastic, gentle on floors, very wear resistant, high cut and tear resistance, non-marking, non-staining.

Polyamide 6 tread: unbreakable, very low roll resistance, light running on smooth floors, very wear resistant.

Uses: conveyor belts, doors, etc.

Other sizes on request.

### KIPP Guide rollers

Order No.	Version 1	Material tread	Wheel bearing	D	D1	B	Ball bearing	Permissible load kg
K1779.03008	without locking system	extrathane	ball bearing	30	6	8	626 2RS	20
K1779.03514	without locking system	extrathane	ball bearing	35	12	14	6001 2RS	40
K1779.04020	without locking system	extrathane	ball bearing	40	10	20	6000 2RS	40
K1779.05015	without locking system	extrathane	ball bearing	50	10	15	6200 2RS	60
K1779.06020	without locking system	extrathane	ball bearing	60	17	20	6203 2RS	90
K1779.07020	without locking system	extrathane	ball bearing	70	25	20	6205 2RS	125
K1779.030081	without locking system	polyamide 6	ball bearing	30	6	8	626 2RS	35
K1779.035111	without locking system	polyamide 6	ball bearing	35	8	11	608 2RS	55
K1779.040201	without locking system	polyamide 6	ball bearing	40	10	20	6200 2RS	100
K1779.050151	without locking system	polyamide 6	ball bearing	50	10	15	6200 2RS	100
K1779.060201	without locking system	polyamide 6	ball bearing	60	17	20	6203 2RS	165
K1779.070201	without locking system	polyamide 6	ball bearing	70	25	20	6205 2RS	185



## Wheels

aluminium rims with injection-moulded tread



**Material:**

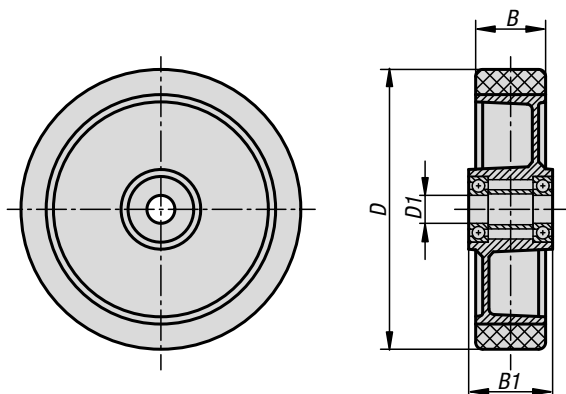
Wheel rim die-cast aluminium.  
Tread Extrathane®.

**Sample order:**

K1780.12540

**Note:**

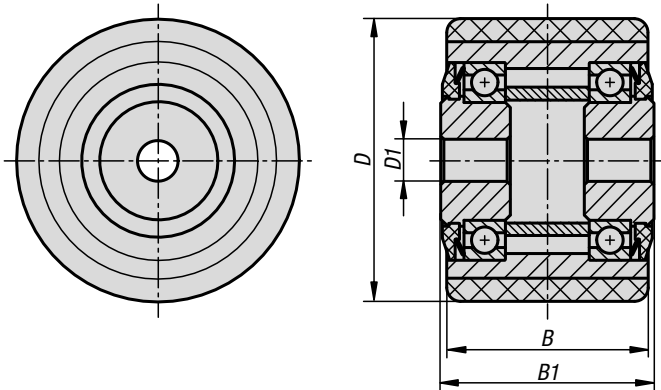
These wheels are elastic, abrasion-resistant, gentle to floors, low-noise and have low roll resistance. Suitable as replacement rollers for castors K1767.



### KIPP Wheels aluminium rims with injection-moulded tread

Order No.	Wheel bearing	D	D1	B	B1	Permissible load kg
K1780.10040	ball bearing	100	15	40	45	250
K1780.12540	ball bearing	125	15	40	45	350
K1780.16050	ball bearing	160	20	50	60	550
K1780.18050	ball bearing	180	20	50	60	600
K1780.20050	ball bearing	200	20	50	60	800

## Rollers heavy-load



**Material:**

Wheel body steel tube with ball bearing.  
Tread Extrathane® 92 Shore A.

**Sample order:**

K1781.0857520

**Note:**

The ball bearing is splashproof. The tread is firmly bonded. These rollers resist abrasion, are non-staining, gentle to floors, low-noise, elastic, have low roll resistance and have a particularly high elastic restoration after long standing high cut and tear resistance.

Uses: pallet trucks, forklift, etc.

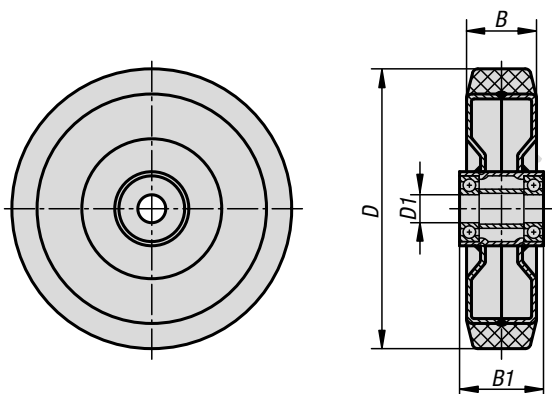
Other sizes on request.

### KIPP Rollers heavy-load

Order No.	Wheel bearing	D	D1	B	B1	Permissible load kg
K1781.0856020	ball bearing	85	20	60	65	450
K1781.0856025	ball bearing	85	25	60	65	450
K1781.0857520	ball bearing	85	20	75	80	570
K1781.0857525	ball bearing	85	25	75	80	570
K1781.0859525	ball bearing	85	25	95	100	720

## Wheels heavy-load

wheel body welded



**Material:**

Wheel body welded steel construction.  
Tread Extrathane®.

**Sample order:**

K1782.16050

**Note:**

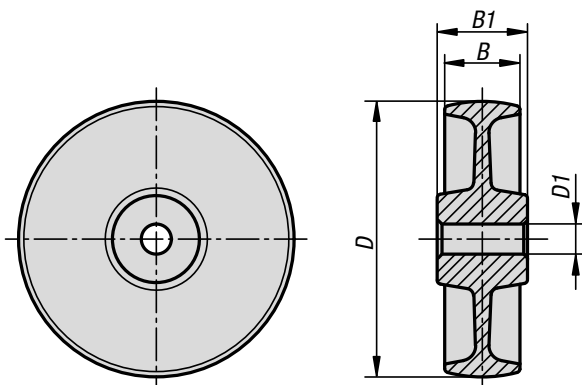
Extrathane treads are elastic, resist abrasion, gentle to floors, low-noise and have particularly high elastic restoration after long standing.  
Application temperature from -40 °C to +80 °C.  
Suitable as replacement rollers for the castors K1768 and K1769.



### KIPP Wheels heavy-load wheel body welded

Order No.	Wheel bearing	D	D1	B	B1	Permissible load kg
K1782.12550	ball bearing	125	20	50	60	500
K1782.16050	ball bearing	160	20	50	60	700
K1782.20050	ball bearing	200	20	50	60	1000
K1782.25060	ball bearing	250	25	60	70	1350

## Wheels polyamide



**Material:**  
Polyamide

**Sample order:**  
K1783.12540

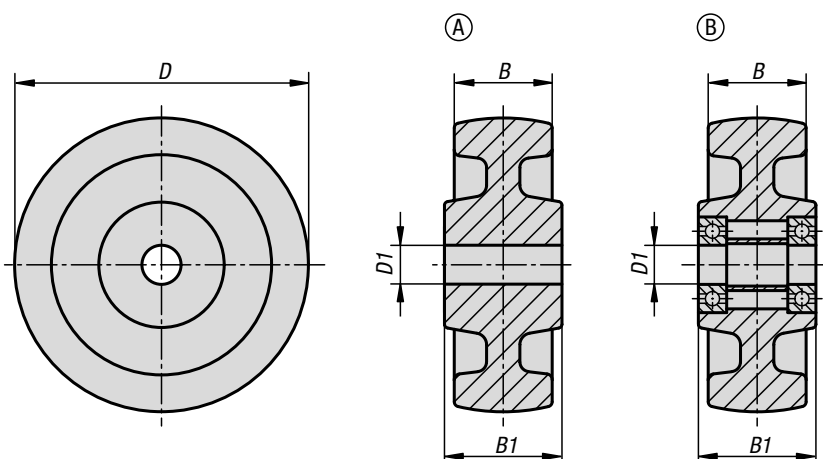
**Note:**  
Polyamide wheels are unbreakable, non-corroding, shock and impact proof and chemical resistant. They also have high abrasion resistance and low roll resistance.  
Other sizes or with ball bearing on request.

### KIPP Wheels polyamide

Order No.	Wheel bearing	D	D1	B	B1	Permissible load kg
K1783.07532	plain bearing	75	12	32	35	200
K1783.10037	plain bearing	100	15	37	45	280
K1783.12540	plain bearing	125	15	40	45	300
K1783.15050	plain bearing	150	20	50	60	400
K1783.20050	plain bearing	200	20	50	60	600

## Wheels polyamide

heavy-duty version



**Material:**  
Polyamide.

**Sample order:**  
K1784.10037

**Note:**  
Polyamide wheels are unbreakable, non-corroding, shock and impact proof and chemical resistant. They also have high abrasion resistance and low roll resistance. Suitable as replacement rollers for the castors K1772.

**Drawing reference:**  
Form A: plain bearing  
Form B: ball bearing

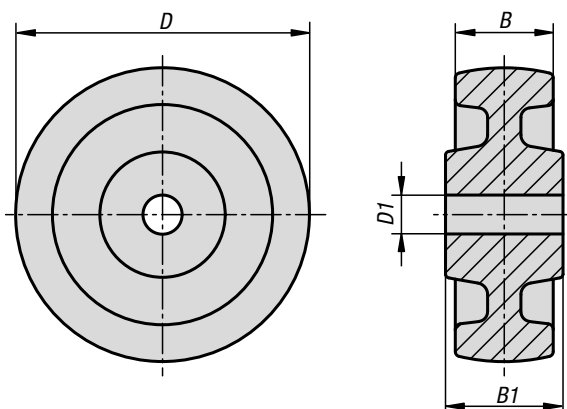
### KIPP Wheels polyamide heavy-duty version

Order No.	Form	Form-Type	D	D1	B	B1	Permissible load kg
K1784.07532	A	plain bearing	75	12	32	35	300
K1784.10037	A	plain bearing	100	15	37	45	500
K1784.12540	A	plain bearing	125	15	40	45	700
K1784.15050	A	plain bearing	150	20	50	60	800
K1784.20050	A	plain bearing	200	20	50	60	1500
K1784.25065	A	plain bearing	250	25	65	70	2000
K1784.075321	B	ball bearing	75	15	32	35	300
K1784.100371	B	ball bearing	100	15	37	45	500
K1784.125401	B	ball bearing	125	20	40	45	700
K1784.150501	B	ball bearing	150	20	50	60	800
K1784.200501	B	ball bearing	200	25	50	60	1500
K1784.250651	B	ball bearing	250	25	65	65	2000



## Wheels thermoset

heat-resistant



**Material:**

Thermoset PF.

**Version:**

Hardness Shore 90D, black.  
Notch impact strength ca. 2.5 kJ/m<sup>2</sup>.

**Sample order:**

K1785.07528

**Note:**

Thermoset wheels for high-heat sectors, with exceptional running characteristics on smooth floors.

Excellent chemical resistance to many aggressive types of media. Typical uses are in hot plants, paint shops, bakers and smoking ovens.

Higher abrasion is unavoidable on rough floors. Running against curbs or bumps should be avoided due to the limited mechanical durability of phenolic resin.

**Temperature range:**

-35°C to +260°C, short-term up to +300°C.

### KIPP Wheels thermoset, heat-resistant

Order No.	Wheel bearing	D	D1	B	B1	Permissible load kg
K1785.07528	plain bearing	75	8,4	28	31	100
K1785.10030	plain bearing	100	15,2	30	40	150
K1785.10038	plain bearing	100	15,2	38	42	200
K1785.12546	plain bearing	125	20,2	46	58	275
K1785.15050	plain bearing	150	20,2	50	58	300
K1785.20050	plain bearing	200	20,2	50	60	350
K1785.25050	plain bearing	250	20,2	50	58	350

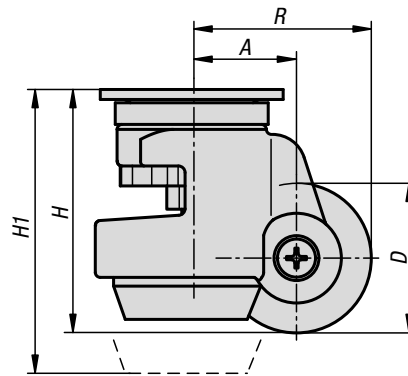
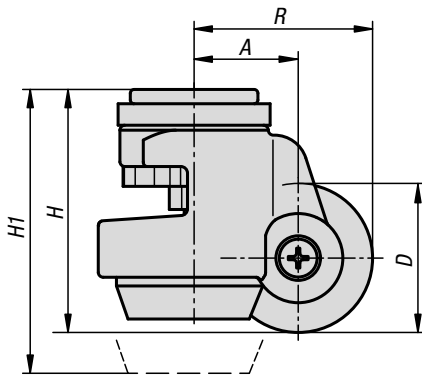
## Elevating castors with foot

with bolt hole or mounting plate



bolt hole

mounting plate



**Material:**

Housing die-cast aluminium.  
Roller break resistant polyamide 6, Shore 70D.  
Foot hard rubber.

**Version:**

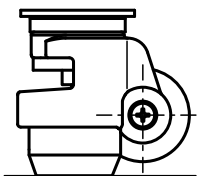
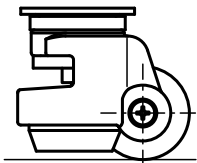
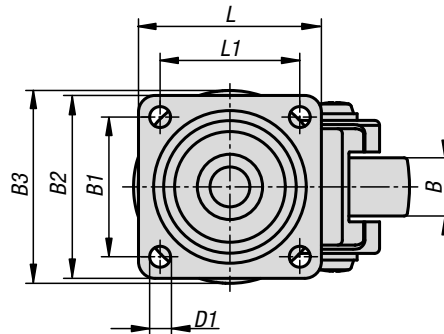
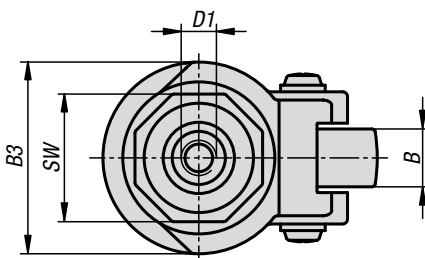
Housing, powder-coated, ivory.  
Steel parts trivalent blue passivated.  
Roller and foot black.

**Sample order:**

K1786.045180

**Note:**

Elevating castor with foot. With sealed ball bearing in the swivel head. Height adjustment with a 13 mm spanner or by the integrated adjustment screw. Wheel axle bolted.



### KIPP Elevating castors with foot with bolt hole or mounting plate

Order No.	Version 1	Wheel bearing	D	D1	A	B	B1	B3	H	H1	L	L1	R	SW	Permissible load kg
K1786.045180	with locking system	plain bearing	45	M8x12	32	18	-	58	72	82	-	-	54,5	40	180
K1786.050220	with locking system	plain bearing	50	M12x15	38	22	-	72	84	94	-	-	63	46	250
K1786.063290	with locking system	plain bearing	63	M12x15	46	29	-	85	104	119	-	-	77,5	65	500
K1786.045181	with locking system	plain bearing	45	7	32	18	42	58	72	82	55	42	54,5	-	180
K1786.050221	with locking system	plain bearing	50	7	38	22	58	72	84	94	73	58	63	-	250
K1786.063291	with locking system	plain bearing	63	9	46	29	70	85	104	119	90	70	77,5	-	500

## Elevating castors

with integrated machine foot



**Material:**

Housing steel plate.  
Roller break resistant polyamide 6, Shore 70D.  
Machine foot steel.

**Version:**

Housing trivalent blue passivated.  
Roller white.  
Machine foot electro zinc-plated with grey rubber pads.

**Sample order:**

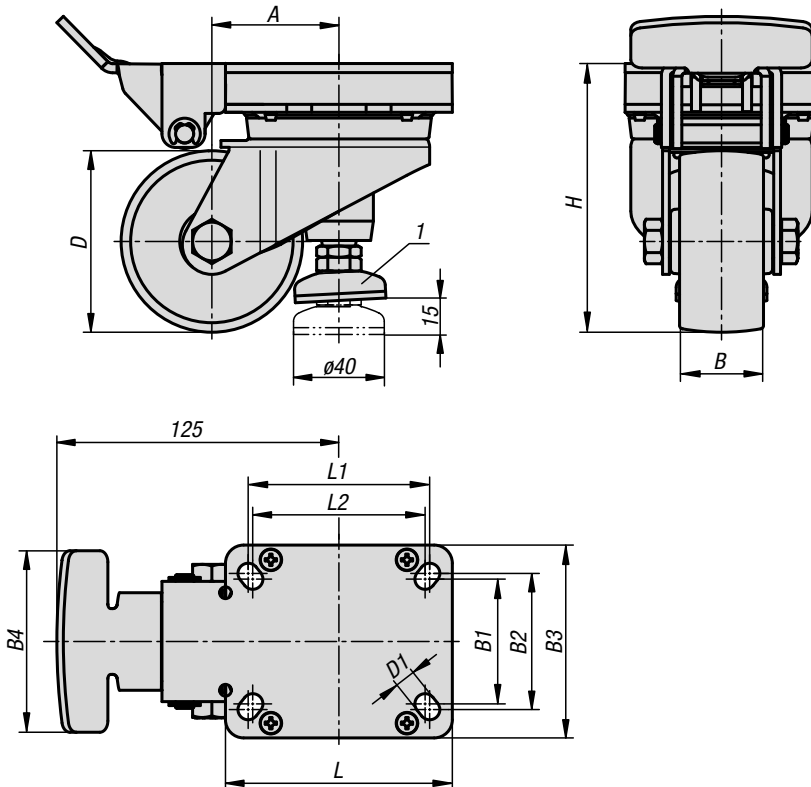
K1787.08037

**Note:**

Elevating castor swivel version with integrated levelling machine foot. With sealed ball bearing in the swivel head. Wheel axle bolted. The ergonomic form of the non-swivelling actuating lever enables ease of operation. The short actuation travel with simultaneous long plunger stroke and very high lifting force enables heavy weights to be easily raised and safely fixated.

**Drawing reference:**

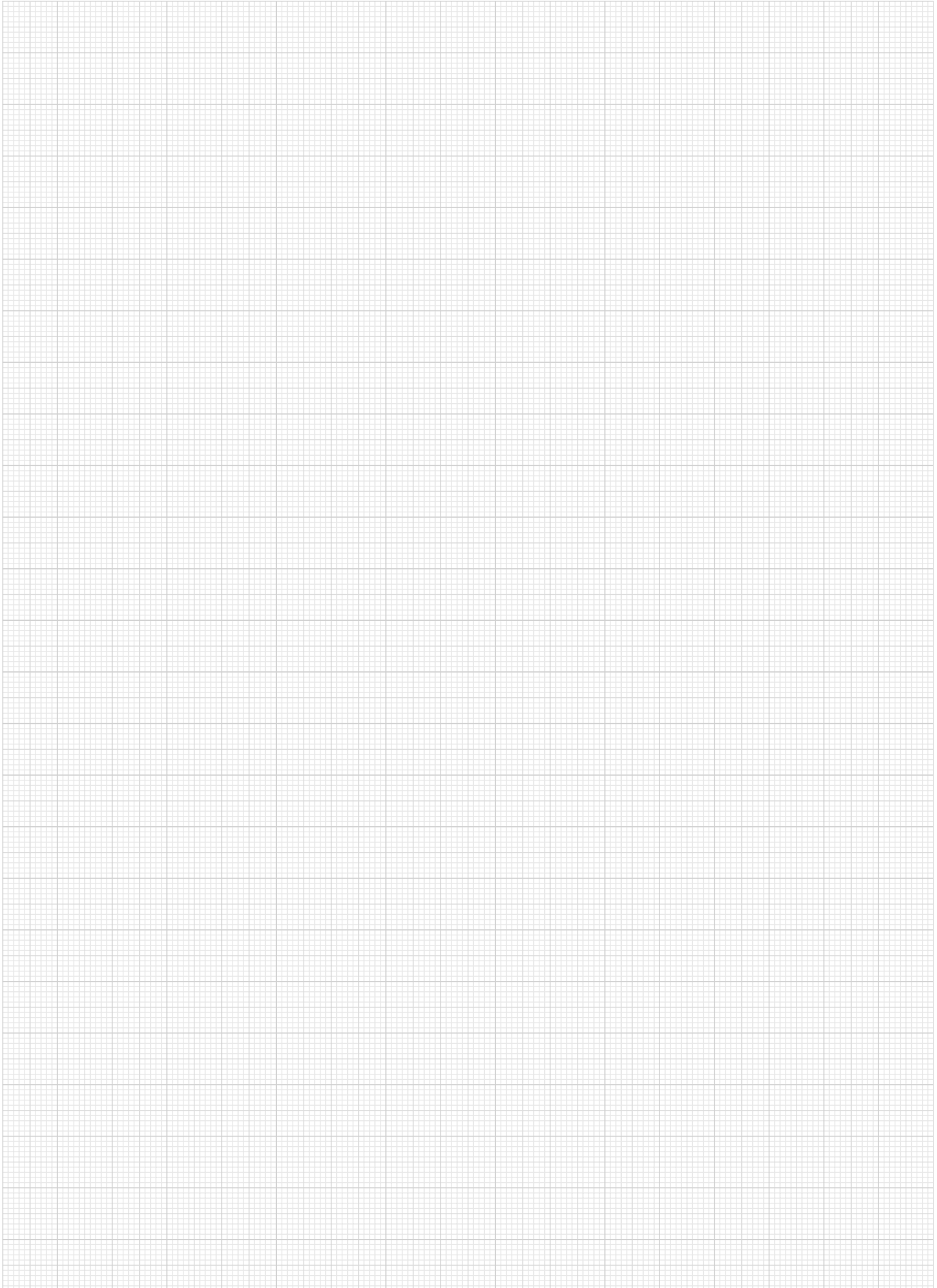
1) swivelling



### KIPP Elevating castors with integrated machine foot

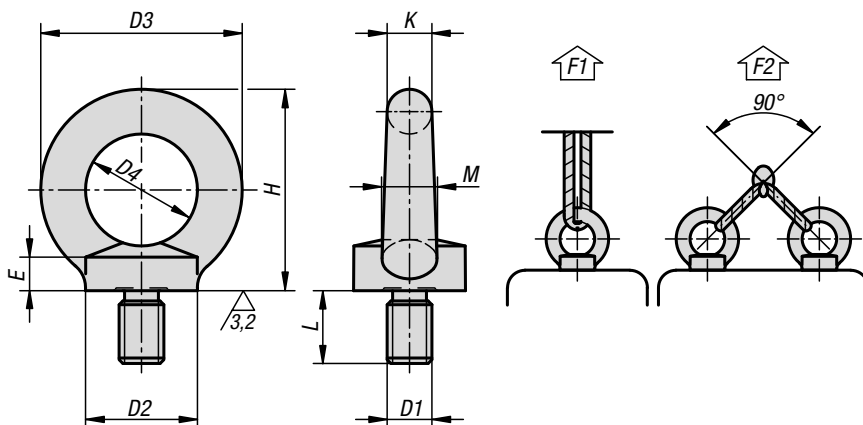
Order No.	Version 1	Wheel bearing	D	A	B	B1	B2	B3	B4	D1	H	L	L1	L2	Permissible load kg
K1787.08037	with locking system	plain bearing	80	56	37	55	60	80	85	9	120	100	80	76	230
K1787.10037	with locking system	plain bearing	100	65	37	55	60	80	85	9	142	100	80	76	230





## Ring bolts

DIN 580



**Material:**

1.1141 steel, 1.4301 stainless steel or 1.4401 stainless steel.

**Version:**

Drop forged.  
Steel, bright.  
Steel electro zinc-plated.

**Sample order:**

K0767.20

**Note:**

For high demand hoisting and carrying tasks in safety-relevant areas (machine construction, load handling equipment, lifting tackle).

The CE mark is impressed into the ring bolt.

F2 permissible load under max. 45° per ring bolt.

**On request:**

Certificate of conformity.

### KIPP Ring bolts DIN 580

Order No. steel bright	Order No. steel galvanised	D1	L	D2	D3	D4	E	H	K	M	F1 max. kN	F2 max. kN
K0767.08	K0767.008	M8	13	20	36	20	6	36	8	10	1,4	0,95
K0767.10	K0767.010	M10	17	25	45	25	8	45	10	12	2,3	1,7
K0767.12	K0767.012	M12	20,5	30	54	30	10	53	12	14	3,4	2,4
K0767.16	K0767.016	M16	27	35	63	35	12	62	14	16	7	5
K0767.20	K0767.020	M20	30	40	72	40	14	71	16	19	12	8,3
K0767.24	K0767.024	M24	36	50	90	50	18	90	20	24	18	12,7

Order No. stainless steel 1.4301	Order No. stainless steel 1.4401	D1	L	D2	D3	D4	E	H	K	M	F1 max. kN	F2 max. kN
K0767.108	K0767.208	M8	13	20	36	20	6	36	8	10	1,4	0,95
K0767.110	K0767.210	M10	17	25	45	25	8	45	10	12	2,3	1,7
K0767.112	K0767.212	M12	20,5	30	54	30	10	53	12	14	3,4	2,4
K0767.116	K0767.216	M16	27	35	63	35	12	62	14	16	7	5
K0767.120	K0767.220	M20	30	40	72	40	14	71	16	19	12	8,3
K0767.124	K0767.224	M24	36	50	90	50	18	90	20	24	18	12,7

## Ring bolts

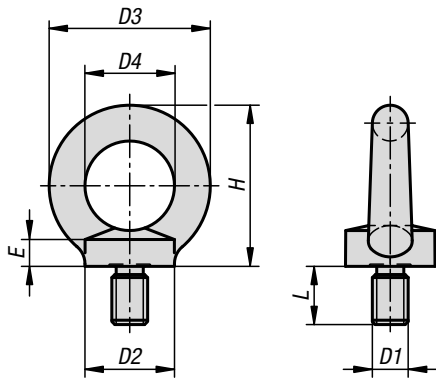
similar to DIN 580



**Material:**  
Stainless steel 1.4401.

**Version:**  
Bright.

**Sample order:**  
K1333.08

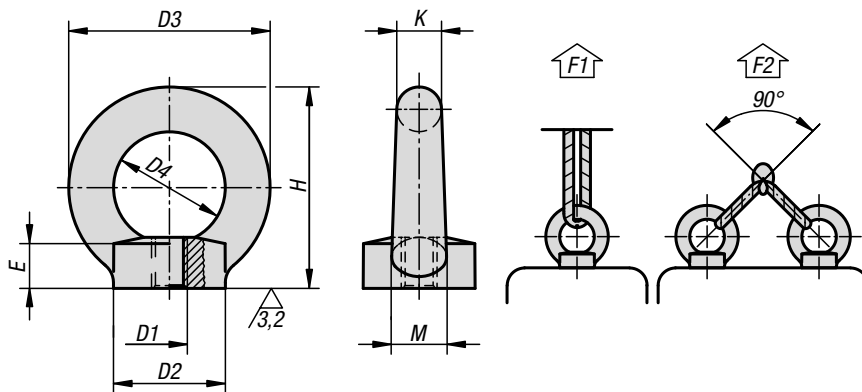


### KIPP Ring bolts similar to DIN 580

Order No.	D1	D2	D3	D4	E	H	L
K1333.08	M8	20	36	20	6	36	13
K1333.10	M10	25	45	25	8	45	17
K1333.12	M12	30	54	30	10	53	20,5
K1333.16	M16	35	63	35	12	62	27
K1333.20	M20	40	72	40	14	71	30

## Ring nuts

DIN 582



**Material:**

1.1141 steel, 1.4301 stainless steel or 1.4401 stainless steel.

**Version:**

Drop forged.  
Steel, bright.  
Steel electro zinc-plated.

**Sample order:**

K0768.10

**Note:**

For high demand hoisting and carrying tasks in safety-relevant areas (machine construction, load handling equipment, lifting tackle).  
The CE mark is impressed into the ring bolt.  
F2 permissible load under max. 45° per ring bolt.

**On request:**

Certificate of conformity.

### KIPP Ring nuts DIN 582

Order No. steel bright	Order No. steel galvanised	D1	D2	D3	D4	E	H	K	M	F1 max. kN	F2 max. kN
K0768.08	K0768.008	M8	20	36	20	8,5	36	8	10	1,4	0,95
K0768.10	K0768.010	M10	25	45	25	10	45	10	12	2,3	1,7
K0768.12	K0768.012	M12	30	54	30	11	53	12	14	3,4	2,4
K0768.16	K0768.016	M16	35	63	35	13	62	14	16	7	5
K0768.20	K0768.020	M20	40	72	40	16	71	16	19	12	8,3
K0768.24	K0768.024	M24	50	90	50	20	90	20	24	18	12,7

Order No. stainless steel 1.4301	Order No. stainless steel 1.4401	D1	D2	D3	D4	E	H	K	M	F1 max. kN	F2 max. kN
K0768.108	K0768.208	M8	20	36	20	8,5	36	8	10	1,4	0,95
K0768.110	K0768.210	M10	25	45	25	10	45	10	12	2,3	1,7
K0768.112	K0768.212	M12	30	54	30	11	53	12	14	3,4	2,4
K0768.116	K0768.216	M16	35	63	35	13	62	14	16	7	5
K0768.120	K0768.220	M20	40	72	40	16	71	16	19	12	8,3
K0768.124	K0768.224	M24	50	90	50	20	90	20	24	18	12,7

## Ring nuts

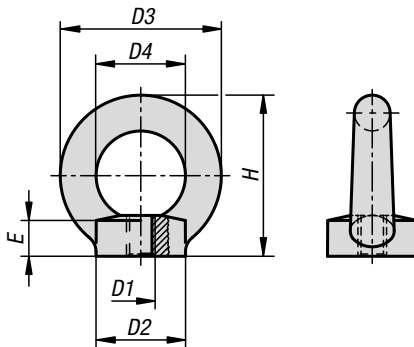
similar to DIN 582



**Material:**  
Stainless steel 1.4401.

**Version:**  
Bright.

**Sample order:**  
K1334.08

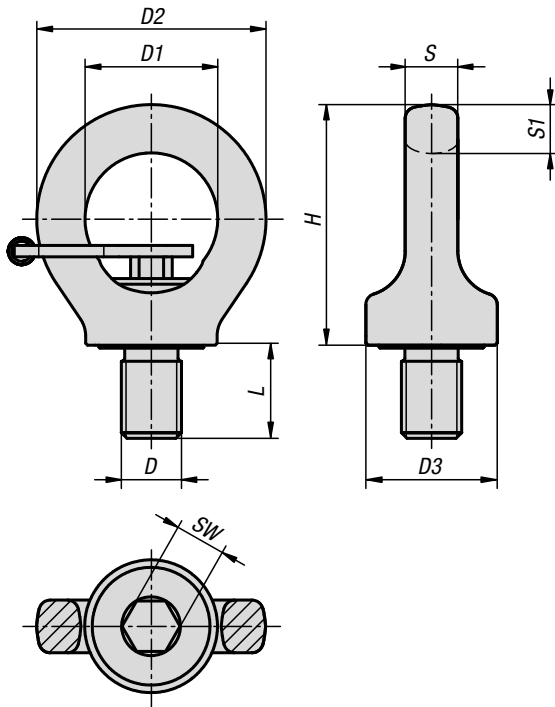


### KIPP Ring nuts similar to DIN 582

Order No.	D1	D2	D3	D4	E	H
K1334.08	M8	20	36	20	6	36
K1334.10	M10	25	45	25	8	45
K1334.12	M12	30	54	30	10	53
K1334.16	M16	35	63	35	12	62
K1334.20	M20	40	72	40	14	71

## Ring bolts rotatable

high-strength grade 10



**Material:**

Ring 1.6541 steel.  
Screw steel.

**Version:**

Ring forged and high tensile tempered.  
100% electromagnetic crack tested per EN 1677-1,  
4x safety factor.  
Plastic-coated.  
Thread grade 10.9.

**Sample order:**

K0769.08151

**Note:**

In contrast to DIN 580 ring bolts this ring bolt is rotatable, therefore the load direction is adjustable and unintended tightening or loosening is negated.

Maximum lifting weight "G" in kg for different sling types

Sling configuration	0°		90°		0°-45°		45°-60°	
	1	2	1	2	2	2	3 - 4	3 - 4
No. of slings	1	2	1	2	2	2	3 - 4	3 - 4
Sling angle $\alpha$	0°	0°	90°	90°	0°-45°	45°-60°	0°-45°	45°-60°
M8	1000	2000	300	600	420	300	630	450
M10	1000	2000	400	800	560	400	840	600
M12	2000	4000	750	1500	1000	750	1600	1120
M16	4000	8000	1500	3000	2000	1500	3150	2250
M20	6000	12000	2300	4600	3220	2300	4830	3450
M24	8000	16000	3200	6400	4480	3200	6700	4800
M30	12000	24000	4500	9000	6300	4500	9400	6700

- 4x safety factor
- lateral loading up to 90° is possible
- ring can rotate 360° with tightened screw

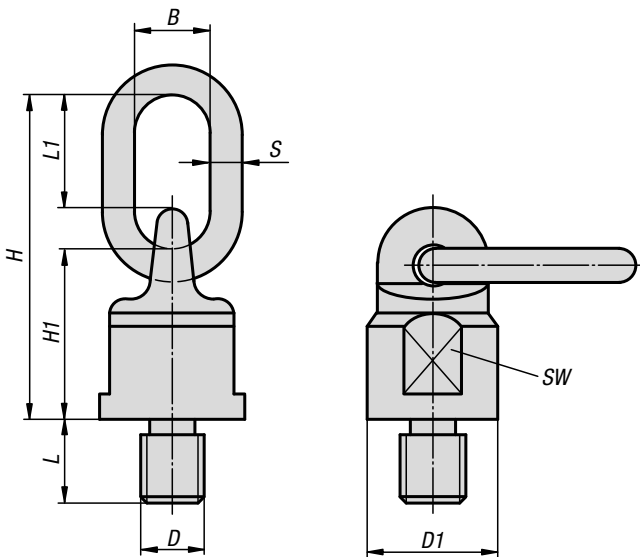
The listed load values apply for a minimum screw length of 1x nominal thread diameter in steel with a minimum tensile strength of 363 N/mm<sup>2</sup>, at an application temperature of -20 °C to +100 °C.

### KIPP Rotatable ring bolts, high-strength grade 10

Order No.	Version 2	D	D1	D2	D3	H	L	S	S1	SW	Permissible load kg
K0769.08151	with hex key	M8	25	44	25	47	12	9	9,5	6	300
K0769.10151	with hex key	M10	25	44	26	47	15	9	9,5	6	400
K0769.12181	with hex key	M12	30	52	34	55	18	11	11	8	750
K0769.16241	with hex key	M16	35	61	35	64	24	14	13	10	1500
K0769.20301	with hex key	M20	40	70	44	74	30	16	15	12	2300
K0769.24361	with hex key	M24	48	84	52	91	36	19	18	14	3200
K0769.30451	with hex key	M30	60	105	61	112	45	25	22,5	17	4500
K0769.08150	without hex key	M8	25	44	25	47	12	8	11	6	300
K0769.10150	without hex key	M10	25	44	25	47	15	8	11	6	400
K0769.12180	without hex key	M12	30	52	33	55	18	10	13	8	750
K0769.16240	without hex key	M16	35	61	35	64	24	14	13	10	1500
K0769.20300	without hex key	M20	40	70	44	74	30	16	17	12	2300
K0769.24360	without hex key	M24	48	84	52	91	36	19	21	14	3200
K0769.30450	without hex key	M30	60	108	62	112	45	27	26	17	4500

## Ring bolts

swivel, 360° rotatable, grade 8



**Material:**  
Steel.

**Version:**  
Quality class 8, ball bearing;  
red plastic-coated

**Sample order:**  
K0770.1018

**Note:**  
Compact and light design, full loading on all sides.  
4x safety factor against breakage in all loading axis.  
Rotatable 360°. Link swivel range max. 180°. The ball bearing allows the ring to rotate even under load.

Lifting or securing loads, swivel rings have many uses.

For the loading capacity to be valid it must be ensured that the ring is in line with the load. The swivel face must lie flat on the support beam and the screw must always be screwed in fully.

Maximum lifting weight "G" in kg for different sling types

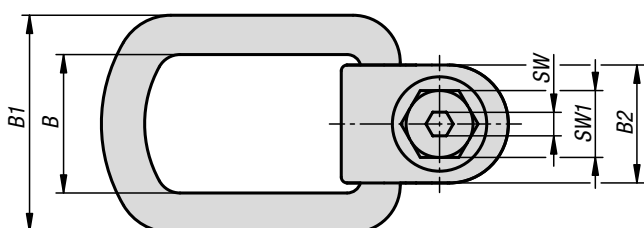
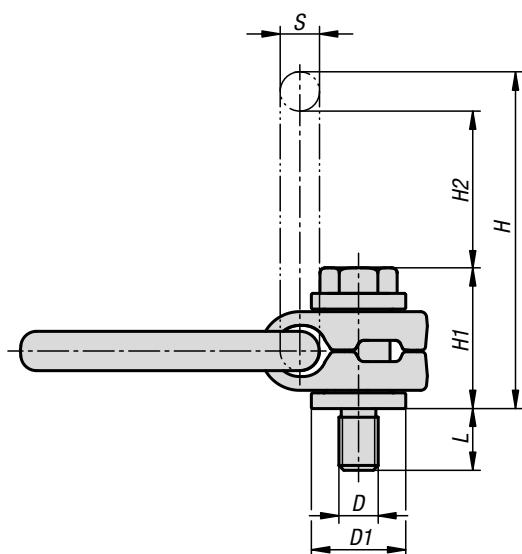
Sling configuration																
	G	G	G	G	G	G	G	G	G	G	G	G	G	G		
No. of slings	1	2	1	2	2	2	3 - 4	3 - 4								
sling angle $\alpha$	0°	0°	90°	90°	0°-45°	45°-60°	0°-45°	45°-60°								
M10	600	1200	300	600	420	300	630	450								
M12	1000	2000	500	1000	750	500	1100	750								
M16	2000	4000	1120	2000	1500	1120	2360	1600								
M20	4000	8000	2000	4000	2800	2000	4000	3000								
M24	6300	12500	3150	6300	4250	3150	6300	4750								
M30	10600	21200	5300	10600	7100	5800	11200	8000								
M36	12500	25000	8000	16000	11200	8000	16800	12000								

### KIPP Ring bolts, swivel, rotatable 360°, grade 8

Order No.	B	D	D1	H	H1	L	L1	S	SW	Permissible load kg
K0770.1018	30	M10	38	105	50	18	46	13	30	300
K0770.1218	30	M12	38	105	50	18	46	13	30	500
K0770.1620	30	M16	38	105	50	20	46	13	30	1120
K0770.2030	34	M20	50	131	61	30	57	16	40	2000
K0770.2430	40	M24	58	153	68	30	70	19	48	3150
K0770.3035	40	M30	75	165	80	35	65	20	65	5300
K0770.3654	50	M36	85	205	95	54	90	22	75	8000

# Hoist rings, steel, 360° rotation

grade 10



### Material:

Ring and attachment shackle steel.  
Bolt and bushing steel.

### Version:

Ring and shackle forged, hardened and tempered.  
100% electromagnetic crack detection, painted blue.  
Bolt grade 10.9 or higher. 100% electromagnetic crack detection.  
Bush electro zinc-plated.

### Sample order:

K1735.12020

### Note:

The hoist ring can be folded-down, rotates through 360° and bears the full load in any permitted loading direction. The nominal load capacity is visibly indicated on the hoist ring. It applies to the most unfavourable load case (see table). The test load is 2.5 times the safe working load (SWL). The specified working load limit must not be exceeded.

With captive but removable hex bolt. The hoist rings comply with the Machinery Directive and are DGUV tested.

Tested according to DIN EN 1677-1.

The CE marking is stamped into the hoist ring.

### On request:

Certificate of conformity.



## Hoist rings, steel, 360° rotation

grade 10



Maximum lifting weight "G" in kg for different sling types

Sling configuration																				
	No. of slings	1	1	2	2	2	2	2	2	3 - 4	3 - 4	3 - 4	3 - 4	3 - 4	3 - 4	3 - 4	3 - 4	3 - 4	3 - 4	
sling angle $\alpha$	0°	90°	0°	90°	0°-45°	45°-60°	asymmetric	0°-45°	45°-60°	asymmetric	0°-45°	45°-60°	asymmetric	0°-45°	45°-60°	asymmetric	0°-45°	45°-60°	asymmetric	
M8	300	300	600	600	420	300	300	640	450	300	640	450	300	640	450	300	640	450	300	
M10	630	630	1260	1260	890	630	630	1340	950	630	1340	950	630	1340	950	630	1340	950	630	
M12	1000	1000	2000	2000	1410	1000	1000	2120	1500	1000	2120	1500	1000	2120	1500	1000	2120	1500	1000	
M16	1500	1500	3000	3000	2120	1500	1500	3180	2250	1500	3180	2250	1500	3180	2250	1500	3180	2250	1500	
M20	2500	2500	5000	5000	3540	2500	2500	5300	3750	2500	5300	3750	2500	5300	3750	2500	5300	3750	2500	
M24	4000	4000	8000	8000	5660	4000	4000	8480	6000	4000	8480	6000	4000	8480	6000	4000	8480	6000	4000	
M30	5000	5000	10000	10000	7070	5000	5000	10610	7500	5000	10610	7500	5000	10610	7500	5000	10610	7500	5000	
M36	8000	8000	16000	16000	11310	8000	8000	16970	12000	8000	16970	12000	8000	16970	12000	8000	16970	12000	8000	

### KIPP Hoist rings, steel, 360° rotation, grade 10

Order No.	B	B1	B2	D	D1	H	H1	H2	L	S	SW	SW1	max. permissible load kg	Tightening torque Nm
K1735.08011	36	57	30	M8	24	87	34	41	11	12	6	13	300	20
K1735.10016	36	57	30	M10	24	87	35	40	16	12	6	17	630	30
K1735.12020	36	57	34	M12	30	98	43	41	20	14	8	19	1000	45
K1735.16025	36	57	34	M16	30	98	46	39	25	14	10	24	1500	150
K1735.20032	53	83	50	M20	45	145	56	71	32	17	12	30	2500	300
K1735.24037	53	83	50	M24	45	145	59	69	37	17	14	36	4000	400
K1735.30044	64	101	67	M30	59	172	85	64	44	23	17	46	5000	1000
K1735.36053	84	126	78	M36	69	223	100	96	53	28	22	55	8000	1800

## Weld-on D-rings



**Material:**  
Eye 1.6541 steel.  
Welding block, S355JR steel.

**Version:**  
D-ring forged, high tensile tempered, red plastic coated.  
Welding block forged, high tensile tempered, bright.

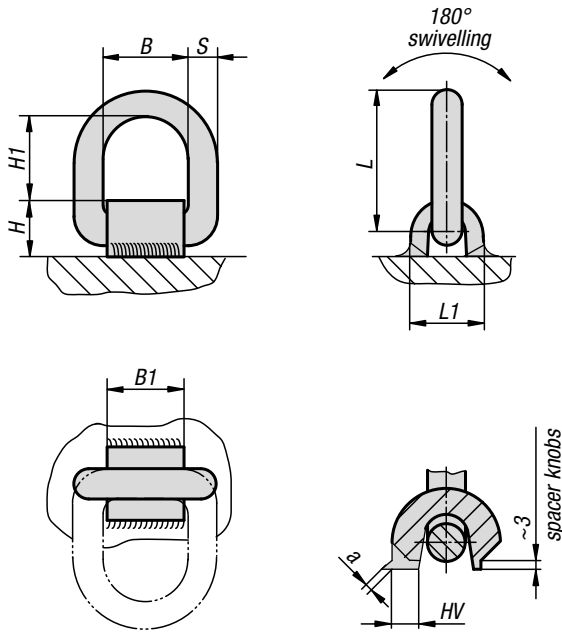
**Sample order:**  
K0773.1000

**Note:**  
Weld-on D-rings enable quick installation.

They offer a compact design and can be loaded from all sides, with 4x safety factor against breakage.

The welding block is forged from easy to weld S355JR (St 52-3). The small knobs serve as spacers for the air gap required for fillet welding (ca. 3 mm). The load data given in the table is clearly marked on the welding block, they apply to worst scenario cases for the lifting type shown.

Welding must be carried out by a proficient welder certified to EN 287-1.

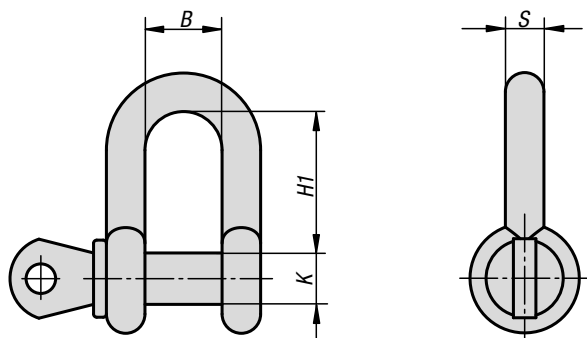


Maximum lifting weight "G" in kg for different sling types

Sling configuration	Diagram 1		Diagram 2		Diagram 3		Diagram 4	
	G	G	G	G	G	G	G	G
No. of slings	1	2	1	2	2	2	3 - 4	3 - 4
Sling angle $\sphericalangle$	0°	0°	90°	90°	0°-45°	45°-60°	0°-45°	45°-60°
K0773.1***	1600	3200	1120	2240	1500	1120	2360	1600
K0773.2***	3000	6000	2000	4000	2800	2000	4000	3000
K0773.3***	4750	9500	3150	6300	4250	3150	6300	4750
K0773.5***	8000	16000	5300	10600	7100	5300	11200	8000

### KIPP Weld-on D-rings

Order No. without spring strip	Order No. with spring strip	B	B1	H	H1	L	L1	S	Weld seam	Permissible load kg
K0773.1000	K0773.1001	40	38	32	40	73	38	13	HV 5 + a3	1120
K0773.2000	K0773.2001	41	38	32	45	81	40	13	HV 5 + a3	2000
K0773.3000	K0773.3001	45	43	38	45	87	42	17	HV 8 + a3	3150
K0773.5000	K0773.5001	55	50	48	57	108	60	22	HV 12 + a4	5300



**Material:**  
Steel.

**Version:**  
D form

**Sample order:**  
K1059.0050008

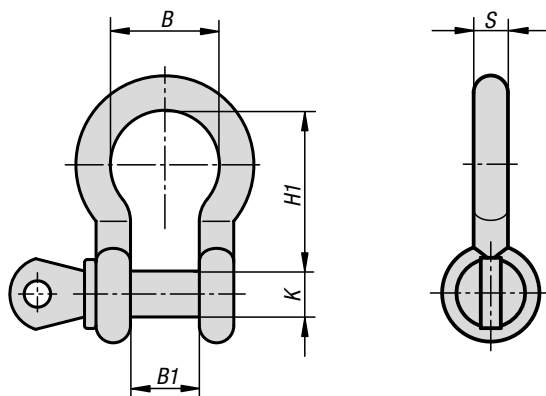
**Note:**  
Shackles and bolts may vary in colour.  
Paint may cause the thread to be stiff.

### KIPP D-Shackles

Order No.	B	S	K	H1	Inches	Permissible load kg
K1059.0050008	12	6,7	8	24,6	1/4	500
K1059.0075010	13,5	7,9	9,5	27,2	5/16	750
K1059.0100011	16,8	9,6	11	32,5	3/8	1000
K1059.0150012	19	11,2	12,7	37,6	7/16	1500
K1059.0200016	20,6	12,7	16	40,7	1/2	2000
K1059.0325019	27	16	19	50	5/8	3250
K1059.0475022	31,8	19	22,2	59,5	3/4	4750
K1059.0650025	36,6	22	25,4	71	7/8	6500
K1059.0850028	43	25	28,5	80,5	1	8500



## Bow shackles



**Material:**  
Steel.

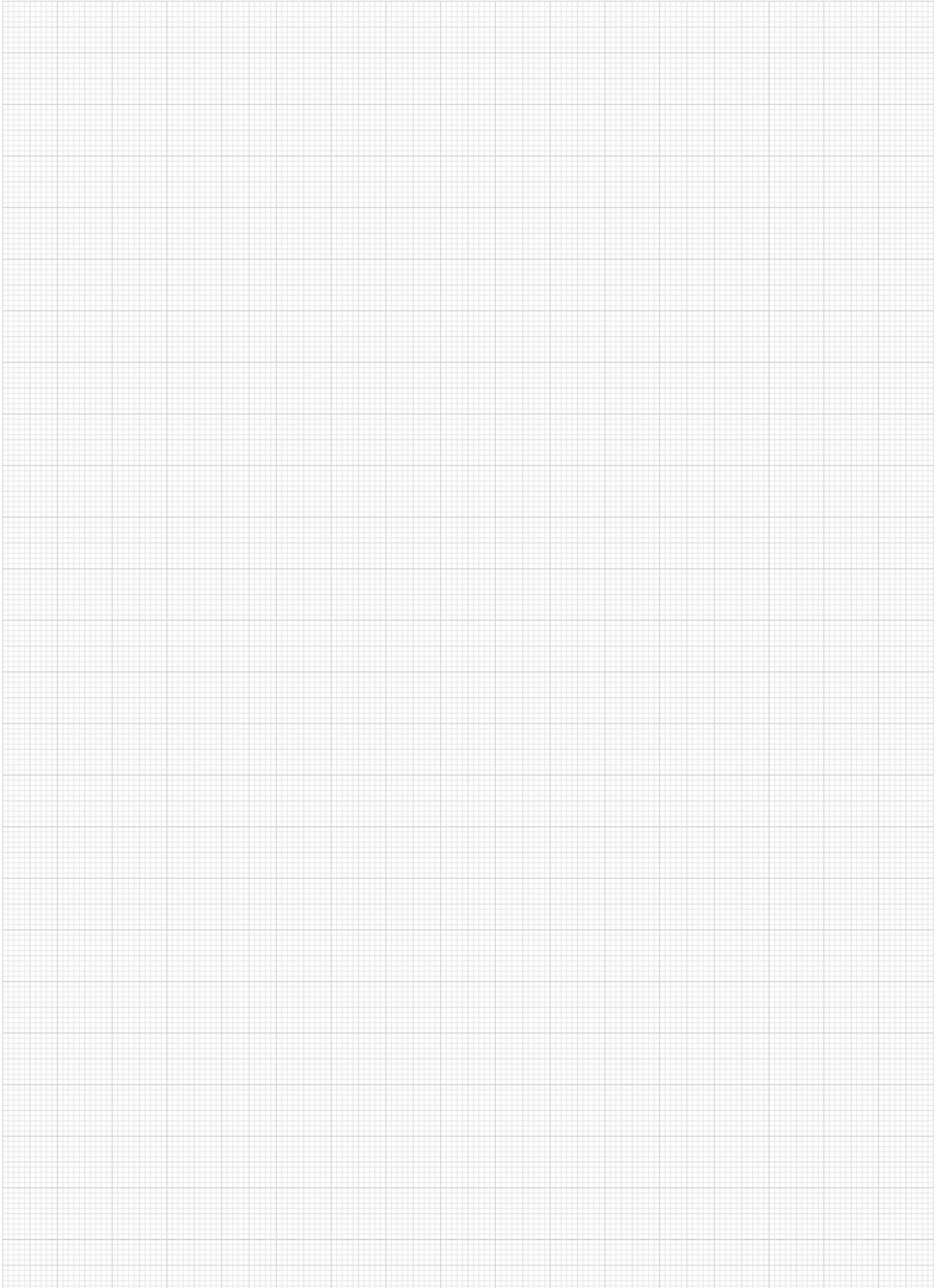
**Version:**  
Bow form.

**Sample order:**  
K1058.0100011

**Note:**  
Shackles and bolts may vary in colour.  
Paint may cause the thread to be stiff.

### KIPP Bow shackle

Order No.	B	B1	S	K	H1	Inches	Permissible load kg
K1058.0050008	19,8	12	6,4	8	28,7	1/4	500
K1058.0075010	21,3	13,5	7,9	9,5	31	5/16	750
K1058.0100011	26,2	16,8	9,6	11	36,5	3/8	1000
K1058.0150012	29,5	19	11,2	12,7	43	7/16	1500
K1058.0200016	33	20,6	12,7	16	48	1/2	2000
K1058.0325019	42	27	16	19	60	5/8	3250
K1058.0475022	51	31,8	19	22,2	71	3/4	4750
K1058.0650025	58	36,6	22	25,4	84	7/8	6500
K1058.0850028	68	43	25	28,5	95	1	8500



# Mounting instructions and specifications

## Ball transfer units



Ball transfer units allow bulky goods to be easily transported, rotated and directed. They have long proven their worth in conveyor systems, feeder systems, machining centres and packaging plants.

### Applications:

#### Conveyor technology

- ball pallets, rotary tables and sorting and distribution switch points
- crossing points in permanent conveyance systems
- Airport luggage sorting plants
- Steel pipe transport
- Lifting platforms

#### General machine shops

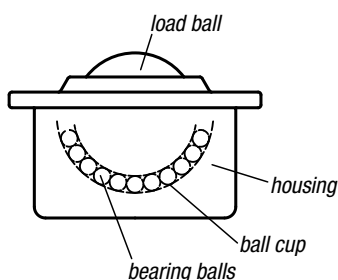
- Feed tables for sheetmetal handling machines
- Fixtures for bending machines
- Conveyors for machining centres
- Motor driven assembly aids in heavy engineering

#### Other applications

- Custom machine construction
- Aerospace technology
- Beverage production
- Stone processing

Ball transfer units have a steel housing with a hardened ball cup. This serves as the track for a number of small bearing balls. These bearing balls roll in the cup with the rotation of the load ball.

Ball transfer units are designed so that precise rolling and load carrying is guaranteed in all positions. Ball transfer units are low maintenance and almost all types have an oil soaked felt seal to protect from dirt.



### Calculating the ball transfer unit loading

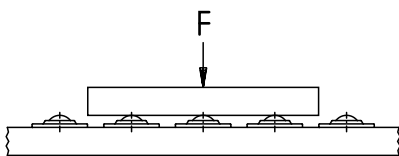
To calculate the loading for ball transfer units, divide the weight of the transported goods by 3. With good coordination of the load ball surface and, depending on the properties of the goods transported, the number of load bearing ball transfer units can also be calculated.

#### Example:

Weight of the transported goods = 300 kg

Ball transfer unit loading:

$$F = \frac{300 \text{ kg}}{3} = 100 \text{ kg}$$



### Arrangement of the ball transfer units

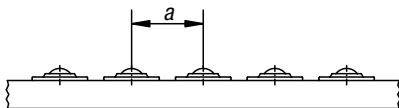
The arrangement of the ball transfer units depends on the surface area of the goods to be transported. By goods with a uniform, level surface area, such as the base of boxes, the distance between the ball transfer units is simply calculated from the length of the shortest edge divided by 2.5.

#### Example:

Surface area of goods = 500 x 1000 mm

Distance between ball transfer units:

$$a = \frac{500 \text{ mm}}{2,5} = 200 \text{ mm}$$



### Transport speed and load capacity

The recommended conveyance speed is 1 m/sec. With polyamid load balls 0.25 m/sec. The specified load rating applies to all mounting positions and relates to 106 revolutions of the load ball. By extended use in excess of 1 m/sec and depending on the loading, the temperature can be expected to rise and the useful life reduced, particularly with balls Ø60 to Ø90.

### Calculating the lifespan

$$L = \left( \frac{C}{F} \right)^3 \cdot 10^6 \text{ revs}$$

L = lifespan

C = load rating (N)

F = loading (N)

Attention:

Use high temperature lubricant!

Follow manufacturer's instructions!

It is possible that the existing lubrication oil may have to be washed out.

Temperature load ball		Temperature factor fT
steel °C	polyamid °C	
125	40	0,9
150	50	0,8
175	60	0,7
-	70	0,6
200	80	0,5

### Temperature resistance

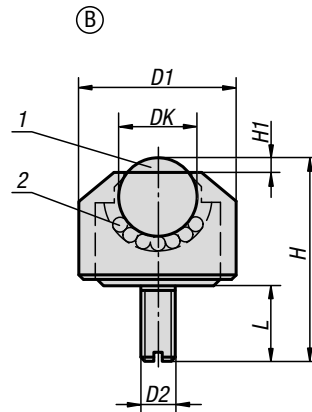
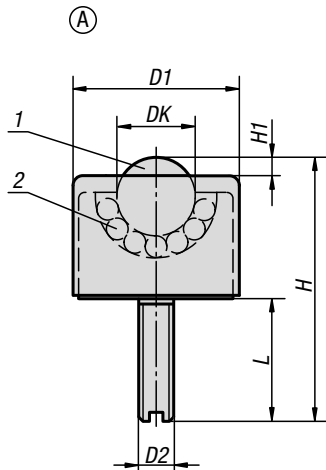
For ball transfer units with a felt seal the temperature resistance is 100 °C by constant temperature.

Only non-galvanised ball transfer units with a steel ball and no felt seal can be used at temperatures in excess of 100 °C. Note the load rating reduction! Multiply the load rating by the temperature factor (table).

### Calculating the loading by undersprung ball transfer units.

For these types the determining factor is the value given in the "Pre-tension" column of the table. The weight of the transported goods is divided by the number of supporting ball transfer units.

## Ball transfer units mini



### Material:

Steel version:  
 Load ball steel.  
 Bearing balls steel.  
 Housing electro zinc-plated steel.  
 Cover electro zinc-plated steel.

Stainless steel version:  
 Load ball stainless steel.  
 Bearing balls stainless steel.  
 Housing stainless steel.  
 Cover aluminium.

**Sample order:**  
 K0749.1105

### Note:

The ball transfer units comprise a housing with integrated bearing shell, a cover, a load ball and several supporting balls. For use in measuring instruments, material conveyance in clean rooms and miniature mechanisms.

### Drawing reference:

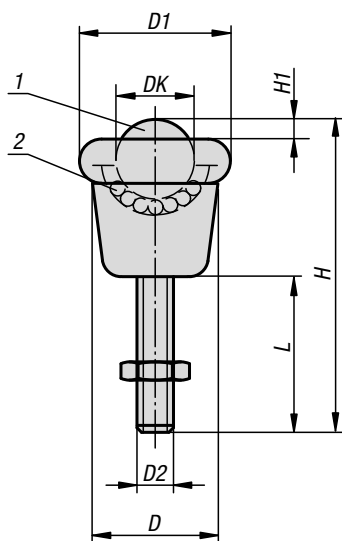
- 1) load ball
- 2) bearing balls

### KIPP Ball transfer units mini

Order No.	Form	Main material	DK	D1	D2	H	H1	L	Load rating C (N)
K0749.1105	A	steel	4,8	13	M6	24	1	15	100
K0749.1106	A	steel	6,4	17	M6	26	2	15	200
K0749.1108	A	steel	7,9	18	M8	32	2	18	300
K0749.1110	A	steel	9,6	23	M8	40	2	20	400
K0749.1113	A	steel	12,7	28	M8	48	3,5	23	500
K0749.1216	B	steel	15,8	24	M6	32,5	4	12	700
K0749.2205	B	stainless steel	4,8	8	M2	8,5	1	2,5	50
K0749.2206	B	stainless steel	6,4	13	M3	16,5	2	6	100
K0749.2208	B	stainless steel	7,9	15	M4	20,5	2	8	150



## Ball transfer units with stud



**Material:**

Balls stainless steel 1.4021.  
Housing stainless steel 1.4301.

**Version:**

Bright.

**Sample order:**

K1322.190820

**Note:**

The ball transfer units has a large support area.  
The stud fastening allows for high stability and heavy loading.  
The formed wiper seal is external.

**Drawing reference:**

- 1) load ball
- 2) bearing balls

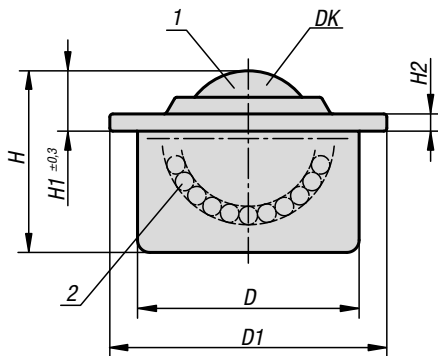
### KIPP Ball transfer units with stud

Order No.	DK	D	D1	D2	H	H1	L	Tightening torque of screws Nm	Load rating C (N)
K1322.190820	19	25,4	32,1	M8	50,2	4,7	20	15	250
K1322.190835	19	25,4	32,1	M8	75,2	4,7	45	15	250



## Ball transfer units

with steel housing



**Material:**

Electro zinc-plated steel or stainless steel.

**Sample order:**

K0760.122

**Note:**

Ball transfer units with steel housing have a felt seal to protect against dirt. K0760-115 has no felt seal.

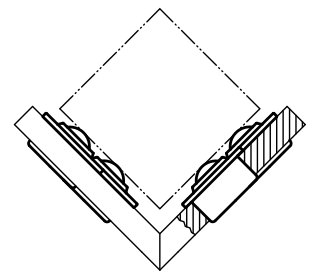
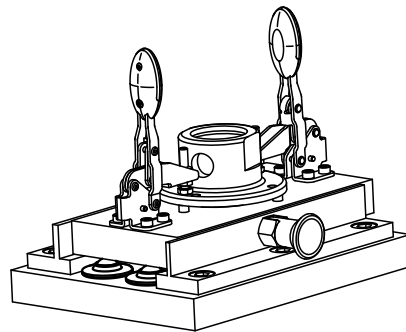
**Drawing reference:**

- 1) load ball
- 2) bearing balls

Form B: cap and housing electro zinc-plated, balls steel

Form C: cap and housing electro zinc-plated, balls stainless steel

Form D: cap, housing and balls stainless steel

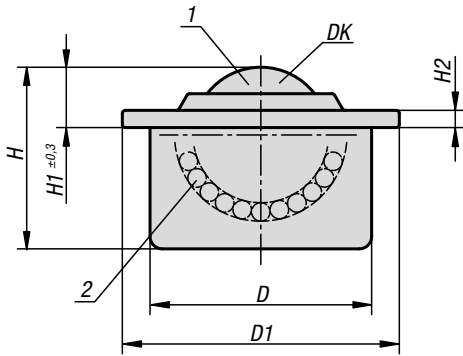


**KIPP Ball transfer units with steel housing**

Order No.	Form	DK	D	D1	H	H1	H2	Load rating C (N)	Suitable tolerance ring
K0760.115	B	15,8	24±0,065	31	21	9,5	2,8	600	K0766.024
K0760.122	B	22,2	36±0,080	45	30	9,8	2,8	1600	K0766.036
K0760.130	B	30	45±0,080	55	37	13,8	4	3000	K0766.045
K0760.145	B	44,5	62±0,095	75	53,5	19	4	6100	K0766.062
K0760.215	C	15,8	24±0,065	31	21	9,5	2,8	600	K0766.024
K0760.222	C	22,2	36±0,080	45	30	9,8	2,8	1600	K0766.036
K0760.230	C	30	45±0,080	55	37	13,8	4	3000	K0766.045
K0760.245	C	44,5	62±0,095	75	53,5	19	4	6100	K0766.062
K0760.315	D	15,8	24±0,065	31	21	9,5	2,8	380	K0766.024
K0760.322	D	22,2	36±0,080	45	30	9,8	2,8	1000	K0766.036
K0760.330	D	30	45±0,080	55	37	13,8	4	2000	K0766.045

## Ball transfer units

with steel housing and plastic ball



**Material:**

Electro zinc-plated steel.  
Polyamid PA 66 ball.

**Sample order:**

K0761.122

**Note:**

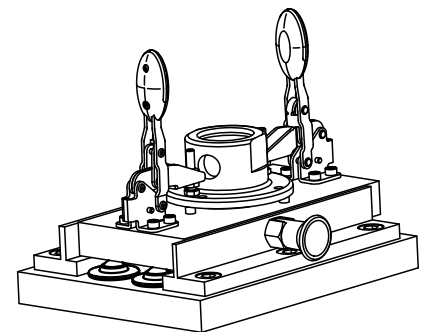
Ball transfer units with plastic balls are particularly suitable for transporting sensitive materials such as polished aluminium, brass and steel sheets or glass. They have a felt seal to protect against dirt.

**Drawing reference:**

- 1) load ball
- 2) bearing balls

Form B: cap and housing electro zinc-plated, bearing balls steel.

Form C: cap and housing electro zinc-plated, bearing balls stainless steel

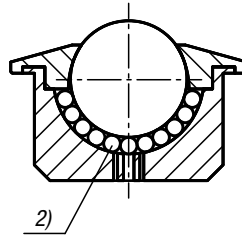
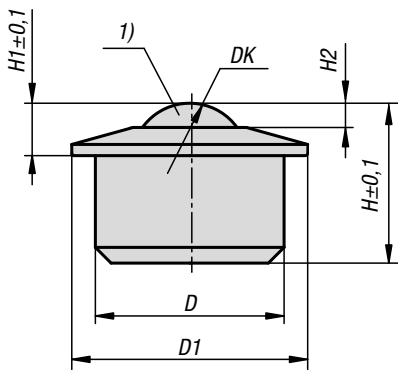


### KIPP Ball transfer units with steel housing and plastic ball

Order No.	Form	DK	D	D1	H	H1	H2	Load rating C (N)	Suitable tolerance ring
K0761.115	B	15,8	24±0,065	31	21	9,5	2,8	100	K0766.024
K0761.122	B	22,2	36±0,080	45	30	9,6	2,8	200	K0766.036
K0761.130	B	30	45±0,080	55	37	13,6	4	250	K0766.045
K0761.215	C	15,8	24±0,065	31	21	9,5	2,8	100	K0766.024
K0761.222	C	22,2	36±0,080	45	30	9,6	2,8	200	K0766.036
K0761.230	C	30	45±0,080	55	37	13,6	4	250	K0766.045

## Ball transfer units

with plastic housing



**Material:**

Housing and cap POM.  
Bearing ball stainless steel.  
Load ball stainless steel or plastic.

**Version:**

Stainless steel, hardened.

**Sample order:**

K1827.220

**Note:**

The ball transfer units are made of a certified blue plastic which is suitable for use in the foodstuff sector. The ball transfer units are equipped with a gap-free and sealed cap, which prevents the formation of soiled edges.

The dirt holes underneath the housing enable particularly easy cleaning of the ball transfer units.

Conveying speed up to 1.5 m/s.

Foodstuff conform: Food Grade, EU Regulation 1935/2004, EU Regulation 10/2011.

**Temperature range:**

-30 °C to +50 °C (up to +30°C with plastic load balls)

**Drawing reference:**

- 1) Load ball
- 2) Bearing balls

Form A: cap and housing POM, bearing balls stainless steel, load ball POM

Form B: cap and housing POM, bearing balls stainless steel, load ball stainless steel

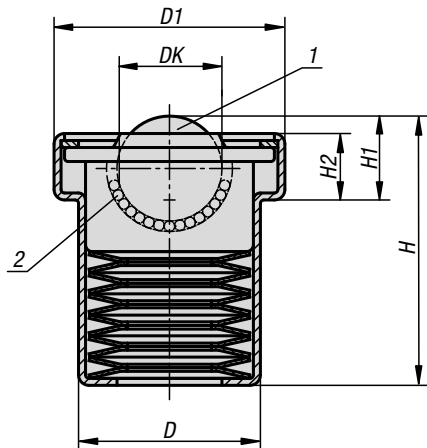
### KIPP Ball transfer units with plastic housing

Order No.	Form	Form-Type	D	D1	DK	H	H1	H2	Load rating C (N)	Kind of fastening
K1827.150	A	ball POM	24	31	15,875	20,5	9,5	4,5	200	press-in
K1827.220	A	ball POM	36	45	22,225	30,5	10	4,5	250	press-in
K1827.300	A	ball POM	45	55	30	37	14	5,5	350	press-in
K1827.440	A	ball POM	62	75	44,5	53,5	19	9	500	press-in

Order No.	Form	Form-Type	D	D1	DK	H	H1	H2	Load rating C (N)	Kind of fastening
K1827.151	B	ball stainless steel	24	31	15,875	20,5	9,5	4,5	200	press-in
K1827.221	B	ball stainless steel	36	45	22,225	30,5	10	4,5	250	press-in
K1827.301	B	ball stainless steel	45	55	30	37	14	5,5	350	press-in
K1827.441	B	ball stainless steel	62	62	44,5	53,5	19	9	500	press-in

## Ball transfer units

undersprung



**Material:**  
Steel electro zinc-plated.

**Sample order:**  
K0762.122

**Note:**  
Undersprung ball transfer units allow for even distribution of loads for goods with uneven surfaces.  
When used in machines such as punch presses and bend form machines the ball rollers spring back up after the forming process and the finished article can be rolled off.

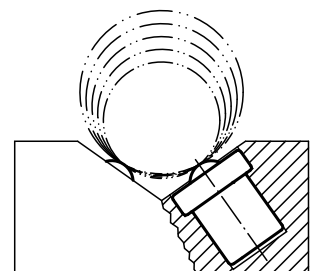
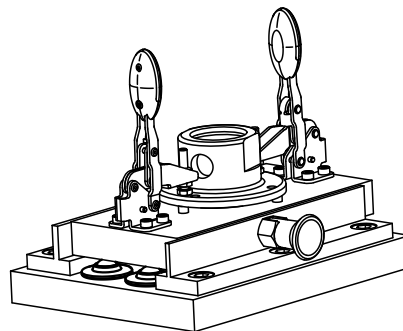
By the "End tension (N)" the ball has completely receded into the housing.

**Drawing reference:**

- 1) load ball
- 2) bearing balls

Form B: cap and housing electro zinc-plated, balls steel

Form C: cap and housing electro zinc-plated, balls stainless steel



### KIPP Ball transfer units, undersprung

Order No.	Form	DK	D	D1	H	H1	H2	Pre-tension (N)	End tension (N)	Tol. for pre and end tension (%)
K0762.122	B	22,2	39	50	51,5	18,5	14	730	860	+25 / -7,5
K0762.130	B	30	48,2	62	70	24,4	17,7	1350	1600	+15 / -7,5
K0762.145	B	45	66,4	85	100,5	35,6	24,2	2280	2770	+15 / -7,5
K0762.222	C	22,2	39	50	51,5	18,5	14	730	860	+25 / -7,5
K0762.230	C	30	48,2	62	70	24,4	17,7	1350	1600	+15 / -7,5
K0762.245	C	45	66,4	85	100,5	35,6	24,2	2280	2770	+15 / -7,5

## Ball transfer units

with solid steel housing



**Material:**  
Steel electro zinc-plated.

**Sample order:**  
K0763.160

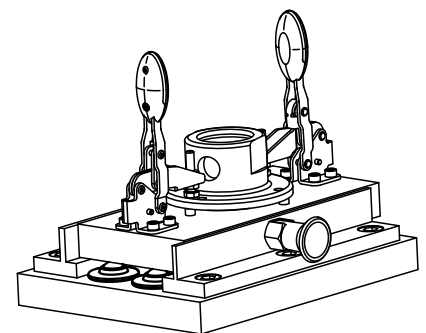
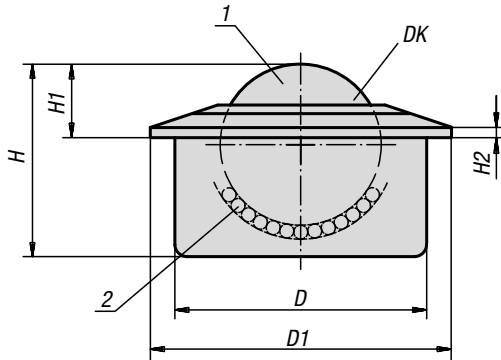
**Note:**  
Ball transfer units with solid housings remain functional even under heavy impact loads and extreme conditions. They have a felt seal to protect against dirt.

**Drawing reference:**

- 1) load ball
- 2) bearing balls

Form B: cap and housing electro zinc-plated, balls steel

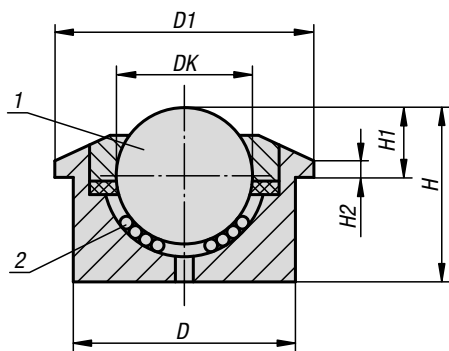
Form C: cap and housing electro zinc-plated, balls stainless steel



### KIPP Ball transfer units with solid steel housing

Order No.	Form	DK	D	D1	H	H1	H2	Load rating C (N)	Suitable tolerance ring
K0763.160	B	57,1	100±0,1	117	77,5	29,5	5	15000	K0766.100
K0763.260	C	57,1	100±0,1	117	77,5	29,5	5	10000	K0766.100

## Ball transfer units heavy duty



**Material:**

Balls stainless steel 1.4021.  
Housing stainless steel 1.4301.

**Version:**

Bright.

**Sample order:**

K1323.322

**Note:**

Solid steel ball transfer units are designed for long life by impact loading. The unit includes dust seals and self-cleaning apertures. All units are supplied with solid steel housings and hardened surfaces.

**Drawing reference:**

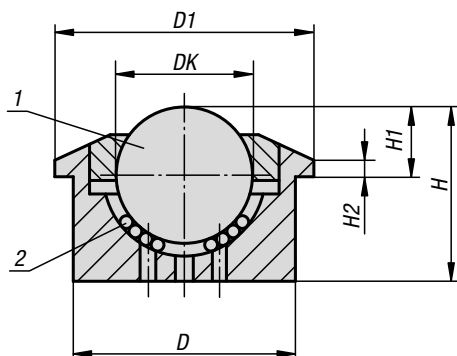
- 1) load ball
- 2) bearing balls

### KIPP Ball transfer units heavy duty

Order No.	DK	D1	D	H	H1	H2	Load rating C (N)
K1323.322	22,2	45	36±0,080	30,5	9,8±0,2	3	1200
K1323.330	30	55	45±0,080	36,8	13,8±0,2	3,4	2000

## Ball transfer units heavy duty

suitable for outdoor use



**Material:**

Balls stainless steel 1.4021.  
Housing stainless steel 1.4301.

**Version:**

Bright.

**Sample order:**

K1325.330

**Note:**

Solid steel ball transfer units are designed for long life by impact loading. All units are supplied with solid steel housings and hardened surfaces. The large number of self-cleaning apertures give the ball transfer units a high self-cleaning efficiency making them suitable for outdoor use.

**Drawing reference:**

- 1) load ball
- 2) bearing balls

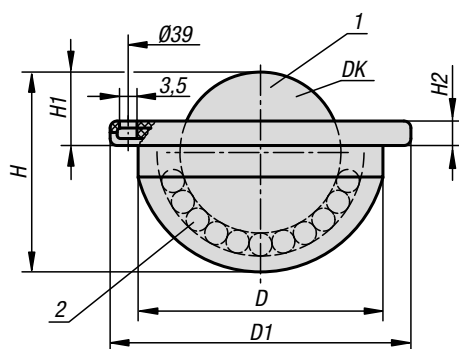


**KIPP Ball transfer units, heavy duty, suitable for outdoor use**

Order No.	DK	D1	D	H	H1	H2	Load rating C (N)
K1325.330	30	55	45±0,080	36,8	13,8±0,2	3,4	2000
K1325.345	44,5	75	62±0,1	53,5	19	3,8	3000

## Ball transfer units

with fastening holes, without housing



**Material:**  
Steel electro zinc-plated.

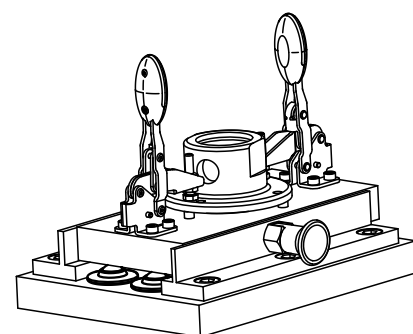
**Sample order:**  
K0764.122

**Note:**  
Ball transfer units with fastening holes for easy installation and removal.

**Drawing reference:**  
1) load ball  
2) bearing balls

Form B: cap and housing electro zinc-plated, balls steel

Form C: cap and housing electro zinc-plated, balls stainless steel



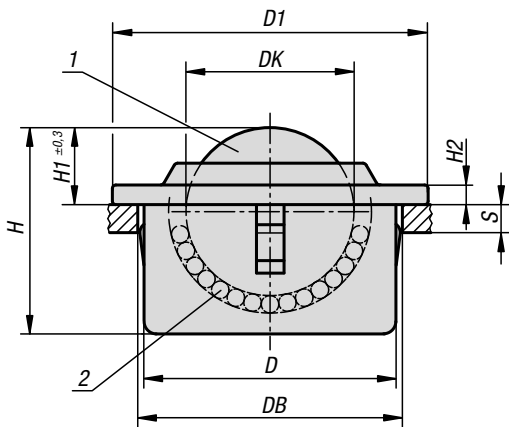
### KIPP Ball transfer units with fastening holes, without housing

Order No.	Form	DK	D	D1	H	H1	H2	No. of fastening holes	Load rating C (N)
K0764.122	B	22	33-0,2	45	27,7	9,8±0,2	5	3	1200
K0764.222	C	22	33-0,2	45	27,7	9,8±0,2	5	3	900



## Ball transfer units

with spring clips



**Material:**

Steel electro zinc-plated.

**Sample order:**

K0765.122

**Note:**

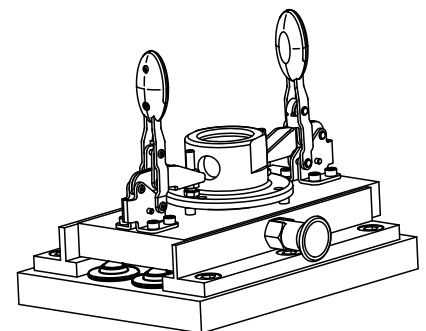
Ball transfer units with spring clips for easy installation and removal from the functional side. The roller is held in place with spring clips, this permits generous tolerances in the receiving hole. They have a felt seal to protect against dirt. S = Minimum nominal thickness of mounting base.

**Drawing reference:**

- 1) load ball
- 2) bearing balls

Form B: cap and housing electro zinc-plated, balls steel

Form C: cap and housing electro zinc-plated, balls stainless steel

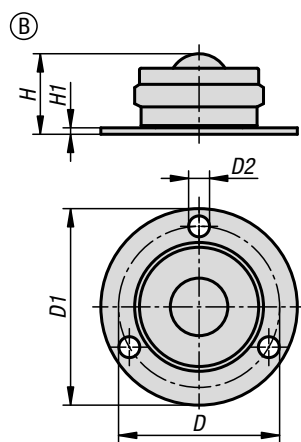
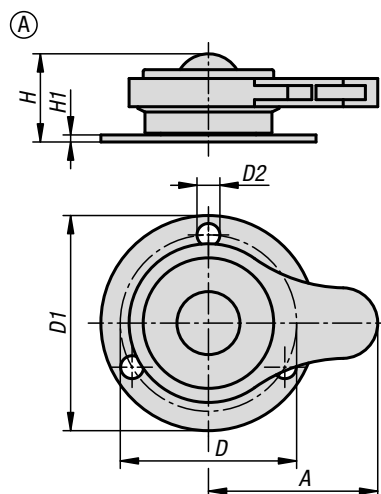


**KIPP Ball transfer units with spring clips**

Order No.	Form	DK	D	D1	Receiver-Ø DB	H	H1	H2	S	Load rating C (N)
K0765.115	B	15,8	24±0,1	31	25 +0,5	21	9,5	2,8	2	600
K0765.122	B	22,2	36±0,1	45	37 +0,5	30	9,8	2,8	3	1600
K0765.130	B	30	45±0,1	55	46 +0,5	37	13,8	4	6	3000
K0765.215	C	15,8	24±0,1	31	25 +0,5	21	9,5	2,8	2	600
K0765.222	C	22,2	36±0,1	45	37 +0,5	30	9,8	2,8	3	1600
K0765.230	C	30	45±0,1	55	46 +0,5	37	13,8	4	6	3000

## Ball transfer units steel

with lockable ball



**Material:**

Housing steel.

Lever polyamide.

Load ball stainless steel 1.4034 or polyamide.

**Version:**

Steel electro zinc-plated.

**Sample order:**

K1734.1219

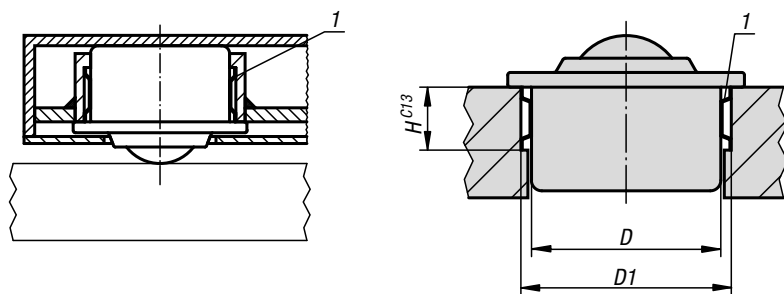
**Note:**

Ball transfer units with lockable balls are suitable for transporting and positioning sensitive goods such as glass or polished aluminium, brass and steel sheets. Ball transfer units can also be used as an alternative to standard rollers, making it easy to transport and position low profiles, e.g. in retail, production or at home.

### KIPP Ball transfer units steel with lockable ball

Order No.	Form	Form-Type	Component material	Ball-Ø	A	D	D1	D2	H	H1	Max load in kg ball on top	Max load in kg ball under
K1734.1119	A	with clamping	ball stainless steel	19	48	50	63	6,5	25	2	120	80
K1734.2119	A	with clamping	ball polyamide	19	48	50	63	6,5	25	2	120	80

Order No.	Form	Form-Type	Component material	Ball-Ø	D	D1	D2	H	H1	Max load in kg ball on top	Max load in kg ball under
K1734.1219	B	without clamping	ball stainless steel	19	50	63	6,5	25	2	120	80
K1734.2219	B	without clamping	ball polyamide	19	50	63	6,5	25	2	120	80



**Material:**  
Spring band steel

**Sample order:**  
K0766.024

**Note:**  
The use of tolerance rings allows for a greater tolerance range between the parts being assembled. The ball transfer units can be fitted quickly and cost effectively.

**Drawing reference:**  
1) tolerance ring

### KIPP Tolerance rings

Order No.	D	Assembly dimensions D1	Assembly dimensions H
K0766.024	24	25,7 +0,2	7
K0766.036	36	37,7 +0,2	12
K0766.045	45	46,7 +0,2	12
K0766.062	62	64,1 +0,3	15
K0766.100	100	102,5 +0,35	19