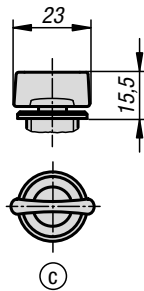
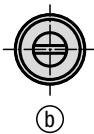
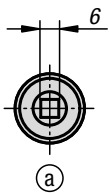
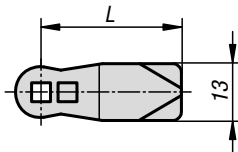
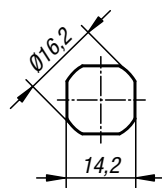
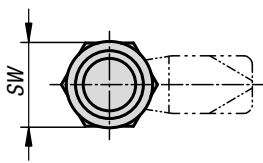
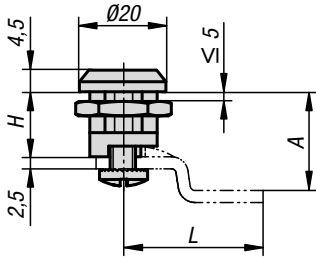


## Quarter-turn locks, edge protection profiles



## Quarter-turn locks

small version



**Material:**

Housing and actuator die-cast zinc.  
Tongue steel.

**Version:**

Housing and actuator trivalent passivated.  
Wing-handle version powder-coated.  
Tongue electro zinc-plated.

**Sample order:**

Quarter turn lock K0518.16131  
Tongue K0519.125X075

**Note:**

Small quarter turn lock with spring-loaded tongue.  
Right or left deployment. The lock can be installed pre-assembled. The fastening nut is an earthing nut with teeth one side.

Please order the desired tongue type separately.  
Every tongue can be combined with every housing.

**Accessories:**

Key K0535

**Drawing reference:**

Actuation:  
a) square 6 mm  
b) slot  
c) wing grip



### KIPP Quarter-turn locks small version

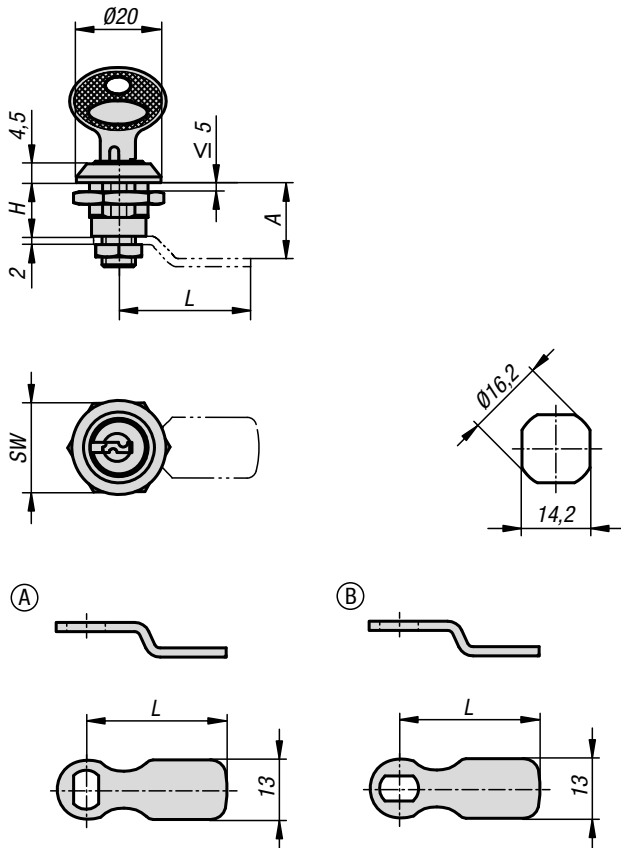
Order No.	Actuation	H	SW
K0518.16131	square 6 mm	13,5	20
K0518.20131	slot	13,5	20
K0518.30132	grip	13,5	20

### KIPP Tongue for quarter-turn locks

Order No.	A	L
K0519.125X075	7,5	25
K0519.125X135	13,5	25
K0519.125X195	19,5	25

## Quarter-turn locks

with cylinder, small version



**Material:**

Housing and actuator die-cast zinc.  
Tongue steel.  
Key nickel silver.

**Version:**

Housing and actuator trivalent passivated.  
Tongue electro zinc-plated.

**Sample order:**

Quarter turn lock with cylinder K0520.131  
Tongue K0521.128X105

**Note:**

Small quarter turn with cylinder, deployable right or left. The lock can be installed pre-assembled. The fastening nut is an earthing nut with teeth one side. These quarter turns with cylinder are supplied with 2 keys. The key can be removed in both positions (open and closed). All cylinders are identical i.e. all locks can be opened with the same key.

Please order the desired tongue type separately.

**On request:**

Non-identical cylinders.

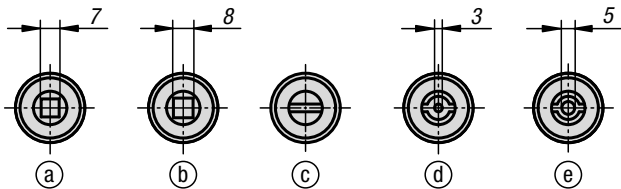
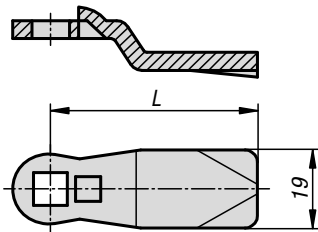
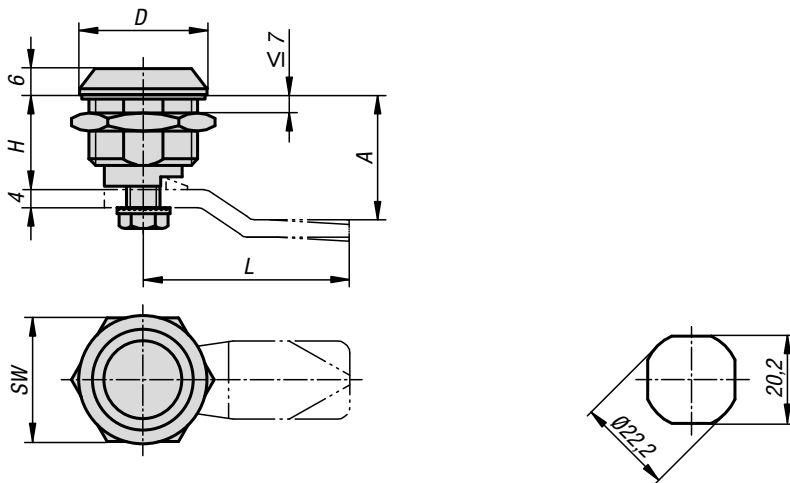
### KIPP Quarter-turn locks with cylinder, small version

Order No.	Actuation	H	SW
K0520.131	Key single-key system	13	20

### KIPP Tongue for quarter-turn locks

Order No.	Form	A	L
K0521.128X105	A	10	28
K0521.124X135	B	13	24
K0521.131X135	B	13	31
K0521.136X135	B	13	36
K0521.130X165	B	16	30
K0521.126X205	B	20	26

## Quarter-turn locks



**Material:**

Housing, actuator and nut, die-cast zinc or PA6 GFR 30 plastic.  
Flat seal rubber.  
Tongue steel.

**Version:**

Housing, actuator and nut trivalent passivated or black.  
Tongue electro zinc-plated.

**Sample order:**

Quarter-turn lock K0522.17181  
Tongue K0523.145X045  
(include tongue gap "A")

**Note:**

Quarter-turn lock with spring-loaded tongue. Right or left deployment. The lock can be installed pre-assembled. The fastening nut is an earthing nut with teeth one side.

Vibration-proof (except plastic version), a catch prevents independent opening. Water and dust tight according to IP65.

Please order the desired tongue type separately. Every tongue can be combined with every housing.

**Accessories:**

Key K0535

**Drawing reference:**

Actuation:  
a) square 7 mm  
b) square 8 mm  
c) slot  
d) double lug 3 mm  
e) double lug 5 mm

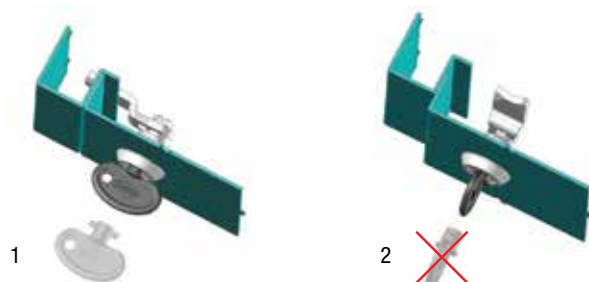
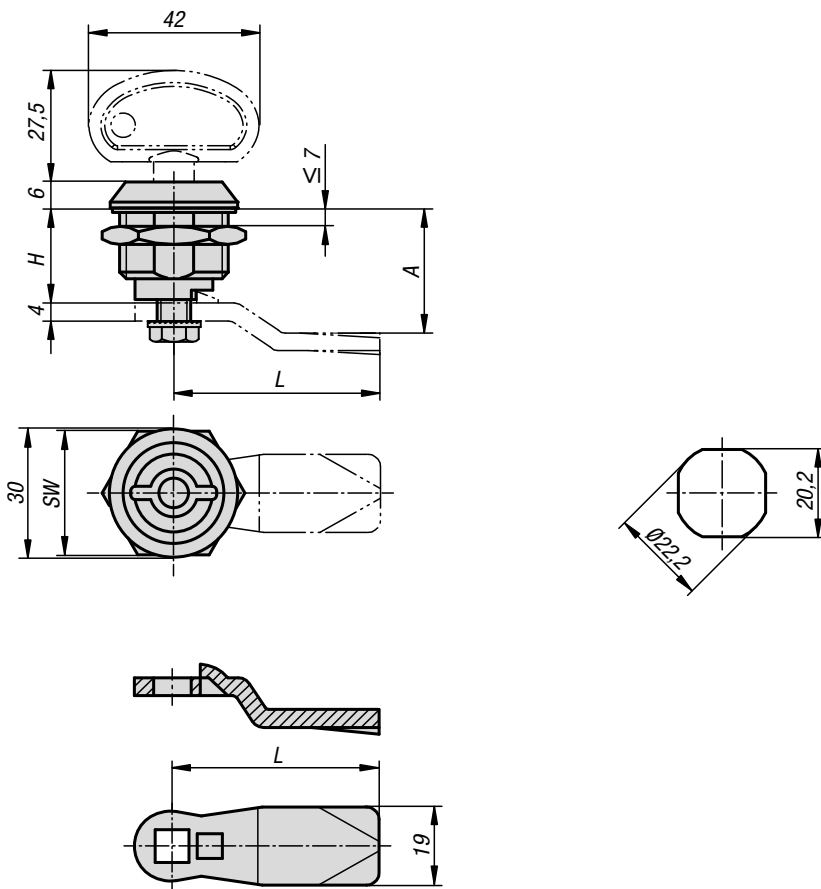
### KIPP Quarter-turn lock

Order No. zinc	Order No. plastic	D	Actuation	SW	H
K0522.17181	-	30	square 7 mm	27	18,5
K0522.18181	-	30	square 8 mm	27	18,5
K0522.20181	K0522.20185	30/28	slot	27	18,5
K0522.43181	K0522.43185	30/28	double lug 3 mm	27	18,5
K0522.45181	K0522.45185	30/28	double lug 5 mm	27	18,5

### KIPP Tongue for quarter-turn lock

Order No.	A	L
K0523.135X	16,5/18,5/20,5/22,5/24,5	35
K0523.145X	4,5/6,5/8,5/10,5/12,5/14,5/16,5/18,5/20,5/21,5/22,5/24,5/26,5/28,5/30,5/32,5/34,5/36,5/38,5/40,5/42,5	45

## Quarter-turn security locks



**Material:**

Housing, actuator, nut and key die-cast zinc.  
Flat seal rubber.  
Tongue steel.

**Version:**

Housing and actuator trivalent passivated or black powder-coated.  
Tongue electro zinc-plated.  
Key trivalent passivated.

**Sample order:**

Security quarter turn lock K0524.181  
Tongue K0523.145X045  
(include tongue gap "A")  
Key K0524.9

**Note:**

Security quarter turn lock with spring-loaded tongue. Right or left deployment. The lock can be installed pre-assembled. The fastening nut is an earthing nut with teeth one side.

Water and dust tight according to IP65.

Please order key separately. Lock can only be opened and closed with a specific key. The key can only be removed in the closed position. With an open lock the key acts as a grip.

Please order the desired tongue type separately. Every tongue can be combined with every housing.

**Drawing reference:**

- 1) Key can be pulled out when locked
- 2) Key cannot be pulled out when open

### KIPP Quarter-turn lock security

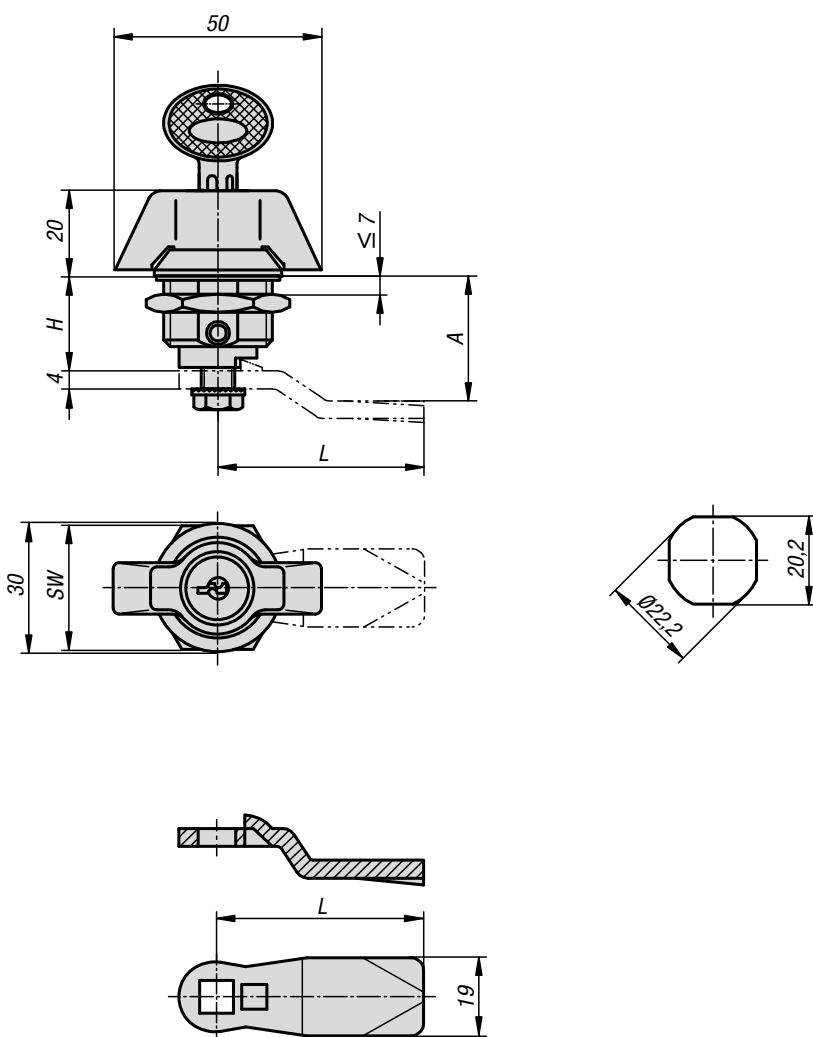
Bestellnummer verchromt	Bestellnummer pulverbeschichtet	Betätigung	H	SW	Bestellnummer Schlüssel
K0524.181	K0524.182	Schlüssel	18,5	27	K0524.9

### KIPP Tongue for quarter-turn lock

Order No.	A	L
K0523.135X	16,5/18,5/20,5/22,5/24,5	35
K0523.145X	4,5/6,5/8,5/10,5/12,5/14,5/16,5/18,5/20,5/21,5/22,5/24,5/26,5/28,5/30,5/32,5/34,5/36,5/38,5/40,5/42,5	45

## Quarter-turn locks

with wing grip



**Material:**

Housing and nut die-cast zinc.  
Grip plastic PA6 GF 30.  
Flat seal rubber.  
Tongue steel.

**Version:**

Housing and nut trivalent passivated.  
Grip black.  
Tongue electro zinc-plated.

**Sample order:**

Quarter-turn lock K0525.1183  
Tongue K0523.145X045 (include tongue gap "A")

**Note:**

Quarter-turn lock with wing grip. Right or left deployment. The lock can be installed pre-assembled. The fastening nut is an earthing nut with teeth one side.

Water and dust tight according to IP65.

The cylinder locks are supplied with 2 keys. The key can be removed in both positions (open and closed). All cylinders are identical i.e. all locks can be opened with the same key (Euro key 5333).

Please order the desired tongue type separately. Every tongue can be combined with every housing.

### KIPP Quarter-turn lock with wing grip

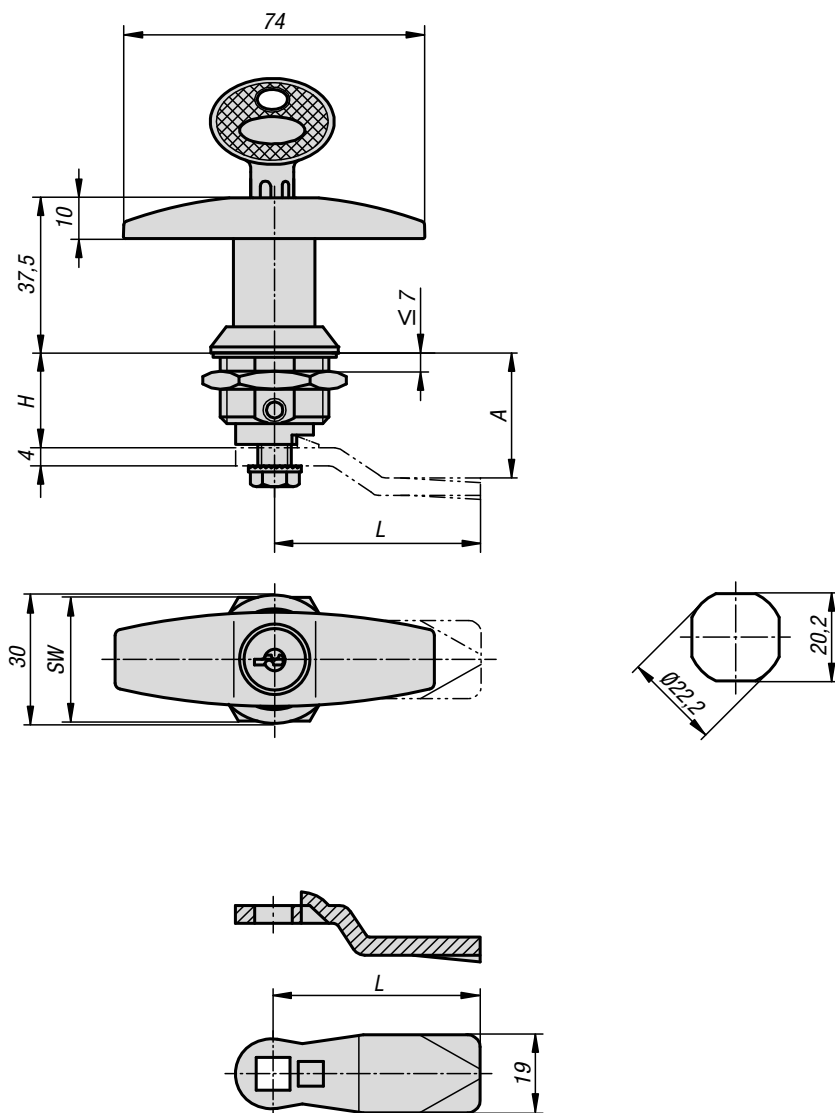
Order No.	Actuation	H	SW
K0525.1183	grip	18,5	27
K0525.2183	lockable grip	18,5	27

### KIPP Tongue for quarter-turn locks

Order No.	A	L
K0523.135X	16,5/18,5/20,5/22,5/24,5	35
K0523.145X	4,5/6,5/8,5/10,5/12,5/14,5/16,5/18,5/20,5/21,5/22,5/24,5/26,5/28,5/30,5/32,5/34,5/36,5/38,5/40,5/42,5	45

## Quarter-turn locks

with T-grip



**Material:**

Housing and nut die-cast zinc.  
T-grip plastic PA6 GF 30.  
Flat seal rubber.  
Tongue steel.

**Version:**

Housing and nut trivalent passivated.  
T-grip black.  
Tongue electro zinc-plated.

**Sample order:**

Quarter-turn lock K0526.1183  
Tongue K0523.145X045  
(include tongue gap "A")

**Note:**

Quarter-turn lock with T-grip. Right or left deployment.  
The lock can be installed pre-assembled. The fastening nut is an earthing nut with teeth one side.

Water and dust tight according to IP65.

The cylinder locks are supplied with 2 keys. The key can be removed in both positions (open and closed). All cylinders are identical i.e. all locks can be opened with the same key (Euro key 5333).

Please order the desired tongue type separately. Every tongue can be combined with every housing.

### KIPP Quarter-turn lock with T-grip

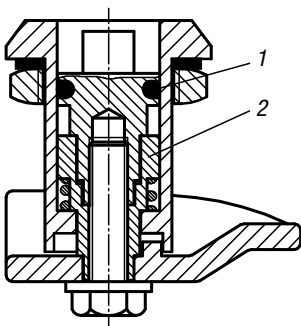
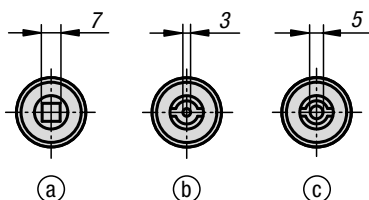
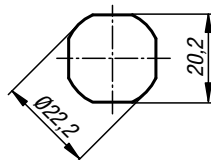
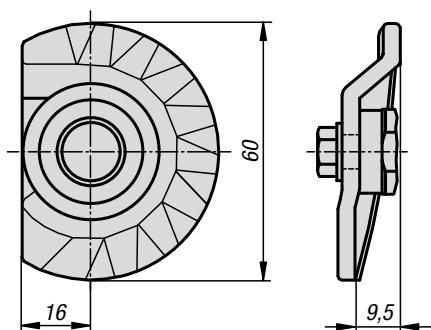
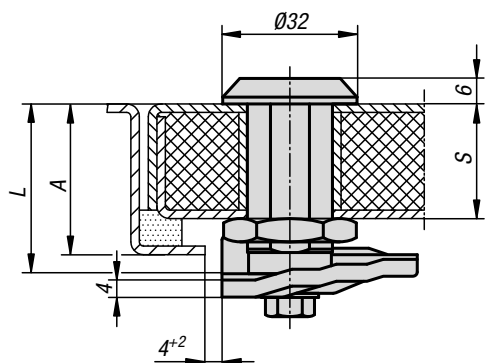
Order No.	Actuation	H	SW
K0526.1183	T-Grip	18,5	27
K0526.2183	lockable T-grip	18,5	27

### KIPP Tongue for quarter-turn locks

Order No.	A	L
K0523.135X	16,5/18,5/20,5/22,5/24,5	35
K0523.145X	4,5/6,5/8,5/10,5/12,5/14,5/16,5/18,5/20,5/21,5/22,5/24,5/26,5/28,5/30,5/32,5/34,5/36,5/38,5/40,5/42,5	45

## Compression latches

with stepped cam



**Material:**

Housing, actuator, nut and cam die-cast zinc.  
Flat seal rubber.

**Version:**

Housing, actuator, nut and cam, chrome-plated.

**Sample order:**

Compression latch K0527.17301

**Note:**

Compression latches with stepped cam are primarily used for doors and housings that require a high pressure on the seal. Right or left deployment. The locking direction is always clockwise. By turning the actuator to the right the door can be pulled incrementally into the frame by up to 9.5 mm at a maximum rotation of 270°.

The fastening nut is an earthing nut with teeth one side.

Water and dust tight according to IP65.

**Accessories:**

Key K0535

**Drawing reference:**

Actuation:

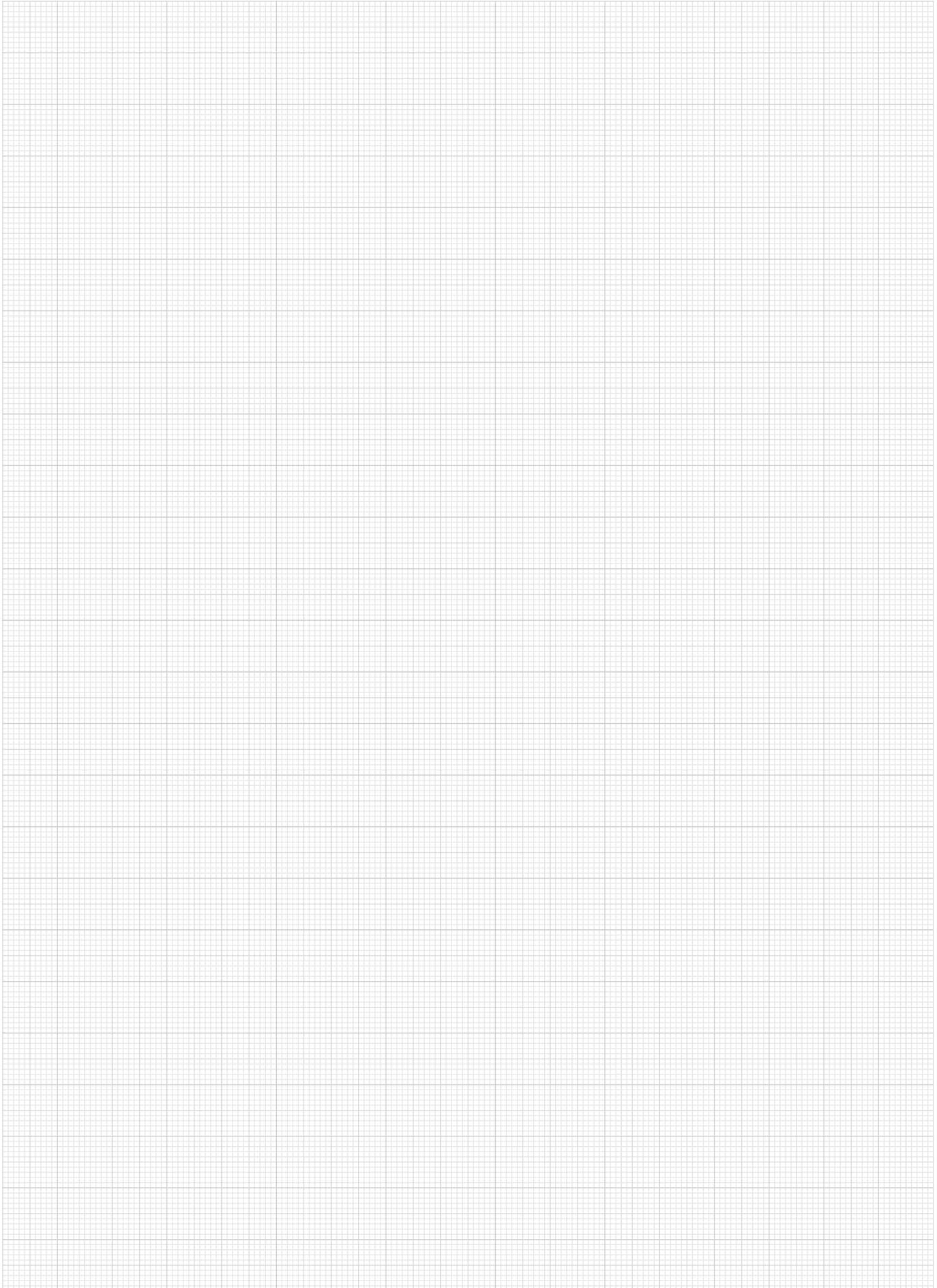
- a) square 7 mm
- b) double lug 3 mm
- c) double lug 5 mm

- 1) O-ring
- 2) Adapter

### KIPP Compression latches with stepped cam

Order No. square 7 mm	Order No. double lug 3 mm	Order No. double lug 5 mm	A	L	S max.
K0527.17301	K0527.43301	K0527.45301	30 -9,5	30	20
K0527.17401	K0527.43401	K0527.45401	40 -9,5	40	30
K0527.17501	K0527.43501	K0527.45501	50 -9,5	50	40
K0527.17601	K0527.43601	K0527.45601	60 -9,5	60	50





## Quarter-turn locks

long version



**Material:**

Housing and actuator die-cast zinc.  
Tongue steel.

**Version:**

Housing and actuator trivalent passivated.  
Tongue electro zinc-plated.

**Sample order:**

Quarter turn lock K1113.18301  
Tongue K1114.145X040

**Note:**

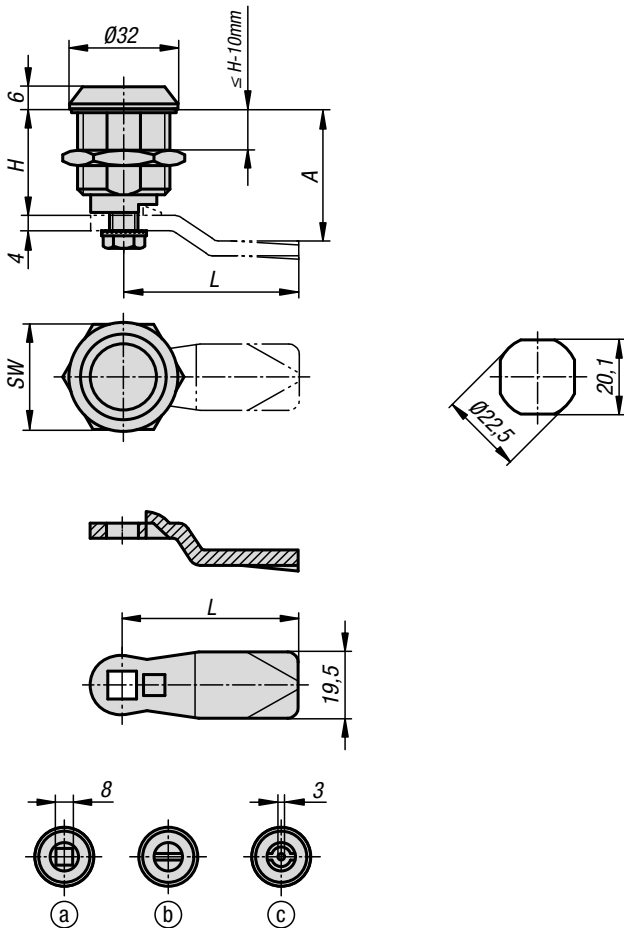
Rating IP65. This is achieved using an additional O-ring underneath the actuator and a flat seal attached to the housing. The quarter-turn lock can be installed pre-assembled. Please order the required tongue separately. Every tongue can be combined with this housing.

**Accessories:**

Key K0535

**Drawing reference:**

- Actuation:
- a) square 8 mm
  - b) slot
  - c) double lug 3 mm



# Quarter-turn locks

long version



## KIPP Quarter-turn locks long version

Order No.	H	Actuation	SW
K1113.18301	30	square 8 mm	27
K1113.40301	30	double lug 3 mm	27
K1113.20301	30	slot	27
K1113.18401	40	square 8 mm	27
K1113.40401	40	double lug 3 mm	27
K1113.20401	40	slot	27
K1113.18501	50	square 8 mm	27
K1113.40501	50	double lug 3 mm	27
K1113.20501	50	slot	27

## KIPP Tongue for quarter-turn locks

Order No.	A for housing length H=30	A for housing length H=40	A for housing length H=50	L
K1114.145X040	16	26	36	45
K1114.145X060	18	28	38	45
K1114.145X080	20	30	40	45
K1114.145X100	22	32	42	45
K1114.145X120	24	34	44	45
K1114.145X140	26	36	46	45
K1114.145X160	28	38	48	45
K1114.145X180	30	40	50	45
K1114.145X200	32	42	52	45
K1114.145X220	34	44	54	45
K1114.145X240	36	46	56	45
K1114.145X260	38	48	58	45
K1114.145X280	40	50	60	45
K1114.145X300	42	52	62	45
K1114.145X320	44	54	64	45
K1114.145X340	46	56	66	45
K1114.145X360	48	58	68	45
K1114.145X380	50	60	70	45
K1114.145X400	52	62	72	45
K1114.145X420	54	64	74	45

## Quarter-turn locks, stainless steel



**Material:**

Quarter-turn lock 1.4305 stainless steel.  
Tongue 1.4301 stainless steel.

**Version:**

Bright.

**Sample order:**

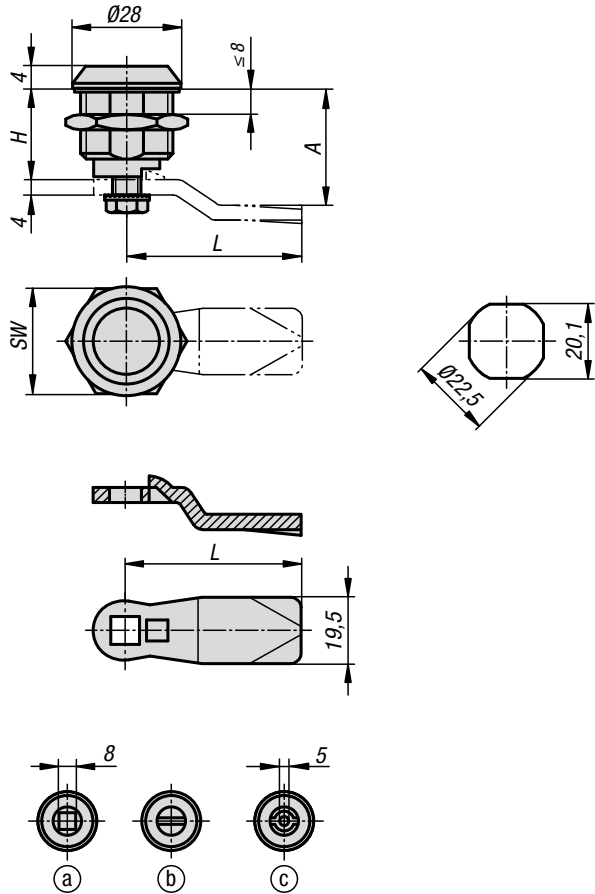
Quarter turn lock K1106.40186  
Tongue K1114.245X180

**Note:**

Rating IP65. This is achieved using an additional O-ring underneath the actuator and a PUR seal foamed onto the housing. The quarter-turn lock can be installed pre-assembled. Please order the required tongue separately. Every tongue can be combined with this housing.

**Drawing reference:**

- Actuation:  
a) square 8 mm  
b) slot  
c) double lug 5 mm



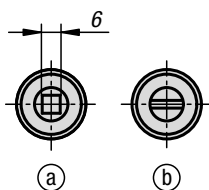
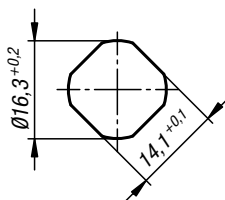
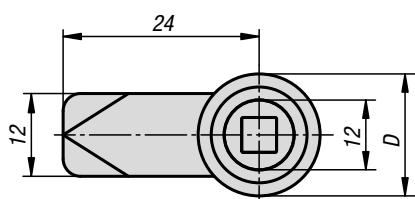
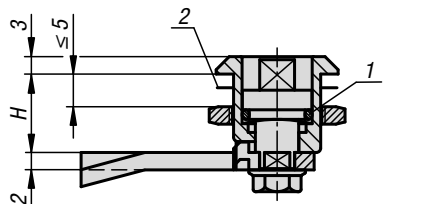
### KIPP Quarter-turn locks, stainless steel

Order No.	Actuation	H	SW
K1106.40186	double lug 5 mm	18	27
K1106.20186	slot	18	27
K1106.18186	square 8 mm	18	27

### KIPP Tongue for quarter-turn locks

Order No.	A for housing length H=18	L
K1114.245X180	18	45
K1114.245X200	20	45
K1114.245X240	24	45
K1114.245X280	28	45
K1114.245X320	32	45
K1114.245X340	34	45
K1114.245X360	36	45
K1114.245X380	38	45
K1114.245X400	40	45
K1114.245X420	42	45

## Quarter-turn locks, stainless steel



**Material:**

Quarter-turn lock 1.4401 stainless steel.  
Tongue 1.4301 stainless steel.

**Version:**

Bright.

**Sample order:**

K1360.1613

**Note:**

The lock can be installed pre-assembled and has a 90° closing angle. It is protected against water and dust according to IP65 of EN 60529.

**Accessories:**

Key K0535

**Drawing reference:**

Actuation:

- a) square 6 mm
- b) slot

1) O-ring

2) flat seal

### KIPP Quarter-turn locks, stainless steel

Order No.	Actuation	D	H
K1360.1613	square 6 mm	20	13,5
K1360.2013	slot	20	13,5

## Quarter-turn locks, stainless steel

small version



**Material:**

Housing 1.4404 stainless steel.  
Actuation and fastening nut 1.4404 stainless steel.  
Tongue 1.4301 stainless steel.

**Version:**

Bright.

**Sample order:**

Quarter turn lock K1351.1718  
Tongue K1340.45060

**Note:**

The quarter turn lock can be installed pre-assembled.  
For right or left use. Water and dust protected acc. to IP65 from DIN EN 60529.

Please order required tongue version separately. Every tongue can be combined with every housing.

**Accessories:**

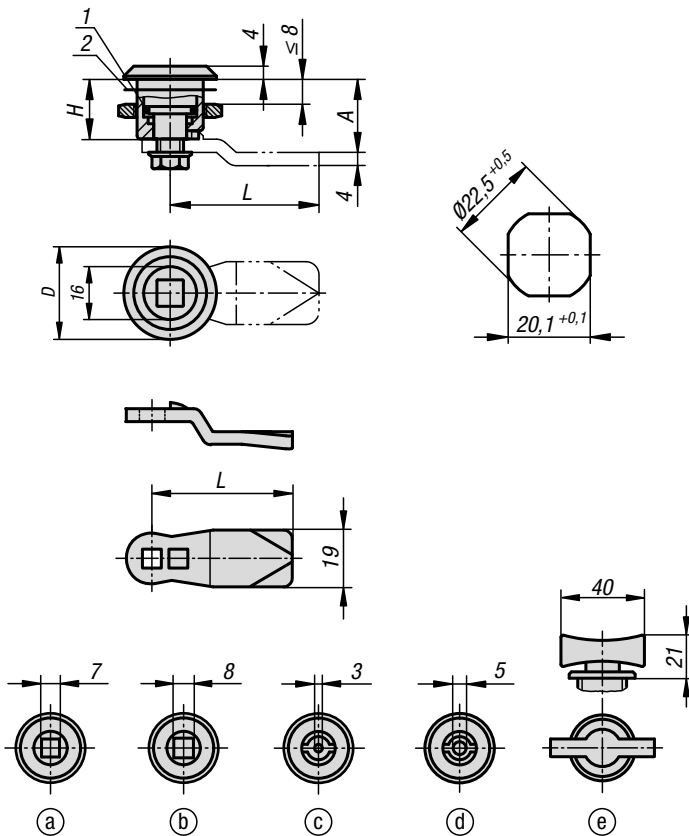
Key K0535

**Drawing reference:**

Actuation:

- a) square 7 mm
- b) square 8 mm
- c) double lug 3 mm
- d) double lug 5 mm
- e) wing grip

- 1) O-ring
- 2) flat seal



# Quarter-turn locks, stainless steel

small version



## KIPP Quarter-turn locks, stainless steel, small version

Order No.	Actuation	D	H
K1351.1718	square 7 mm	28	18
K1351.1818	square 8 mm	28	18
K1351.4318	double lug 3 mm	28	18
K1351.4518	double lug 5 mm	28	18
K1351.0018	grip	28	18

## KIPP Tongue for quarter-turn locks

Order No.	A	L
K1340.45060	6	45
K1340.45080	8	45
K1340.45100	10	45
K1340.45140	14	45
K1340.45160	16	45
K1340.45180	18	45
K1340.45200	20	45
K1340.45220	22	45
K1340.45240	24	45
K1340.45260	26	45
K1340.45280	28	45
K1340.45320	32	45
K1340.45500	50	45

## Quarter-turn locks, stainless steel

long version



**Material:**

Housing 1.4305 stainless steel.  
Actuation and fastening nut 1.4404 stainless steel.  
Tongue 1.4301 stainless steel.

**Version:**

Bright.

**Sample order:**

Quarter turn lock K1352.1730  
Tongue K1340.45060

**Note:**

The quarter turn lock can be installed pre-assembled.  
For right or left use. Water and dust protected acc. to IP65 from DIN EN 60529.

Please order required tongue version separately. Every tongue can be combined with every housing.

**Accessories:**

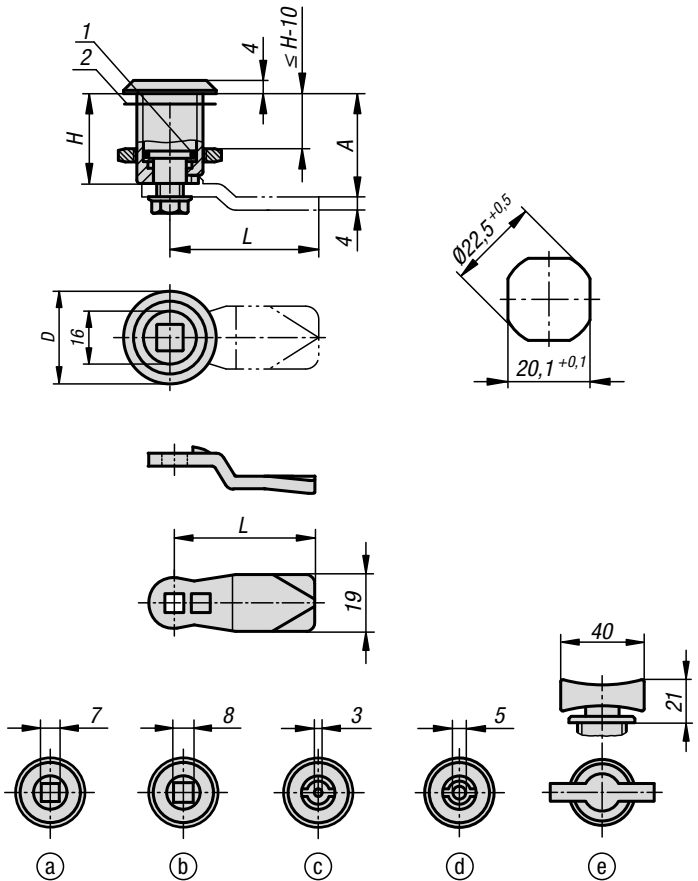
Key K0535

**Drawing reference:**

Actuation:

- a) square 7 mm
- b) square 8 mm
- c) double lug 3 mm
- d) double lug 5 mm
- e) wing grip

- 1) O-ring
- 2) flat seal





# Quarter-turn locks, stainless steel

long version



## KIPP Quarter-turn locks, stainless steel, long version

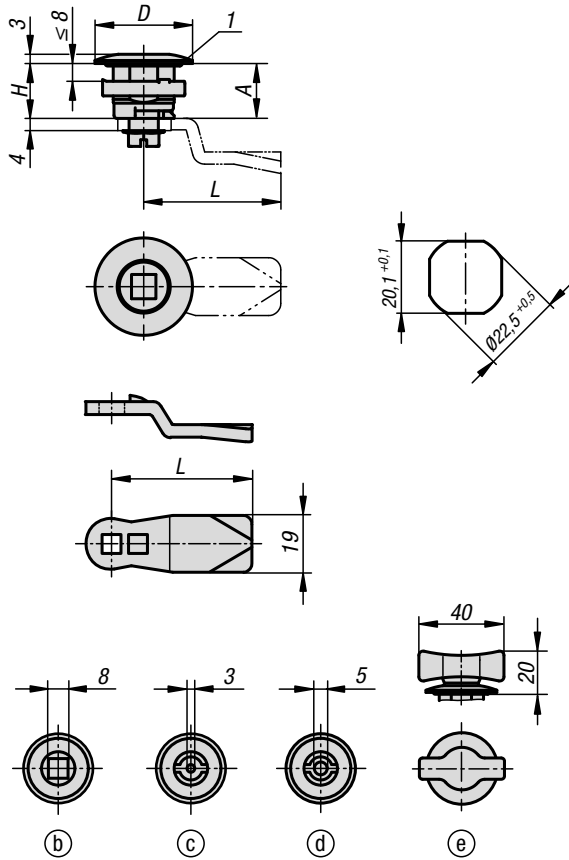
Order No.	Actuation	D	H
K1352.1730	square 7 mm	28	30
K1352.1736	square 7 mm	28	36
K1352.1740	square 7 mm	28	40
K1352.1750	square 7 mm	28	50
K1352.1760	square 7 mm	28	60
K1352.1830	square 8 mm	28	30
K1352.1836	square 8 mm	28	36
K1352.1840	square 8 mm	28	40
K1352.1850	square 8 mm	28	50
K1352.1860	square 8 mm	28	60
K1352.4330	double lug 3 mm	28	30
K1352.4336	double lug 3 mm	28	36
K1352.4340	double lug 3 mm	28	40
K1352.4350	double lug 3 mm	28	50
K1352.4360	double lug 3 mm	28	60
K1352.4530	double lug 5 mm	28	30
K1352.4536	double lug 5 mm	28	36
K1352.4540	double lug 5 mm	28	40
K1352.4550	double lug 5 mm	28	50
K1352.4560	double lug 5 mm	28	60
K1352.0030	grip	28	30
K1352.0036	grip	28	36
K1352.0040	grip	28	40
K1352.0050	grip	28	50
K1352.0060	grip	28	60

## KIPP Tongue for quarter-turn locks

Order No.	A for housing length H=30	A for housing length H=36	A for housing length H=40	A for housing length H=50	A for housing length H=60	L
K1340.45060	18	24	28	38	48	45
K1340.45080	20	26	30	40	50	45
K1340.45100	22	28	32	42	52	45
K1340.45140	26	32	36	46	56	45
K1340.45160	28	34	38	48	58	45
K1340.45180	30	36	40	50	60	45
K1340.45200	32	38	42	52	62	45
K1340.45220	34	40	44	54	64	45
K1340.45240	36	42	46	56	66	45
K1340.45260	38	44	48	58	68	45
K1340.45280	40	46	50	60	70	45
K1340.45320	44	50	54	64	74	45
K1340.45500	62	68	72	82	92	45

## Quarter-turn locks, stainless steel

small version



**Material:**  
 Housing and fastening nut 1.4404 stainless steel.  
 Actuator 1.4401.  
 O-ring NBR.  
 Tongue 1.4301 stainless steel.

**Version:**  
 Bright.

**Sample order:**  
 Quarter turn lock K1339.1718  
 Tongue K1340.45060

**Note:**  
 The quarter turn lock can be installed pre-assembled.  
 For right or left use.

Water and dust protected acc. to IP65 to DIN EN 60529.

Please order required tongue version separately. Every tongue can be combined with every housing.

**Accessories:**  
 Key K0535

**Drawing reference:**  
 Actuation:  
 a) square 7 mm  
 b) square 8 mm  
 c) double lug 3 mm  
 d) double lug 5 mm  
 e) wing grip

1) O-ring

### KIPP Quarter-turn locks, stainless steel, small version

Order No.	Actuation	D	H
K1339.1718	square 7 mm	32	18
K1339.1818	square 8 mm	32	18
K1339.4318	double lug 3 mm	32	18
K1339.4518	double lug 5 mm	32	18
K1339.0018	grip	32	18

### KIPP Tongue for quarter-turn locks

Order No.	A	L
K1340.45060	6	45
K1340.45080	8	45
K1340.45100	10	45
K1340.45140	14	45
K1340.45160	16	45
K1340.45180	18	45
K1340.45200	20	45
K1340.45220	22	45
K1340.45240	24	45
K1340.45260	26	45
K1340.45280	28	45
K1340.45320	32	45
K1340.45500	50	45

## Quarter-turn locks lockable, stainless steel



**Material:**

Quarter-turn lock 1.4401 stainless steel.  
Tongue 1.4301 stainless steel.

**Version:**

Bright.

**Sample order:**

Quarter turn lock K1355.18  
Tongue K1340.45060

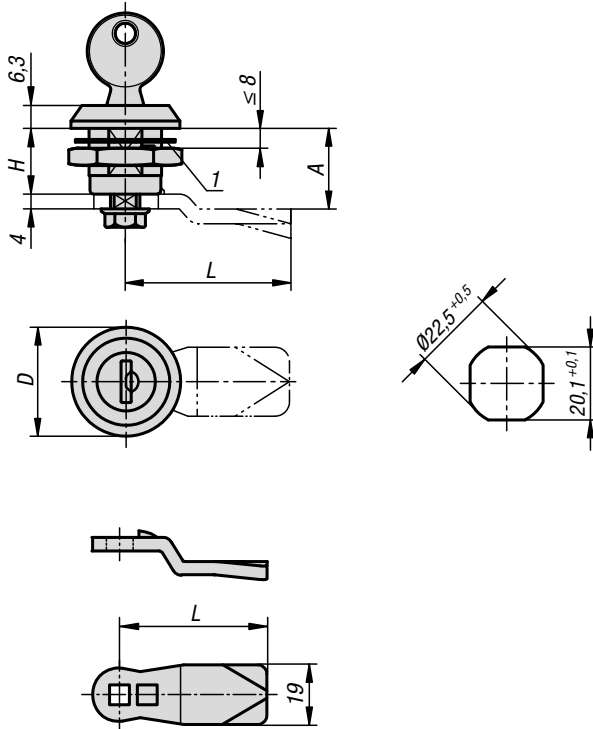
**Note:**

The quarter turn lock can be installed pre-assembled. Housing with fastening nut and plate cylinder, same key locking, incl. 2 keys (lock type 1333).

Please order required tongue version separately. Every tongue can be combined with every housing.

**Drawing reference:**

1) flat seal



### KIPP Quarter-turn lock, lockable, stainless steel

Order No.	Actuation	D	H
K1355.18	key single-key system	30	18

### KIPP Tongue for quarter-turn lock

Order No.	A	L
K1340.45060	6	45
K1340.45080	8	45
K1340.45100	10	45
K1340.45140	14	45
K1340.45160	16	45
K1340.45180	18	45
K1340.45200	20	45
K1340.45220	22	45
K1340.45240	24	45
K1340.45260	26	45
K1340.45280	28	45
K1340.45320	32	45
K1340.45500	50	45

## Quarter-turn lock, stainless steel

with wing grip



**Material:**

Quarter-turn lock 1.4401 stainless steel.  
Tongue 1.4301 stainless steel.

**Version:**

Bright.  
Grip polished.

**Sample order:**

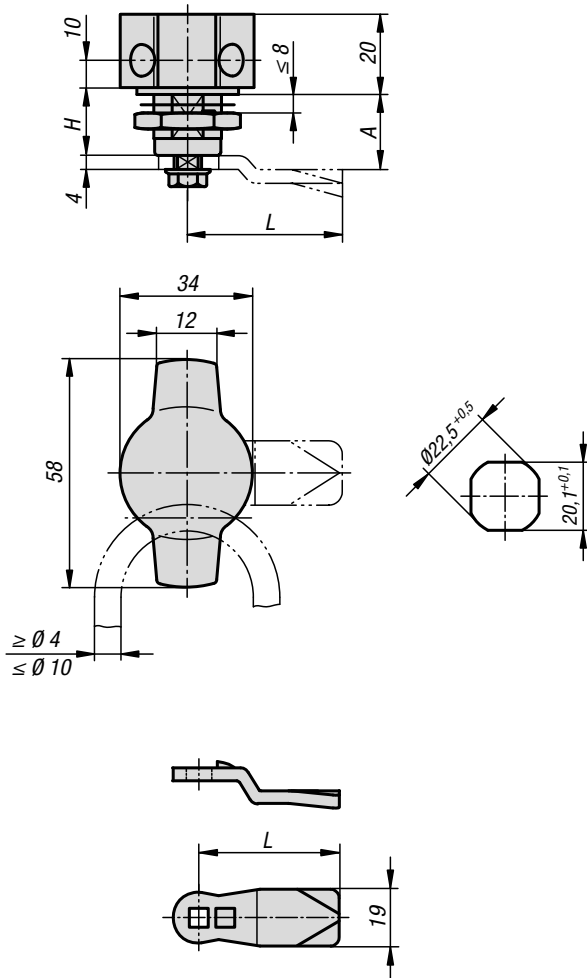
Quarter turn lock K1358.18  
Tongue K1340.45060

**Note:**

Quarter-turn lock with wing grip. Right or left deployment. The lock can be installed pre-assembled.

Water and dust tight according to IP65.

Please order the desired tongue type separately. Every tongue can be combined with every housing.



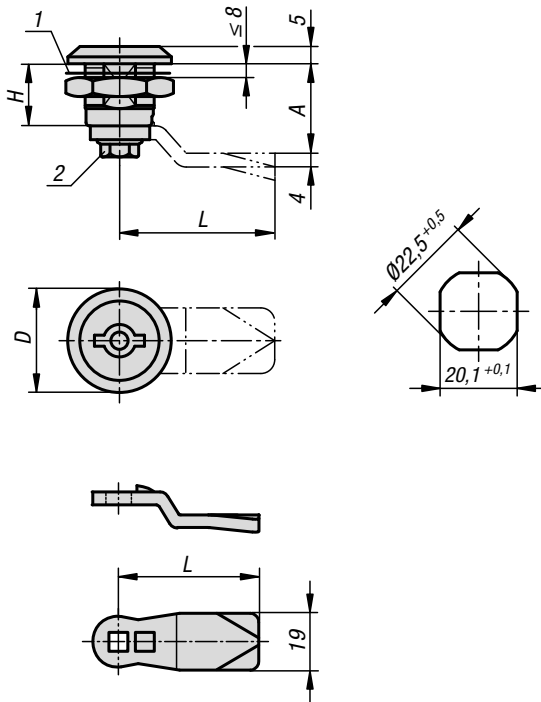
### KIPP Quarter-turn lock, stainless steel with wing grip

Order No.	Actuation	H
K1358.18	lockable grip	18

### KIPP Tongue for quarter-turn lock

Order No.	A	L
K1340.45060	6	45
K1340.45080	8	45
K1340.45100	10	45
K1340.45140	14	45
K1340.45160	16	45
K1340.45180	18	45
K1340.45200	20	45
K1340.45220	22	45
K1340.45240	24	45
K1340.45260	26	45
K1340.45280	28	45
K1340.45320	32	45
K1340.45500	50	45

## Quarter-turn security locks, stainless steel



**Material:**

Quarter-turn lock 1.4401 stainless steel.  
Tongue 1.4301 stainless steel.

**Version:**

Bright.

**Sample order:**

Quarter turn lock K1350.14518  
Tongue K1340.45060

**Note:**

The secure quarter turn lock is shock and vibration-resistant acc. to DIN 43668 even under high pressing force due to a built-in restrictor element. Actuation without a suitable key is not possible. The key can be removed only in the locked position. quarter turn lock, pre-assembled. Right version = closes anti-clockwise. Left version = closes clockwise. Water and dust protected acc. to IP65 from DIN EN 60529.

Please order required tongue version separately. Every tongue can be combined with every housing.

**Accessories:**

Key K0535

**Drawing reference:**

- 1) flat seal
- 2) self-locking screw

### KIPP Quarter-turn security locks, stainless steel

Order No.	Version 1	Actuation	D	H
K1350.14518	right	double lug 5 mm	30	18
K1350.24518	left	double lug 5 mm	30	18

### KIPP Tongue for quarter-turn locks

Order No.	A	L
K1340.45060	6	45
K1340.45080	8	45
K1340.45100	10	45
K1340.45140	14	45
K1340.45160	16	45
K1340.45180	18	45
K1340.45200	20	45
K1340.45220	22	45
K1340.45240	24	45
K1340.45260	26	45
K1340.45280	28	45
K1340.45320	32	45
K1340.45500	50	45

## Quarter-turn locks, stainless steel, lockable



**Material:**

Quarter-turn lock 1.4401 stainless steel.  
Tongue 1.4301 stainless steel.

**Version:**

Bright.

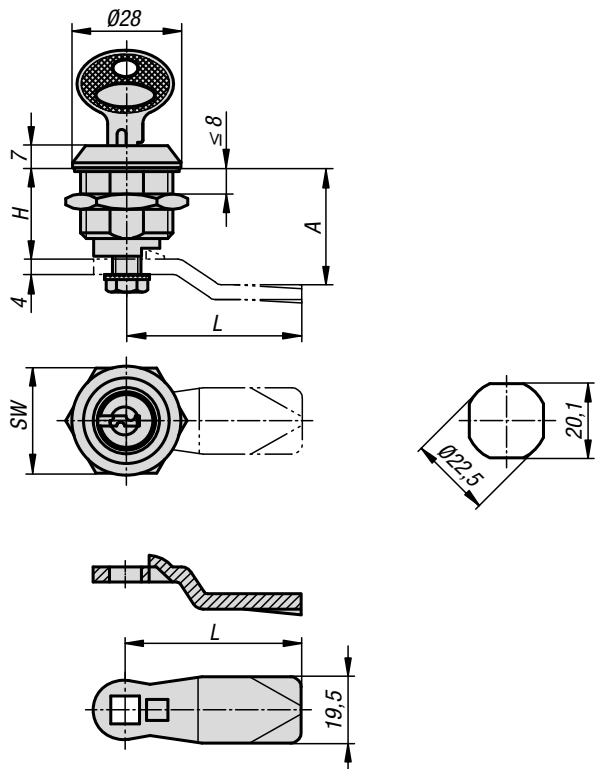
**Sample order:**

Quarter turn lock K1107.186  
Tongue K1114.245X180

**Note:**

Lockable quarter-turn lock for right or left mounting with 90° closing. The quarter-turn lock can be installed pre-assembled. This lockable quarter-turn lock is supplied with 2 keys. The key can be removed in both the closed and open position. The cylinder locks have a single-key system i.e. the same key works in all locks (lock type 1333).

Please order required tongue separately. Every tongue can be combined with this housing.



### KIPP Quarter-turn lock, stainless steel, lockable

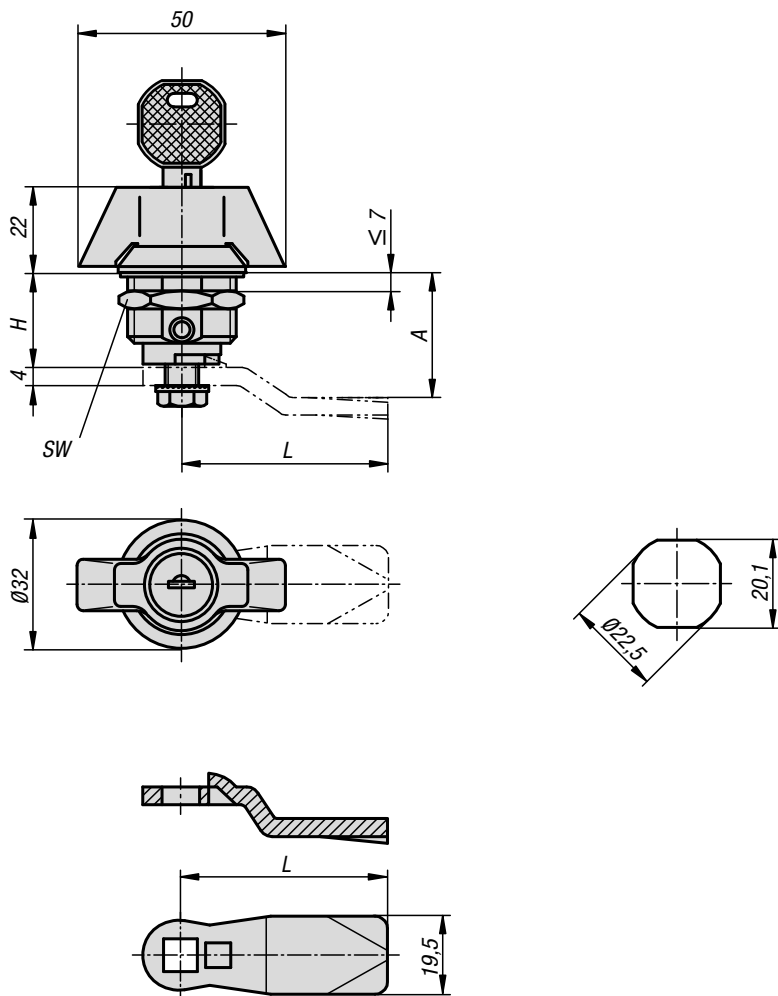
Order No.	Actuation	H	SW
K1107.186	key single-key system	18	27

### KIPP Tongue for quarter-turn lock

Order No.	A for housing length H=18	L
K1114.245X180	18	45
K1114.245X200	20	45
K1114.245X240	24	45
K1114.245X280	28	45
K1114.245X320	32	45
K1114.245X340	34	45
K1114.245X360	36	45
K1114.245X380	38	45
K1114.245X400	40	45
K1114.245X420	42	45

## Quarter-turn locks, stainless steel

with wing grip



**Material:**

Quarter-turn lock 1.4401 stainless steel.  
Tongue 1.4301 stainless steel.

**Version:**

Bright.

**Sample order:**

Quarter turn lock K1108.1186  
Tongue K1114.245X180

**Note:**

Quarter-turn lock with wing grip. For right or left mounting with 90° closing. The quarter-turn lock can be installed pre-assembled. Supplied with standard stainless-steel nut. The lockable quarter-turn lock is supplied with 2 keys. The key can be removed in both the closed and open position. The cylinder locks have a single-key system i.e. the same key works in all locks (lock type 1333).

Order the desired tongue separately. Every tongue can be combined with this housing.

### KIPP Quarter-turn locks, stainless steel with wing grip

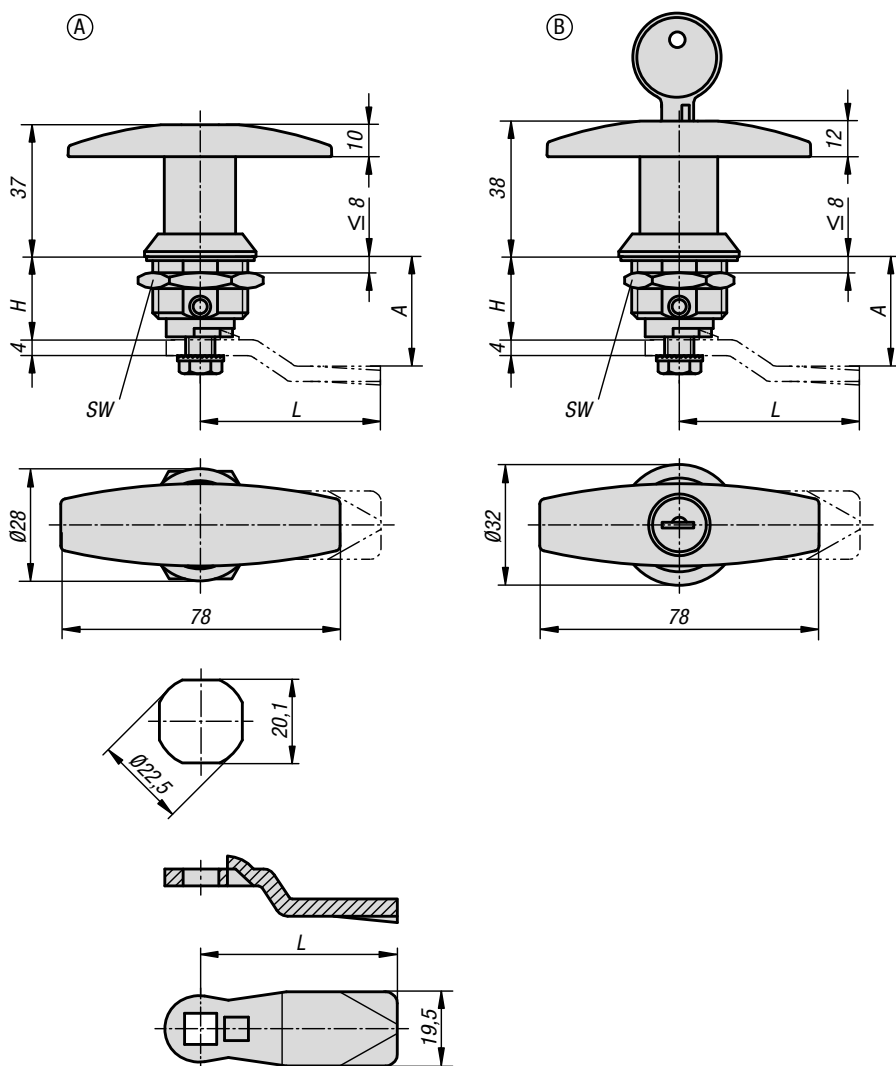
Order No.	Actuation	H	SW
K1108.1186	grip	18	27
K1108.2186	lockable grip	18	27

### KIPP Tongue for quarter-turn locks

Order No.	A for housing length H=18	L
K1114.245X180	18	45
K1114.245X200	20	45
K1114.245X240	24	45
K1114.245X280	28	45
K1114.245X320	32	45
K1114.245X340	34	45
K1114.245X360	36	45
K1114.245X380	38	45
K1114.245X400	40	45
K1114.245X420	42	45

## Quarter-turn locks, stainless steel

with T-grip



**Material:**

Grip and tongue 1.4301 stainless steel.  
Housing and nut 1.4305 stainless steel.

**Version:**

Bright.

**Sample order:**

Quarter turn lock K1109.1186  
Tongue K1114.245X180

**Note:**

Quarter-turn lock with T-grip. For right or left mounting with 90° closing. The quarter-turn lock can be installed pre-assembled. Supplied with standard stainless-steel nut. The lockable quarter-turn lock is supplied with 2 keys. The key can be removed in both the closed and open position. The cylinder locks have a single-key system i.e. the same key works in all locks (lock type 1333).

Rating IP65.

Order the desired tongue separately. Every tongue can be combined with this housing.

### KIPP Quarter-turn locks, stainless steel with T-grip

Order No.	Form	Actuation	H	SW
K1109.1186	A	T-Grip	18	27
K1109.2186	B	lockable T-grip	18	27

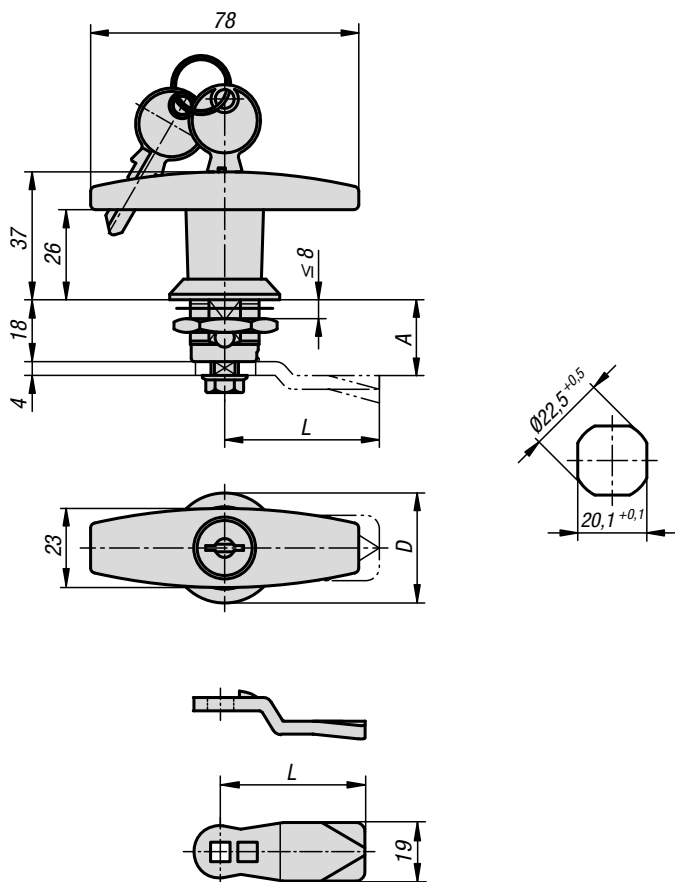
### KIPP Tongue for quarter-turn lock

Order No.	A for housing length H=18	L
K1114.245X180	18	45
K1114.245X200	20	45
K1114.245X240	24	45
K1114.245X280	28	45
K1114.245X320	32	45
K1114.245X340	34	45
K1114.245X360	36	45
K1114.245X380	38	45
K1114.245X400	40	45
K1114.245X420	42	45



## Quarter-turn locks, stainless steel

with T-grip



**Material:**

Quarter-turn lock 1.4401 stainless steel.  
Tongue 1.4301 stainless steel.

**Version:**

Bright.  
Grip polished.

**Sample order:**

Quarter turn lock K1356.1186  
Tongue K1340.45060

**Note:**

Quarter-turn lock with T-grip. For right or left mounting with 90° closing. The quarter-turn lock can be installed pre-assembled. Supplied with standard stainless-steel nut. The lockable quarter-turn locks are each supplied with 2 keys. Rating IP65. Please order required tongue version separately. Every tongue can be combined with this housing.

The cylinder locks have a single-key system i.e. the same key works in all locks.

**On request:**

Available for door thickness 20 and 40 mm.

### KIPP Quarter-turn locks, stainless steel with T-grip

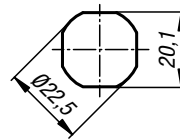
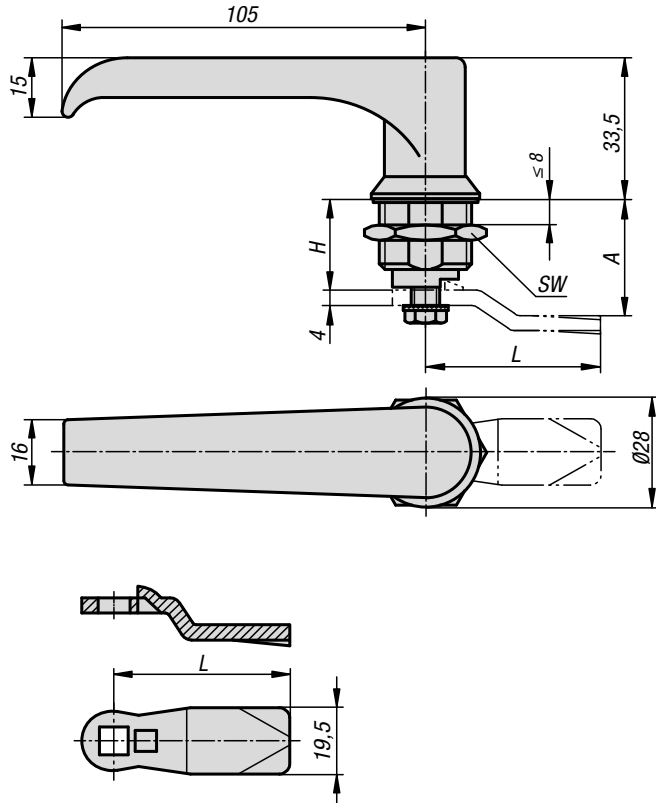
Order No.	Actuation	D
K1356.1186	T-Grip	32
K1356.2186	lockable T-grip	32

### KIPP Tongue for quarter-turn locks

Order No.	A	L
K1340.45060	6	45
K1340.45080	8	45
K1340.45100	10	45
K1340.45140	14	45
K1340.45160	16	45
K1340.45180	18	45
K1340.45200	20	45
K1340.45220	22	45
K1340.45240	24	45
K1340.45260	26	45
K1340.45280	28	45
K1340.45320	32	45
K1340.45500	50	45

## Quarter-turn lock, stainless steel

with L-grip



**Material:**

Grip and tongue 1.4301 stainless steel.  
Housing and nut 1.4305 stainless steel.

**Version:**

Bright.

**Sample order:**

Quarter turn lock K1110.1186  
Tongue K1114.245X180

**Note:**

Quarter-turn lock with L-grip. For right or left mounting with 90° closing. The quarter-turn lock can be installed pre-assembled. Supplied with standard stainless-steel nut. Rating IP65. Please order required tongue version separately. Every tongue can be combined with this housing.

### KIPP Quarter-turn lock, stainless steel with L-grip

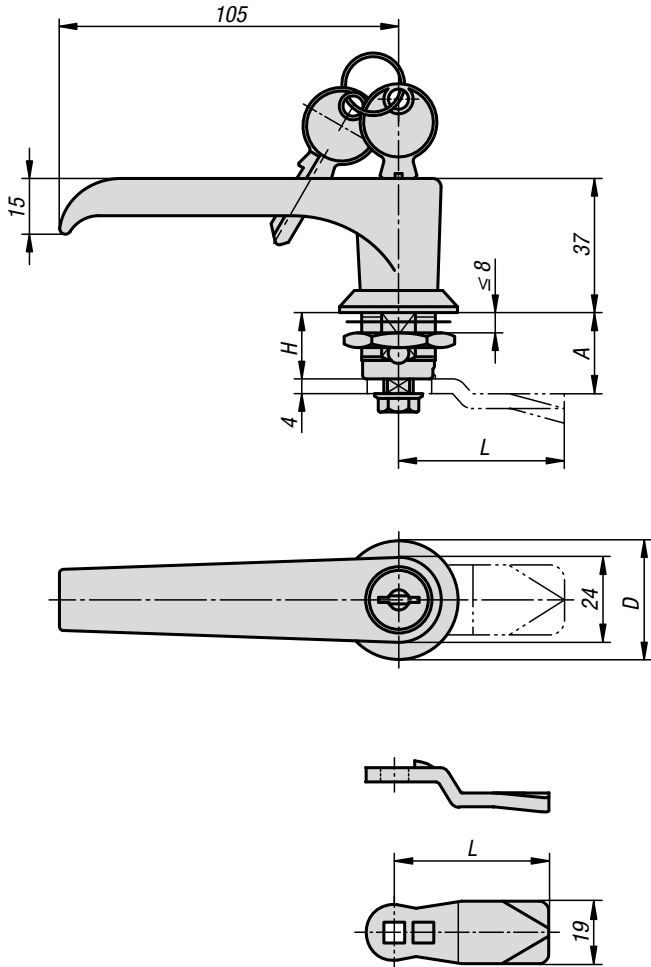
Order No.	Actuation	H	SW
K1110.1186	L-grip	18	27

### KIPP Tongue for quarter-turn lock

Order No.	A for housing length H=18	L
K1114.245X180	18	45
K1114.245X200	20	45
K1114.245X240	24	45
K1114.245X280	28	45
K1114.245X320	32	45
K1114.245X340	34	45
K1114.245X360	36	45
K1114.245X380	38	45
K1114.245X400	40	45
K1114.245X420	42	45

## Quarter-turn locks, stainless steel

with L-grip



**Material:**

Quarter-turn lock 1.4401 stainless steel.  
Tongue 1.4301 stainless steel.

**Version:**

Bright.  
Grip polished.

**Sample order:**

Quarter turn lock K1359.118  
Tongue K1340.45060

**Note:**

Quarter-turn lock with L-grip. For right or left mounting with 90° closing. The quarter-turn lock can be installed pre-assembled. Rating IP65. Please order required tongue version separately. Every tongue can be combined with this housing.

The lockable quarter-turn locks are each supplied with 2 keys. The cylinder locks have a single-key system i.e. the same key works in all locks.

**On request:**

Available for door thickness 20 and 40 mm.

### KIPP Quarter-turn locks, stainless steel with L-grip

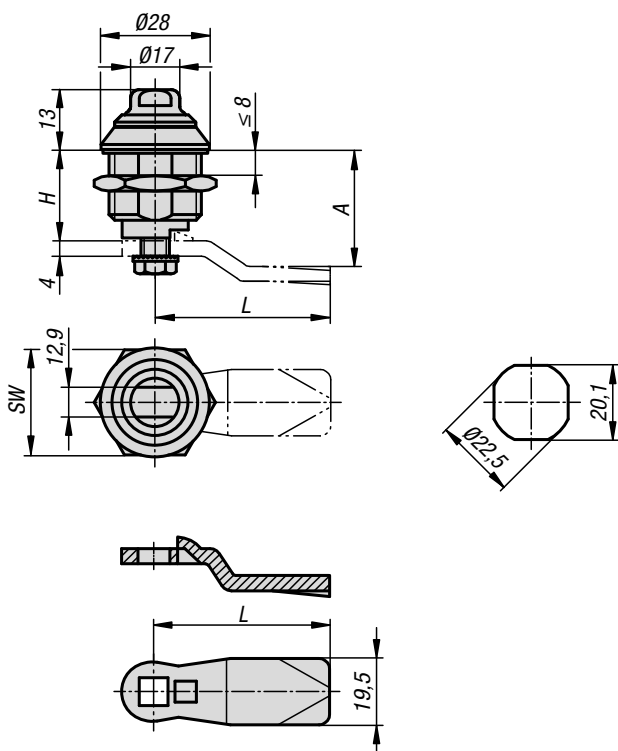
Order No.	Actuation	D	H
K1359.118	L-grip	32	18
K1359.218	lockable L-grip	32	18

### KIPP Tongue for quarter-turn locks

Order No.	A	L
K1340.45060	6	45
K1340.45080	8	45
K1340.45100	10	45
K1340.45140	14	45
K1340.45160	16	45
K1340.45180	18	45
K1340.45200	20	45
K1340.45220	22	45
K1340.45240	24	45
K1340.45260	26	45
K1340.45280	28	45
K1340.45320	32	45
K1340.45500	50	45

## Quarter-turn lock

for sterile areas



### Material:

Quarter-turn lock 1.4305 stainless steel.  
Tongue 1.4301 stainless steel.

### Version:

Bright.

### Sample order:

Quarter turn lock K1111.60186  
Tongue K1114.245X180

### Note:

Stainless steel quarter-turn lock with 13 mm AF actuator for applications with hygienic requirements as per EN ISO 14159, EN 1672-2:2009\*. Dust and waterproof as per IP69K. The rounded form and polished surfaces together with the material used make these locks insensitive to cleaning materials and resistant to dirt. The seal between the quarter-turn lock and the door is made using the captive PUR foam seal on the underside of the quarter-turn lock housing.

### Accessories:

Key K1335.113

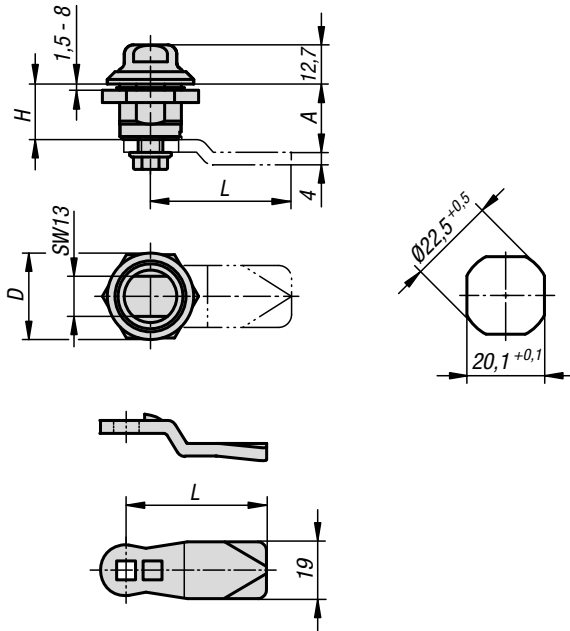
### KIPP Quarter-turn lock for sterile areas

Order No.	Actuation	H	SW
K1111.60186	double flat	18	27

### KIPP Tongue for quarter-turn lock

Order No.	A for housing length H=18	L
K1114.245X180	18	45
K1114.245X200	20	45
K1114.245X240	24	45
K1114.245X280	28	45
K1114.245X320	32	45
K1114.245X340	34	45
K1114.245X360	36	45
K1114.245X380	38	45
K1114.245X400	40	45
K1114.245X420	42	45

## Quarter-turn lock in Hygienic DESIGN



**Material:**

Housing, actuation and fastening nut 1.4404 stainless steel.

O-rings red silicone, conforming to FDA.

Tongue 1.4301 stainless steel.

**Version:**

Bright.

**Sample order:**

Quarter turn lock K1353.18

Tongue K1340.45060

**Note:**

The quarter turn lock fulfills the hygienic requirements acc. to DIN EN 1672-2 and DIN EN 14159.

Especially suitable for the food and beverage industry.

Please order required tongue version separately. Every tongue can be combined with every housing.

**Accessories:**

Lock key K1335.113

Ring spanner K1362.16

Protective insert K1362.1613

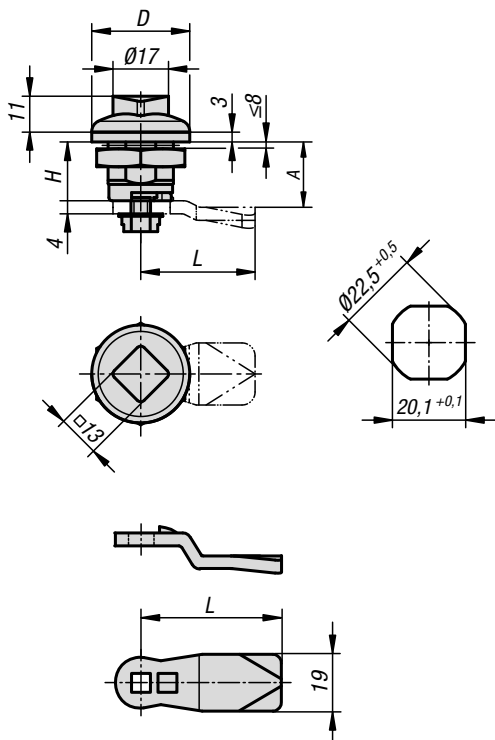
### KIPP Quarter-turn locks in Hygienic DESIGN

Order No.	Actuation	D	H
K1353.18	double flat	28	18

### KIPP Tongue for quarter-turn lock

Order No.	A	L
K1340.45060	6	45
K1340.45080	8	45
K1340.45100	10	45
K1340.45140	14	45
K1340.45160	16	45
K1340.45180	18	45
K1340.45200	20	45
K1340.45220	22	45
K1340.45240	24	45
K1340.45260	26	45
K1340.45280	28	45
K1340.45320	32	45
K1340.45500	50	45

## Quarter-turn lock in Hygienic DESIGN



**Material:**

Housing and actuation: 1.4404.  
 Earthing nut and ratchet screw: 1.4301.  
 Seal: blue silicon, FDA conform.  
 Tongue 1.4301.

**Version:**

Bright.

**Sample order:**

Quarter turn lock K1354.18  
 Tongue K1340.45060

**Note:**

The hygienic stainless steel quarter turn lock prevents bacterial attack and fulfils the strict regulations of testing principles for foodstuff machinery and hygien. The well conceived geometric form, the mirror polished stainless steel surface and the central circumferential seal reliably prevent dirt accumulation. Water, cleaning agents etc. can drain off fully and so prevent contamination.

Especially in processes where the resistance of the seal to cleaning and disinfection agents is very important, optimised control cabinets, terminal boxes and command panels are a must. Specifically designed after the principles of Hygienic DESIGN, the hygienic quarter turn lock HD fulfils the strict regulations of the foodstuff processing industry and passes therefore optimally in their professional hygienic applications. The special seal is suitable for high pressure washing up to max. 100 bar and fulfils IP65/67. Furthermore, the seal is temperature stable up to 80°C and the blue colour satisfies FDA regulations (reliably prevents a confusion with foodstuffs).

Please order required tongue version separately. Every tongue can be combined with every housing.

**Accessories:**

Lock key K1335.113  
 Ring spanner K1362.16  
 Protective insert K1362.1613

### KIPP Quarter-turn locks in Hygienic DESIGN

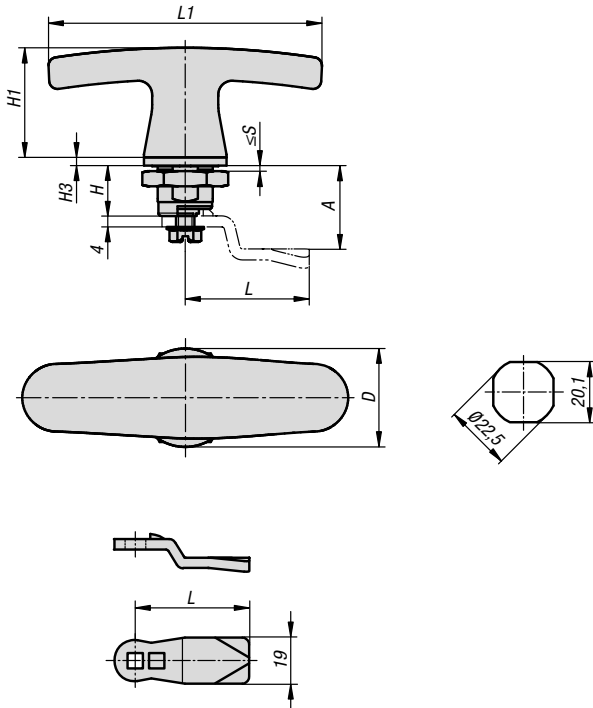
Order No.	Actuation	D	H
K1354.18	square	30	18

### KIPP Tongue for quarter-turn lock

Order No.	A	L
K1340.45060	6	45
K1340.45080	8	45
K1340.45100	10	45
K1340.45140	14	45
K1340.45160	16	45
K1340.45180	18	45
K1340.45200	20	45
K1340.45220	22	45
K1340.45240	24	45
K1340.45260	26	45
K1340.45280	28	45
K1340.45320	32	45
K1340.45500	50	45

## Quarter-turn lock in Hygienic DESIGN

with T-grip



### Material:

Housing and actuation: 1.4404.  
Earthing nut and ratchet screw: 1.4301.  
Seal: blue silicon, FDA conform.

### Version:

Bright.  
Grip polished.

### Sample order:

K1452.1188

### Note:

The hygienic stainless steel quarter turn lock prevents bacterial attack and fulfils the strict regulations of testing principles for foodstuff machinery and hygien. The well conceived geometric form, the mirror polished stainless steel surface and the central circumferential seal reliably prevent dirt accumulation. Water, cleaning agents etc. can drain off fully and so prevent contamination.

Especially in processes where the resistance of the seal to cleaning and disinfection agents is very important, optimised control cabinets, terminal boxes and command panels are a must. Specifically designed after the principles of Hygienic DESIGN, the hygienic quarter turn lock HD fulfils the strict regulations of the foodstuff processing industry and passes therefore optimally in their professional hygienic applications. The special seal is suitable for high pressure washing up to max. 100 bar and fulfils IP65/67. Furthermore, the seal is temperature stable up to 80°C and the blue colour satisfies FDA regulations (reliably prevents a confusion with foodstuffs).

Please order required tongue version separately. Every tongue can be combined with every housing.

### KIPP Quarter-turn locks in Hygienic DESIGN with T-grip

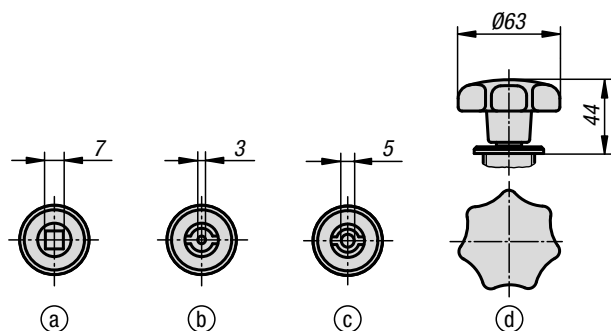
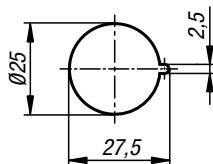
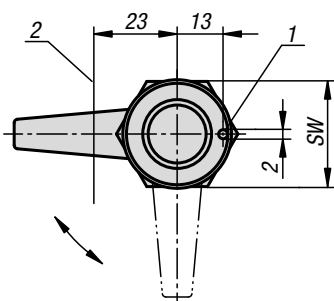
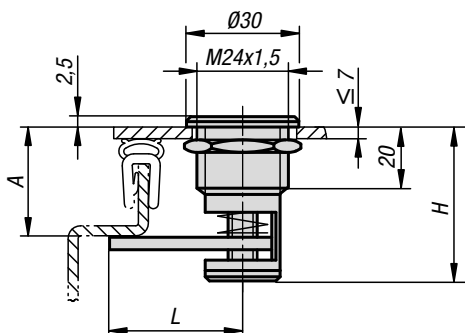
Order No.	D	H	H1	H3	L1	S max.
K1452.1188	30	18	40	3	100	8

### KIPP Tongue for quarter-turn locks

Order No.	A	L
K1340.45060	6	45
K1340.45080	8	45
K1340.45100	10	45
K1340.45140	14	45
K1340.45160	16	45
K1340.45180	18	45
K1340.45200	20	45
K1340.45220	22	45
K1340.45240	24	45
K1340.45260	26	45
K1340.45280	28	45
K1340.45320	32	45
K1340.45500	50	45

## Compression latches

with variable compression



**Material:**

Compression latch steel.  
DIN 6336 star grip thermoset.

**Version:**

Compression latch trivalent blue passivated.  
Star grip black.

**Sample order:**

Compression latch K0528.1709161

**Note:**

Compression latches are primarily used for doors and housings that require a high pressure on the seal. Right or left deployment. The locking direction is always clockwise.

**Assembly:**

Cut a notch in a Ø25 mm hole for the locking pin. Pass the latch through the hole. The tongue must be in the end position and in the centre of the opening before the nut can be slipped on and tightened.

**On request:**

Water tight A2 stainless steel version rated IP65.

**Function:**

Turning the actuator 90° brings the tongue into the closed position. Turning the actuator further winds the tongue up the thread and increases the pressure on the frame. To unlock the latch turn the actuator to the left. The tongue moves to the open position and, even doors with sticky seals can be easily opened. The variable compression gap is 7 mm. The frame width range of 9-44 mm is covered by 7 offset tongues (dimension A).

Supplied completely assembled.

**Accessories:**

Key K0535

**Drawing reference:**

- 1) locating pin
- 2) frame

**Actuation**

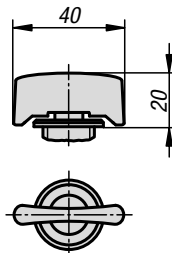
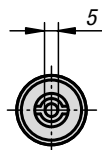
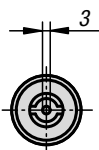
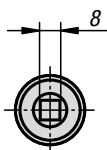
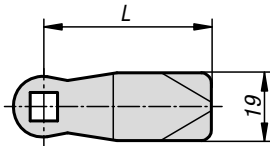
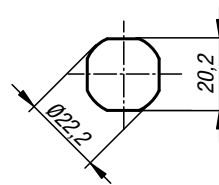
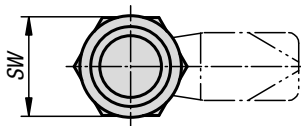
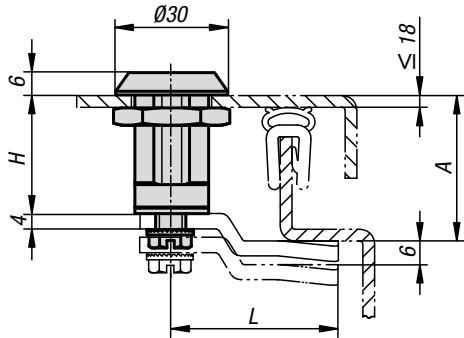
- a) square 7 mm
- b) double lug 3 mm
- c) double lug 5 mm
- d) star grip

### KIPP Compression latches with variable compression

Order No. square 7 mm	Order No. double lug 3 mm	Order No. double lug 5 mm	Order No. star grip	A	L	H	SW
K0528.1709161	K0528.4309161	K0528.4509161	K0528.5009161	9-16	40,5	40	27
K0528.1713201	K0528.4313201	K0528.4513201	K0528.5013201	13 - 20	42,5	40	27
K0528.1717241	K0528.4317241	K0528.4517241	K0528.5017241	17 - 24	44	40	27
K0528.1723301	K0528.4323301	K0528.4523301	K0528.5023301	23 - 30	45	40	27
K0528.1729361	K0528.4329361	K0528.4529361	K0528.5029361	29 - 36	43	40	27
K0528.1733401	K0528.4333401	K0528.4533401	K0528.5033401	33 - 40	40,5	40	27
K0528.1737441	K0528.4337441	K0528.4537441	K0528.5037441	37 - 44	37	40	27



## Compression latches



a)

b)

c)

d)

**Material:**

Housing and actuator die-cast zinc.  
Flat seal rubber.  
Tongue steel.

**Version:**

Housing and actuator trivalent passivated.  
Tongue electro zinc-plated.

**Sample order:**

Compression latch K0529.18321  
Tongue K0530.145X320  
(include tongue gap "A")

**Note:**

Compression latches are primarily used for doors and housings that require a high pressure on the seal. Right or left deployment. The locking direction is always clockwise.

Vibration-proof, water and dust tight according to IP65. Please order the desired tongue type separately. Every tongue can be combined with every housing.

**Function:**

Turning the actuator 90° brings the tongue into the closed position. Turning the actuator another 90° draws the tongue into the frame increasing the pressure. The compression gap is 6 mm. The fastening nut is an earthing nut with teeth one side.

**Accessories:**

Key K0535

**Drawing reference:**

Actuation:

- a) square 8 mm
- b) double lug 3 mm
- c) double lug 5 mm
- d) toggle

**KIPP Compression latches**

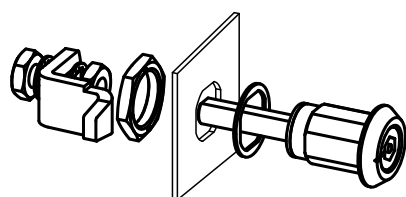
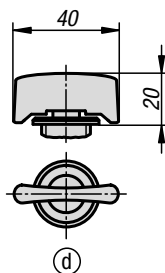
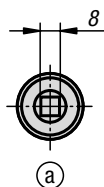
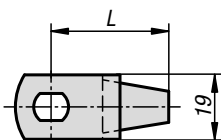
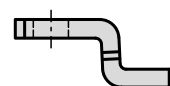
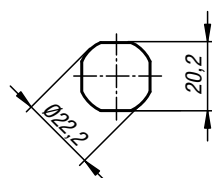
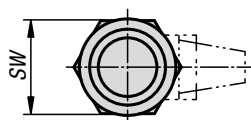
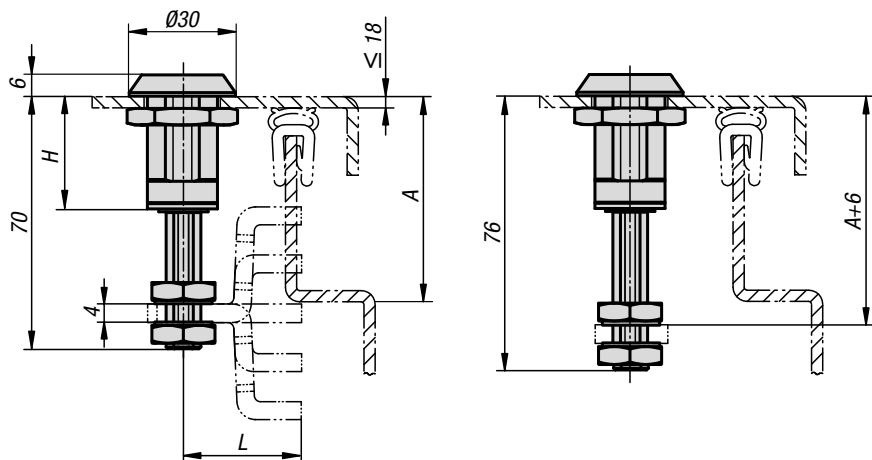
Order No.	Actuation	H	SW
K0529.18321	square 8 mm	32	27
K0529.30321	grip	32	27
K0529.43321	double lug 3 mm	32	27
K0529.45321	double lug 5 mm	32	27

**KIPP Tongue for compression latches**

Order No.	A	L
K0530.145X	32/35/38/44	45
K0530.151X	32	51

## Compression latches

with adjustable tongue gap



**Material:**

Housing and actuator die-cast zinc.  
Flat seal rubber.  
Tongue steel.

**Version:**

Housing and actuator trivalent passivated.  
Wing-handle version powder-coated.  
Tongue electro zinc-plated.

**Sample order:**

Compression latch K0531.18321  
Tongue K0532.1000X590

**Note:**

Compression latches are primarily used for doors and housings that require a high pressure on the seal. Right or left deployment. The locking direction is always clockwise.

Vibration-proof, water and dust tight according to IP65. Please order the desired tongue type separately. Every tongue can be combined with every housing.

**Function:**

Turning the actuator 90° brings the tongue into the closed position. Turning the actuator another 90° draws the tongue into the frame increasing the pressure. The compression gap is 6 mm. The fastening nut is an earthing nut with teeth one side. The offset tongue can be installed positive or negative.

**Accessories:**

Key K0535

**Drawing reference:**

Actuation:  
a) square 8 mm  
b) double lug 3 mm  
c) double lug 5 mm  
d) toggle

### KIPP Compression latches with adjustable tongue gap

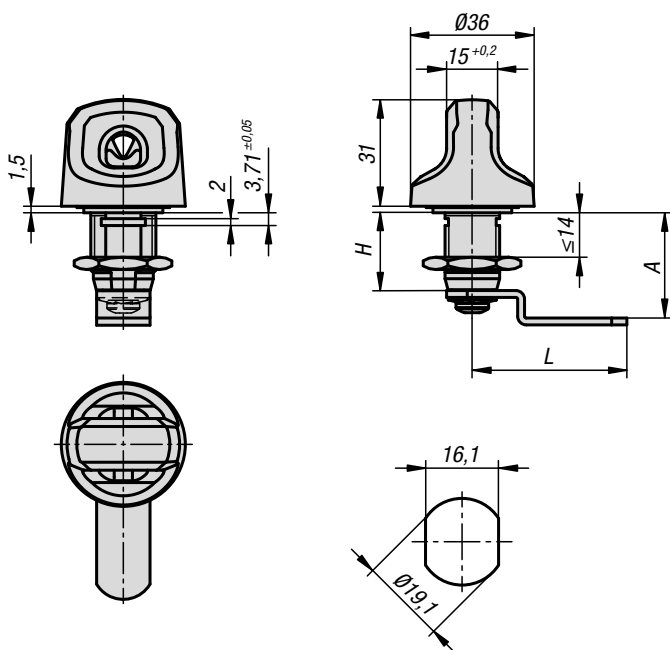
Order No.	Actuation	SW	H
K0531.18321	square 8 mm	27	32
K0531.43321	double lug 3 mm	27	32
K0531.45321	double lug 5 mm	27	32
K0531.30322	grip	27	32

### KIPP Tongues for compression latches with adjustable tongue gap

Order No.	A	L
K0532.1000X590	40-59	33
K0532.1140X730	26-45 / 52-73	33
K0532.1275X860	12-32 / 68-86	33

## Quarter-turn locks

free-turning



**Material:**

Housing and actuator die-cast zinc.  
Nut brass.  
Tongue steel.

**Version:**

Housing trivalent blue passivated.  
Lever black KTL coated.  
Tongue electro zinc-plated.

**Sample order:**

K1275.22224

**Note:**

Particularly suitable for steel cabinets, lockers in changing rooms, schools, leisure facilities and industrial companies.

**Method of operation:**

The integrated free-turning function provides higher security against violent actuation compared to conventional locks.

**Assembly:**

The quarter-turn lock can be installed pre-assembled.

**Attention:**

Optimum functionality is guaranteed with padlocks with a shackle diameter of Ø6 – Ø8 mm.

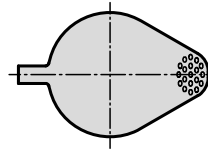
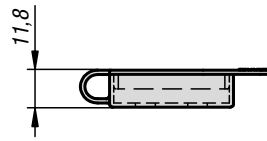
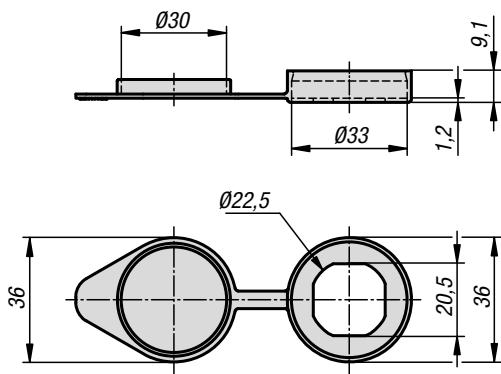


**KIPP Quarter-turn lock, free-turning**

Order No.	A	L	H
K1275.22224	22,4	44	22,4
K1275.22248	24,8	42	22,4
K1275.22304	30,4	45	22,4
K1275.22359	35,9	49	22,4
K1275.22424	42,4	45	22,4

# K0533

## Dust caps



**Material:**  
Thermoplastic plastic (PU).

**Version:**  
Black.

**Sample order:**  
K0533.202230

**Note:**  
Dust caps for compression latches with a head diameter up to max. 32 mm. It offers increased protection from dust and moisture. If the dust cap is used, dimension "A" of the compression latch is reduced by 1 mm.

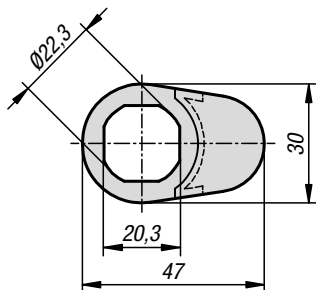
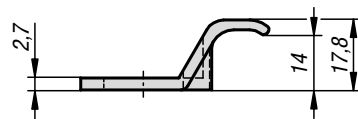
### KIPP Dust caps

Order No.

K0533.202230

# K0534

## Opening grips



**Material:**  
Thermoplastic plastic (PA).

**Version:**  
Black.

**Sample order:**  
K0534.202230

**Note:**  
Practical opening grip for compression latches with a head diameter up to max. 30 mm. If the opening grip is used, dimension "A" of the compression latch is reduced by 2.5 mm.



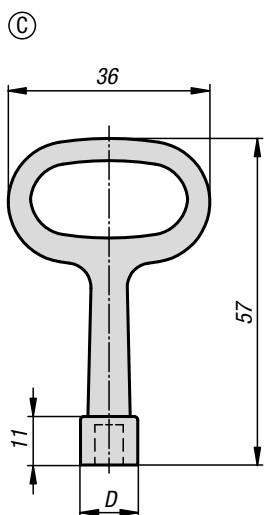
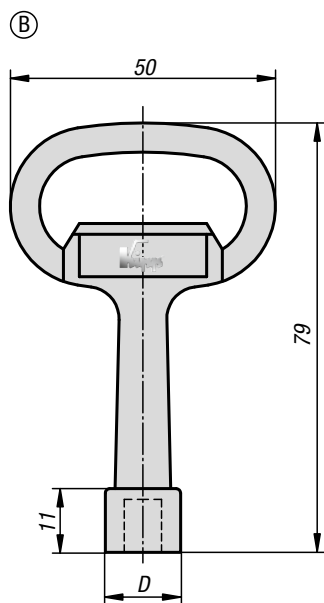
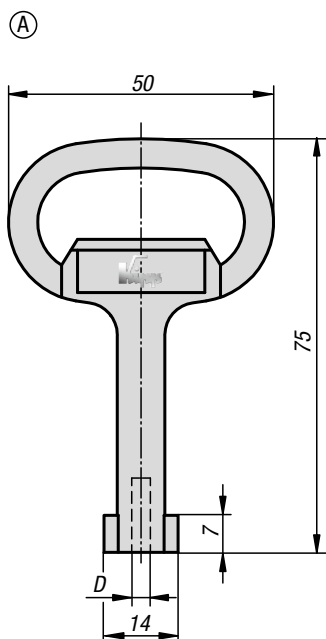
### KIPP Opening grips

Order No.

K0534.202230

## Keys

for latches and locks



**Material:**  
Die-cast zinc.

**Version:**  
chromium-plated.

**Sample order:**  
K0535.43

**Note:**  
For operating compression latches and quarter-turn locks.

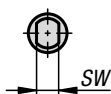
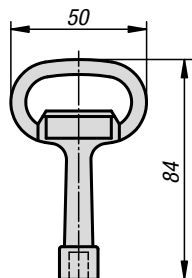
### KIPP Keys for latches and locks

Order No.	Form	Version 1	D
K0535.43	A	double lug 3 mm	3
K0535.45	A	double lug 5 mm	5
K0535.17	B	square 7 mm	15
K0535.18	B	square 8 mm	15
K0535.16	C	square 6 mm	11,5

# K1335

## Keys

for latches and locks



**Material:**  
Die-cast zinc.

**Version:**  
Blue powder-coated.

**Sample order:**  
K1335.113

**Note:**  
For actuating the quarter-turn lock for sterile areas

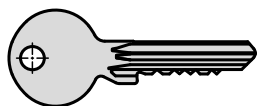
### KIPP Keys for latches and locks

Order No.	Actuation	SW
K1335.113	double flat	13

# K1511

## Keys

for quarter-turn locks



**Material:**  
Steel.

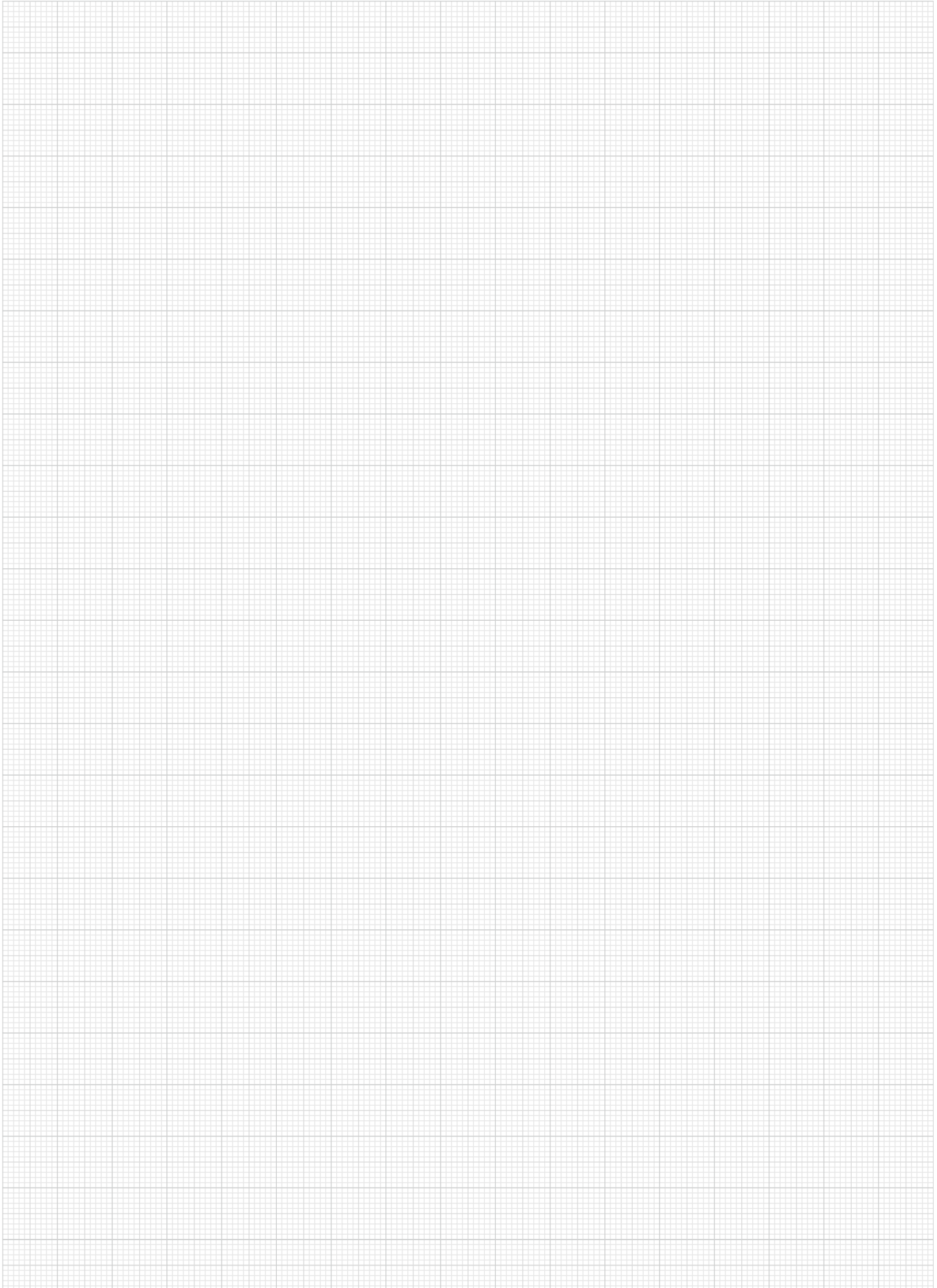
**Version:**  
nickel-plated.

**Sample order:**  
K1511.1333

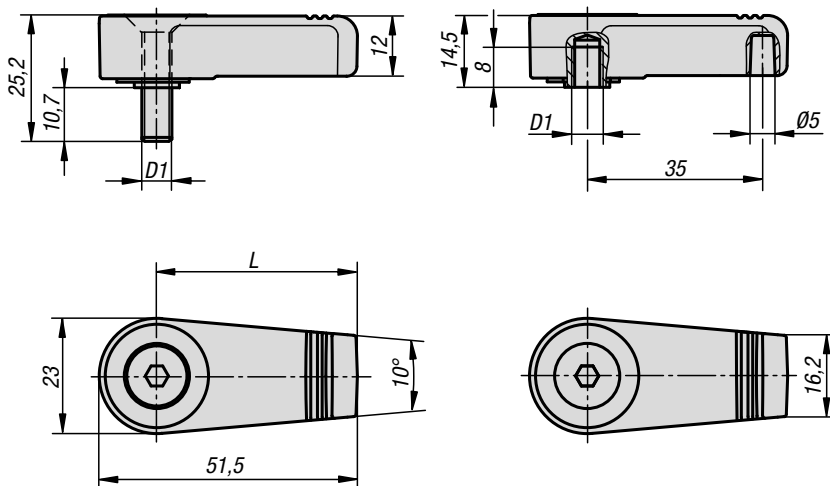
**Note:**  
Key for actuating the quarter-turn lock.  
Supplied in pairs.

### KIPP Quarter turn lock keys

Order No.	Version 1
K1511.1333	lock 1333



## Stop latches

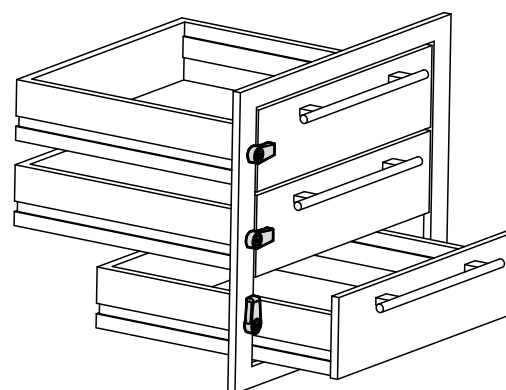


**Material:**  
 Housing die-cast zinc, powder-coated.  
 Pin steel.  
 Washer plastic.  
 Circlip spring steel.  
 Countersunk screw steel grade 8.8.

**Version:**  
 Housing black or red.  
 Pin trivalent blue passivated.  
 Circlip and countersunk screw, black.

**Sample order:**  
 K0271.140061

**Note:**  
 Engages every 90°.



### KIPP Stop latch

Order No.	Main colour	Version	L	D1
K0271.140061	black	internal thread	40	M6
K0271.140062	red	internal thread	40	M6
K0271.140061X10	black	external thread	40	M6
K0271.140062X10	red	external thread	40	M6

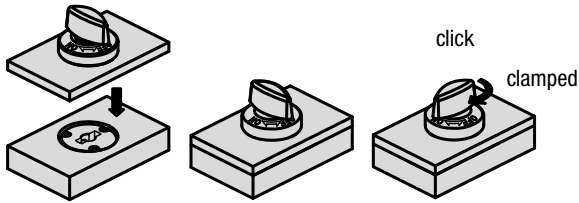


# Technical Information

## Quarter-turn clamp lock K1061 and clamping plate K1062



### 1. Application:



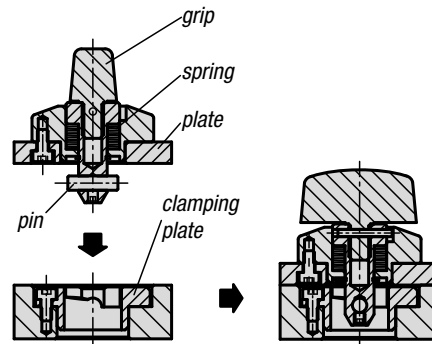
Make sure that the knob is in the "OFF" position.

Insert the pin of the quarter-turn clamp lock into the clamping plate.

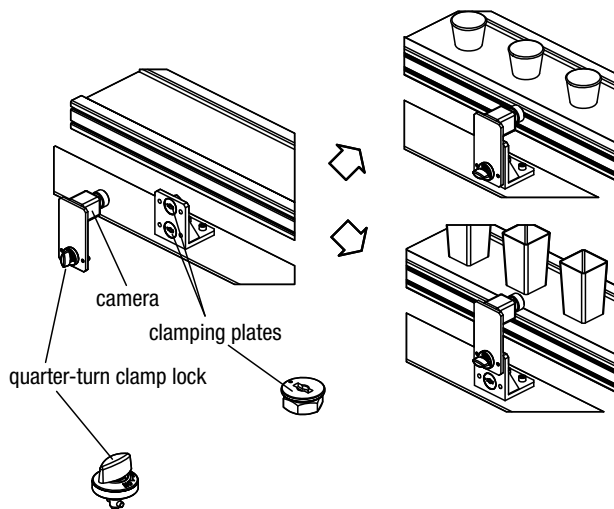
To lock components, turn the knob to the "ON" position. A click signals the opening/closing.

### 2. Function:

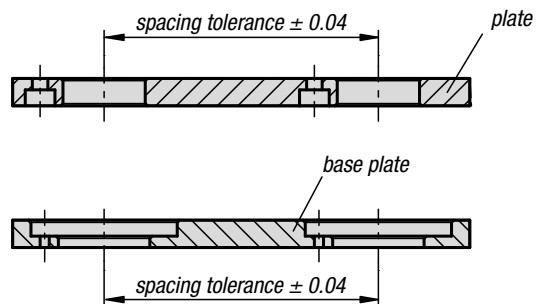
The knob is linked to the centre pin with a transverse pin. When the knob of the quarter-turn clamp lock is turned, the centre pin engages with the clamping plate and locks the components together.



### Application examples: Altering camera positions

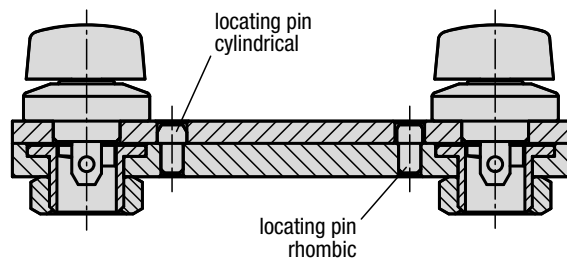


### Production tolerances:



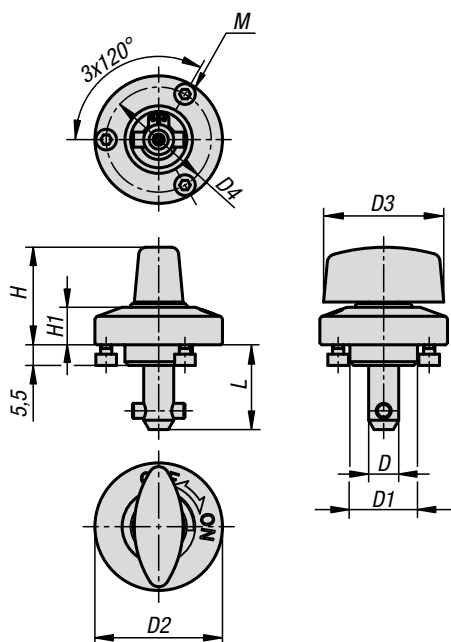
### Repeat accuracy:

A higher repeat accuracy can be achieved with the aid of additional locating pins (not supplied).



## Quarter-turn clamp locks stainless steel

rotary knob plastic or stainless steel



### Material:

Housing stainless steel.  
Pin steel or stainless steel.  
Pin stainless steel.  
Twist knob stainless steel or thermoplastic PA (polyamide)

### Version:

Housing bright.  
Pin nickel plated or bright.  
Pin bright.  
Twist knob fibreglass reinforced PA, black.  
Twist knob stainless steel, bright.

### Sample order:

K1061.516

### Note:

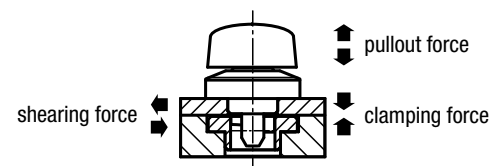
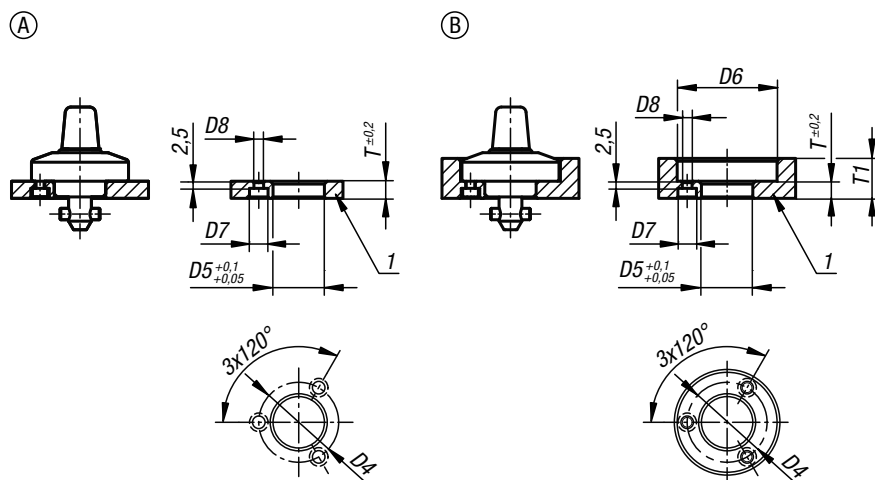
M2 or M3 mounting screws are supplied.  
Form A mounting option for plate thickness 6 or 12 mm.  
Form B mounting option for plate thickness 12 to 20 mm.

### Accessories:

Clamping plates K1062

### Drawing reference:

1) plate



## KIPP Quarter-turn clamp locks stainless steel, rotary knob plastic or stainless steel

Order No. plastic pins steel	Order No. stainless steel pins steel	Order No. stainless steel pin stainless steel	D	L	D1	D2	D3	D4	H	H1	M	D5	D6	D7	D8	T	T1
K1061.516	K1061.5161	K1061.15161	5	15,5	14	25	20	21	19 / 19 / 19	6,5	M2x3	14	26	4,4	2,4	6	6-10
K1061.817	K1061.8171	K1061.18171	8	17	18	34	32	28	26 / 25,5 / 25,5	10	M3x4	18	35	6,5	3,4	6	6-14
K1061.823	K1061.8231	K1061.18231	8	23	18	34	32	28	26 / 25,5 / 25,5	10	M3x4	18	35	6,5	3,4	12	12-20

## KIPP Quarter-turn clamp lock, technical information

Order No. plastic pins steel	Order No. stainless steel pins steel	Order No. stainless steel pin stainless steel	D	L	Clamping force N	Shearing force kN	Pullout force F kN	Temperature resistance
K1061.516	K1061.5161	K1061.15161	5	15,5	60	1,8	1,2	≤130 °C / ≤200 °C / ≤200 °C
K1061.817	K1061.8171	K1061.18171	8	17	90	3,2	2,6	≤130 °C / ≤200 °C / ≤200 °C
K1061.823	K1061.8231	K1061.18231	8	23	90	3,2	2,6	≤130 °C / ≤200 °C / ≤200 °C

## Quarter-turn clamp locks flat



**Material:**

Housing stainless steel.  
Bolt steel  
Pin stainless steel  
Twist knob stainless steel.

**Version:**

Housing bright.  
Bolt nickel plated.  
Pin bright.  
Twist knob stainless steel, bright.

**Sample order:**

K1061.5162

**Note:**

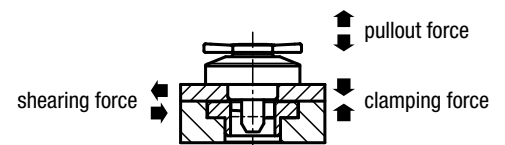
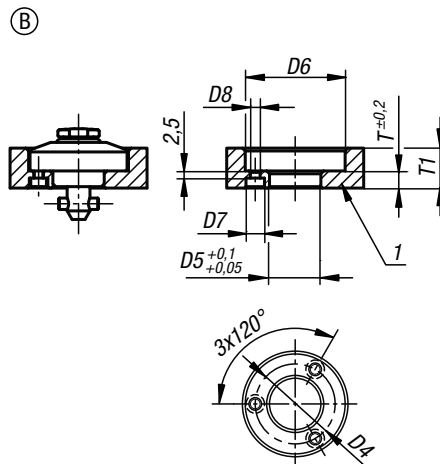
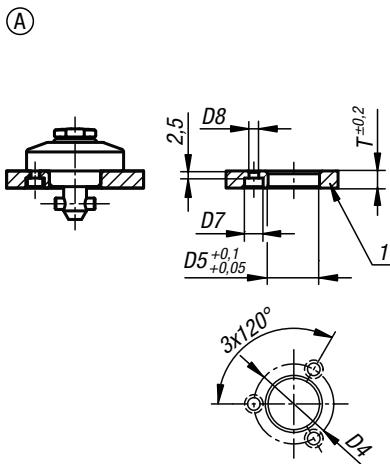
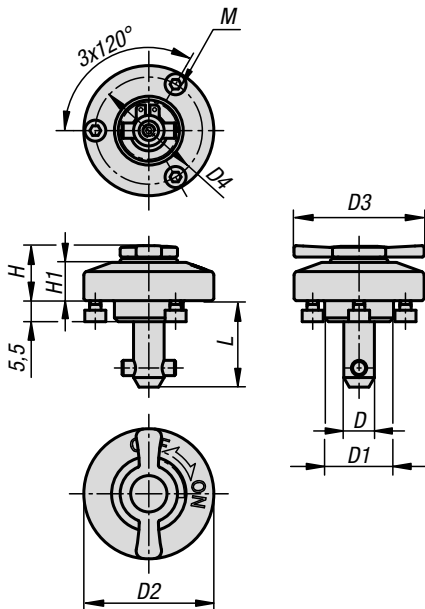
M2 or M3 mounting screws are supplied.  
Form A mounting option for plate thickness 6 or 12 mm.  
Form B mounting option for plate thickness 12 to 20 mm.

**Accessories:**

Clamping plates K1062

**Drawing reference:**

1) plate



### KIPP Quarter-turn clamp locks, flat

Order No.	D	D1	D2	D3	D4	H	H1	L	M	D5	D6	D7	D8	T	T1
K1061.5162	5	14	25	20	21	11,5	6,5	15,5	M2x3	14	26	4,4	2,4	6	6-10
K1061.8172	8	18	34	32	28	15,4	10	17	M3x4	18	35	6,5	3,4	6	6-14
K1061.8232	8	18	34	32	28	15,4	10	23	M3x4	18	35	6,5	3,4	12	12-20

### KIPP Quarter-turn clamp lock, technical information

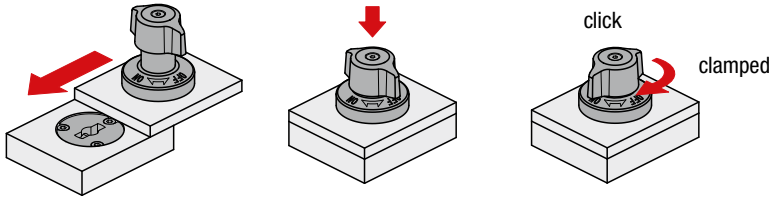
Order No.	Clamping force N	Shearing force kN	Pullout force F kN	Temperature resistance
K1061.5162	60	1,8	1,2	≤200 °C
K1061.8172	90	3,2	2,6	≤200 °C
K1061.8232	90	3,2	2,6	≤200 °C

# Technical Information

## Quarter-turn clamp lock K1558 and clamping plate K1062



### 1. Application:



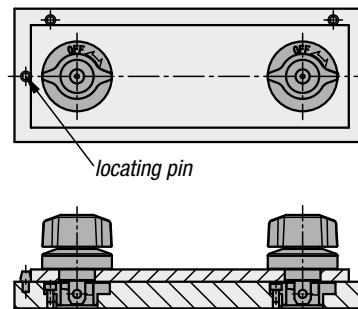
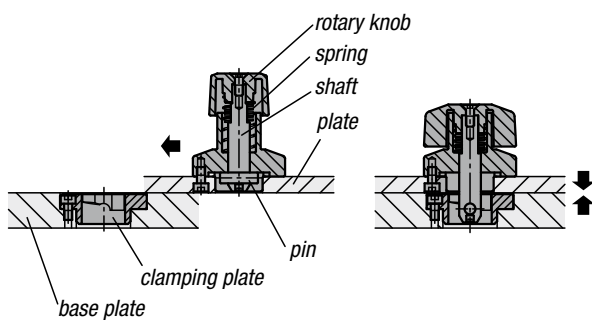
Check that the rotary knob is in the "OFF" position and that the pin is retracted.  
 Push or place the quarter-turn clamp lock over the premounted clamping plate.  
 Press the rotary knob down and turn to the "ON" position.  
 When fully clamped, a click sound is heard.

### 2. Function:

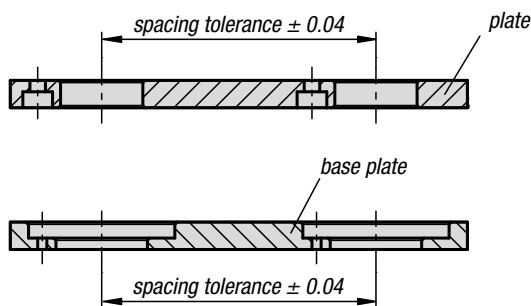
The knob is linked to the centre pin with a transverse pin. When the knob of the quarter-turn clamp lock is turned, the centre pin engages with the clamping plate and locks the components together.

### Repeat accuracy:

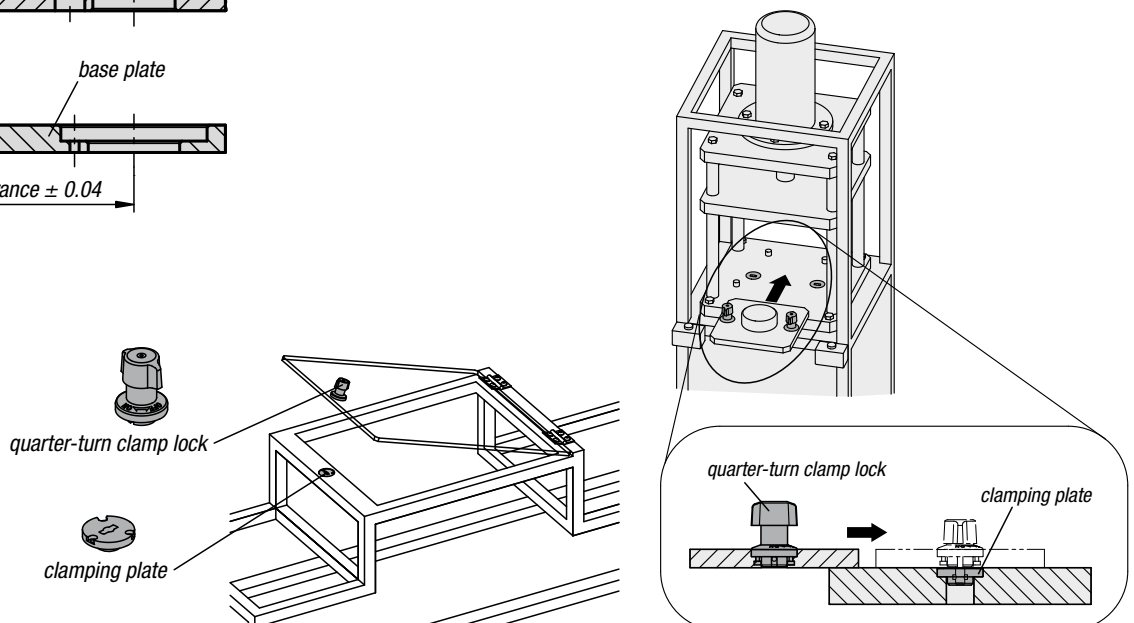
A higher repeat accuracy can be achieved with the aid of additional locating pins (not supplied).



### Production tolerances:

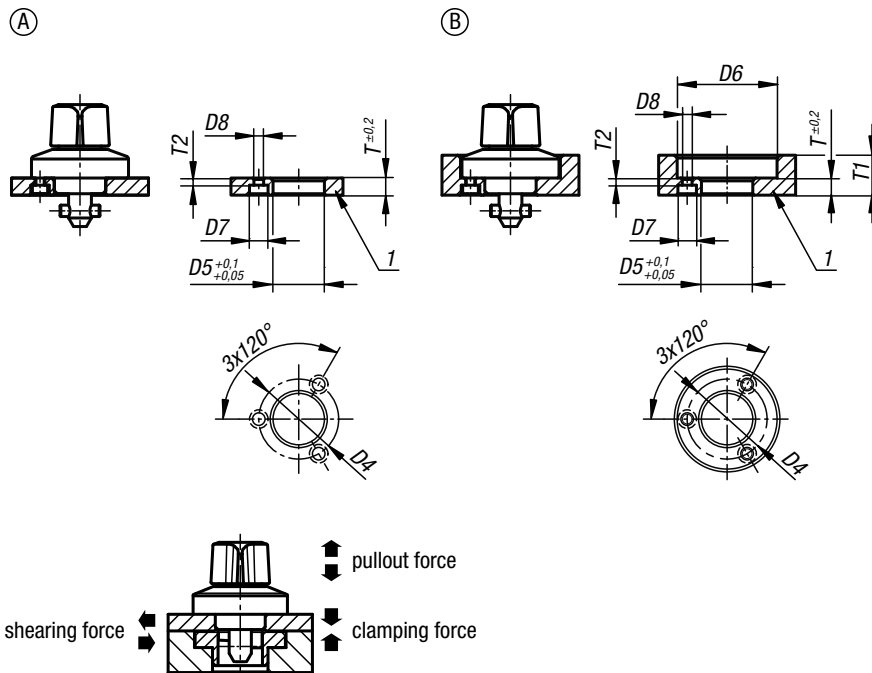
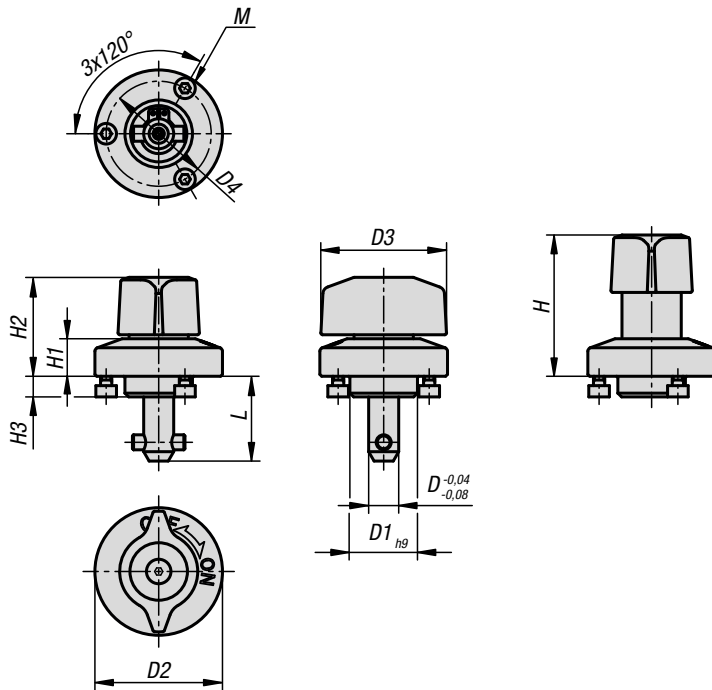


### Application examples:



## Quarter-turn clamp locks, stainless steel

rotary knob plastic or stainless steel



Quarter-turn clamp locks are used for replacing and locking fixtures or hatches quickly and easily. Toolless clamping shortens setup times.

**Material:**

Housing stainless steel.  
Pin steel or stainless steel.  
Pin stainless steel.  
Knob stainless steel or thermoplastic PA (polyamide).

**Version:**

Housing bright.  
Pin nickel plated or bright.  
Pin bright.  
Knob reinforced PA fibreglass, black.  
Knob stainless steel, bright.

**Sample order:**

K1558.516

**Note:**

Stainless steel fastening screws M2 or M3 are included.  
Form A mounting option for plate thickness 6 mm.  
Form B mounting option for plate thickness > 6 to 14 mm.

**Method of operation:**

Check that the rotary knob is in the „OFF“ position and that the pin is retracted.  
Push or place the quarter-turn clamp lock over the premounted clamping plate.  
Press the rotary knob down and turn to the „ON“ position.  
When fully clamped, a click sound is heard.

**Accessories:**

Clamping plates K1062

**Drawing reference:**

1) plate

### KIPP Quarter-turn clamp locks, stainless steel, rotary knob plastic or stainless steel

Order No. polyamide pins steel	Order No. stainless steel pin stainless steel	D	L	D1	D2	D3	D4	H	H1	H2	H3	M	D5	D6	D7	D8	T	T1	T2
K1558.516	K1558.1516	5	15,5	14	25	25	21	30	6,5	20	5,5	M2x3	14	26	4,4	2,4	6	6-10	2,5
K1558.817	K1558.1817	8	17	18	34	34	28	38	10	26,5	5,5	M3x4	18	35	6,5	3,4	6	6-14	2,5

### KIPP Quarter-turn clamp lock, technical information

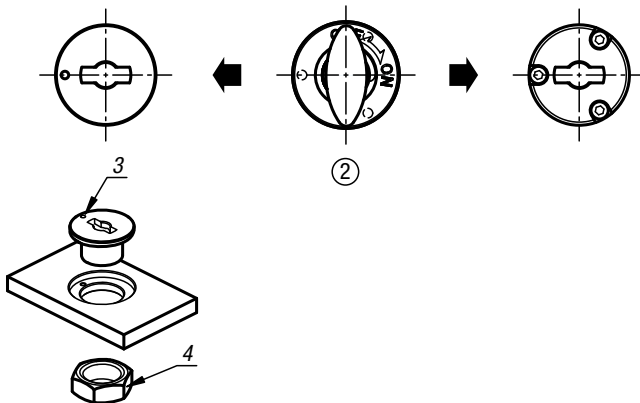
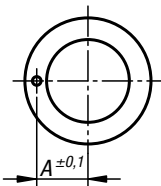
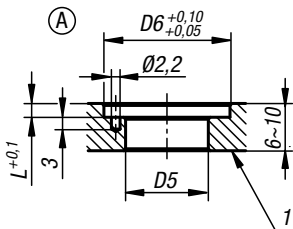
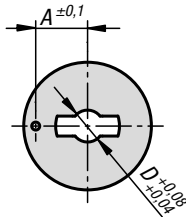
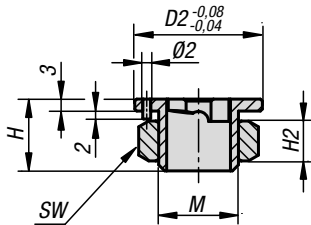
Order No. polyamide pins steel	Order No. stainless steel pin stainless steel	D	L	Clamping force N	Shearing force kN	Pullout force kN	Temperature resistance
K1558.516	K1558.1516	5	15,5	60	1,8	1,2	≤130 °C / ≤200 °C
K1558.817	K1558.1817	8	17	90	3,2	0,4	≤130 °C / ≤200 °C

## Clamping plates

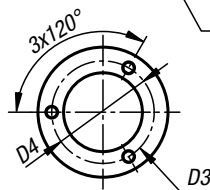
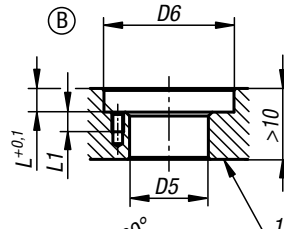
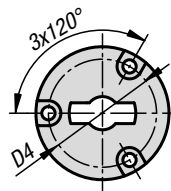
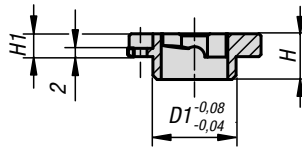
for quarter-turn clamp locks



(A) Clamping plate surface mounted for plate thickness from 6 to 10 mm



(B) Clamping plate recessed for plate thickness > 10 mm



**Material:**

Housing steel or stainless steel.  
Nut stainless steel.

**Version:**

Housing nickel-plated or bright.  
Nut bright.

**Sample order:**

K1062.50

**Note:**

M2 or M3 mounting screws are supplied.  
Form A mounting option for plate thickness 6 to 10 mm.  
Form B mounting option for plate thickness over 10 mm.

**Drawing reference:**

- 1) plate
- 2) quarter-turn clamp lock
- 3) locating pin
- 4) nut

### KIPP Clamping plates for quarter-turn clamp locks

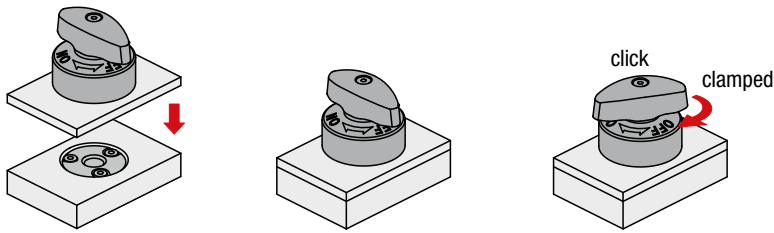
Order No. Form A surface mounted	Order No. Form B countersunk	Main material	D	D1	D2	D4	A	M	H2	SW	H	H1	D3 for screw to DIN 912	D5	D6	L	L1
K1062.50	K1062.501	steel	5	- / 14	25	- / 21	10,5 / -	M14X1,5 / -	8 / -	22 / -	16 / 9	- / 4,5	- / M2	15 / 14	25 / 26	3,5 / 5	- / 4
K1062.80	K1062.801	steel	8	- / 20	32	- / 26	13 / -	M20X1,5 / -	10 / -	30 / -	18 / 11	- / 5,5	- / M3	21 / 20	32 / 33	3,5 / 6	- / 5
K1062.150	K1062.1501	stainless steel	5	- / 14	25	- / 21	10,5 / -	M14X1,5 / -	8 / -	22 / -	16 / 9	- / 4,5	- / M2	15 / 14	25 / 26	3,5 / 5	- / 4
K1062.180	K1062.1801	stainless steel	8	- / 20	32	- / 26	13 / -	M20X1,5 / -	10 / -	30 / -	18 / 11	- / 5,5	- / M3	21 / 20	32 / 33	3,5 / 6	- / 5

# Technical Information

## Quarter-turn clamp lock K1559 and clamping plate K1560



### 1. Application:

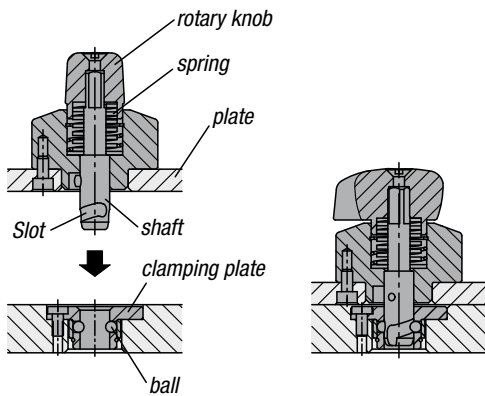


Check that the rotary knob is in the "OFF" position. Set the quarter-turn clamp lock in the premounted clamping plate.

Turn the rotary knob to the "ON" position. When fully clamped, a click sound is heard.

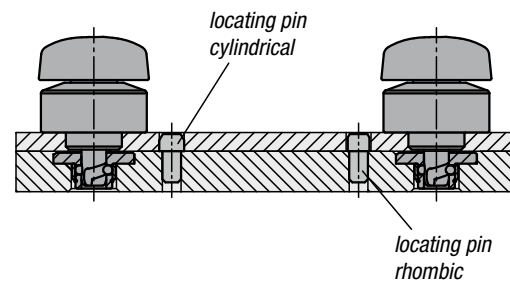
### 2. Function:

When connecting the quarter-turn clamp lock and clamping plate, the spiral slot travels down guided by the balls in the clamping plate. The spring is compressed and the components are clamped.

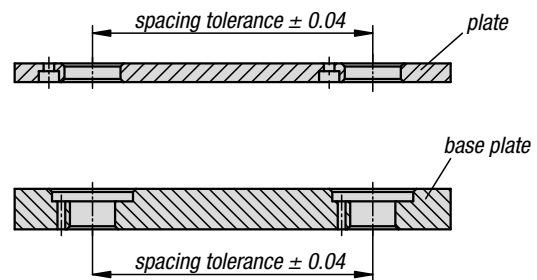


### Repeat accuracy:

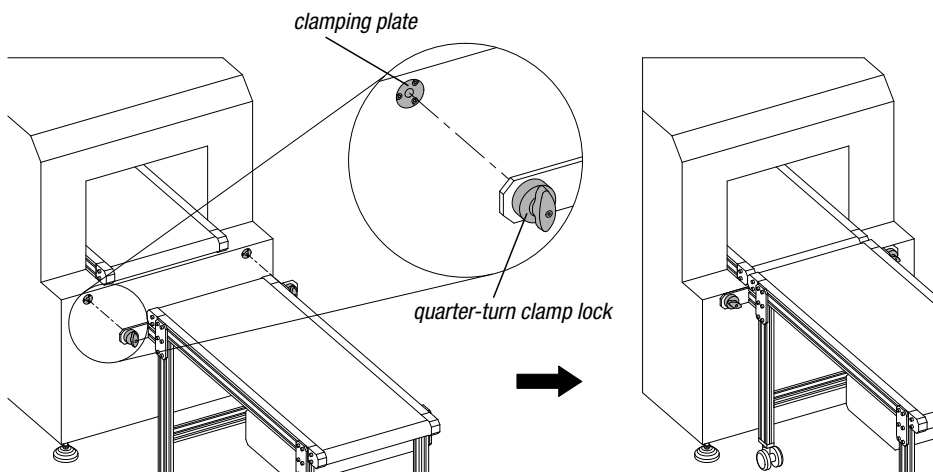
A higher repeat accuracy can be achieved with the aid of additional locating pins (not supplied).



### Production tolerances:

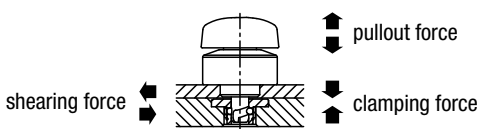
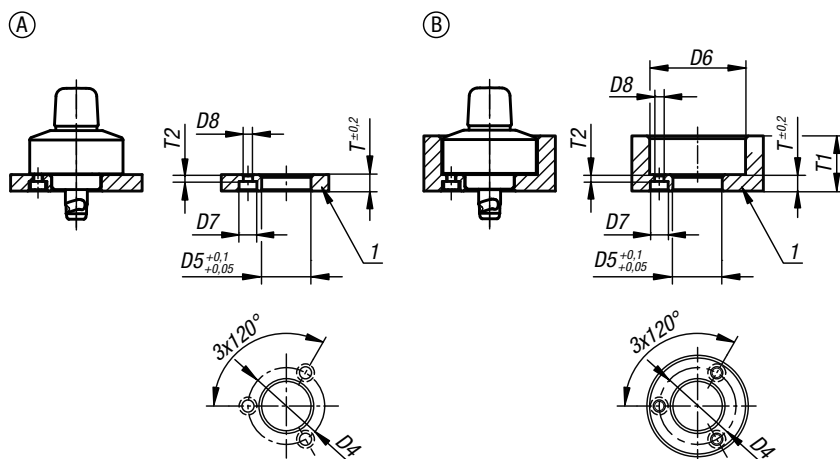
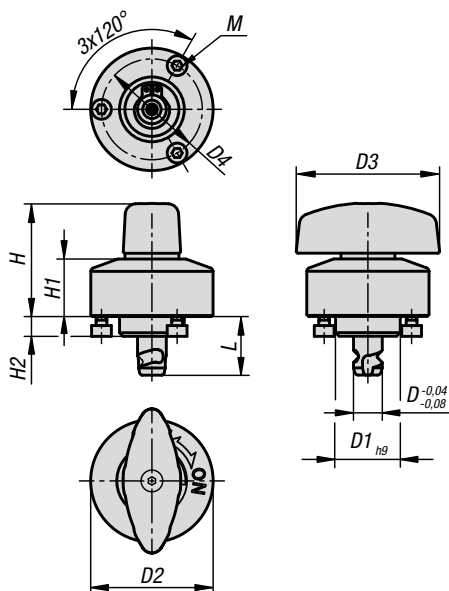


### Application examples:



## Quarter-turn clamp locks, stainless steel

twist knob plastic or stainless steel



Quarter-turn clamp locks are used for replacing and locking fixtures or hatches quickly and easily. Toolless clamping shortens setup times.

**Material:**

Stainless steel housing.  
Bolt steel.  
Rotary knob stainless steel or thermoplastic PA (polyamide)

**Version:**

Housing bright.  
Bolt nickel plated.  
Rotary knob PA fibreglass reinforced, black.  
Rotary knob stainless steel, bright.

**Sample order:**

K1559.816

**Note:**

Stainless steel M3 fastening screws are included.  
Form A mounting option for plate thickness 6 mm.  
Form B mounting option for plate thickness > 6 to 14 mm.

**Method of operation:**

Check that the rotary knob is in the „OFF“ position.  
Set the quarter-turn clamp lock in the premounted clamping plate.  
Turn the rotary knob to the „ON“ position.  
When fully clamped, a click sound is heard.

**Accessories:**

Clamping plates K1560

**Drawing reference:**

1) plate

### KIPP Quarter-turn clamp locks stainless steel, knob plastic or stainless steel

Order No.	Component material	Version 2	D	L	D1	D2	D3	D4	H	H1	H2	M	D5	D6	D7	D8	T	T1	T2
K1559.816	polyamide	pins steel	8	16,3	18	34	40	28	31,5	16	5,5	M03X0,5	18	35	6,5	3,4	6	6-20	2,5
K1559.8161	stainless steel	pins steel	8	16,3	18	34	40	28	31,5	16	5,5	M03X0,5	18	35	6,5	3,4	6	6-20	2,5

### KIPP Quarter-turn clamp lock, technical information

Order No.	Component material	Version 2	D	L	Clamping force N	Shearing force kN	Pullout force kN	Temperature resistance
K1559.816	polyamide	pins steel	8	16,3	400	4,8	1,6	≤130 °C / ≤200 °C
K1559.8161	stainless steel	pins steel	8	16,3	400	4,8	1,6	≤130 °C / ≤200 °C

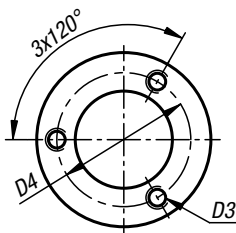
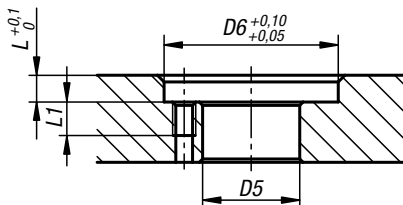
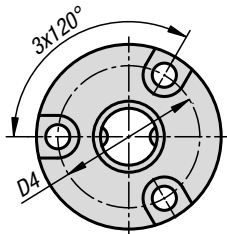
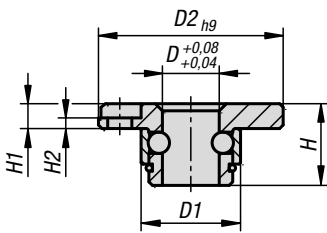


## Clamping plates steel

for quarter-turn clamp locks



Clamping plate recessed  
for plate thickness > 9 mm



**Material:**  
Housing steel.

**Version:**  
Housing nickel-plated.

**Sample order:**  
K1560.801

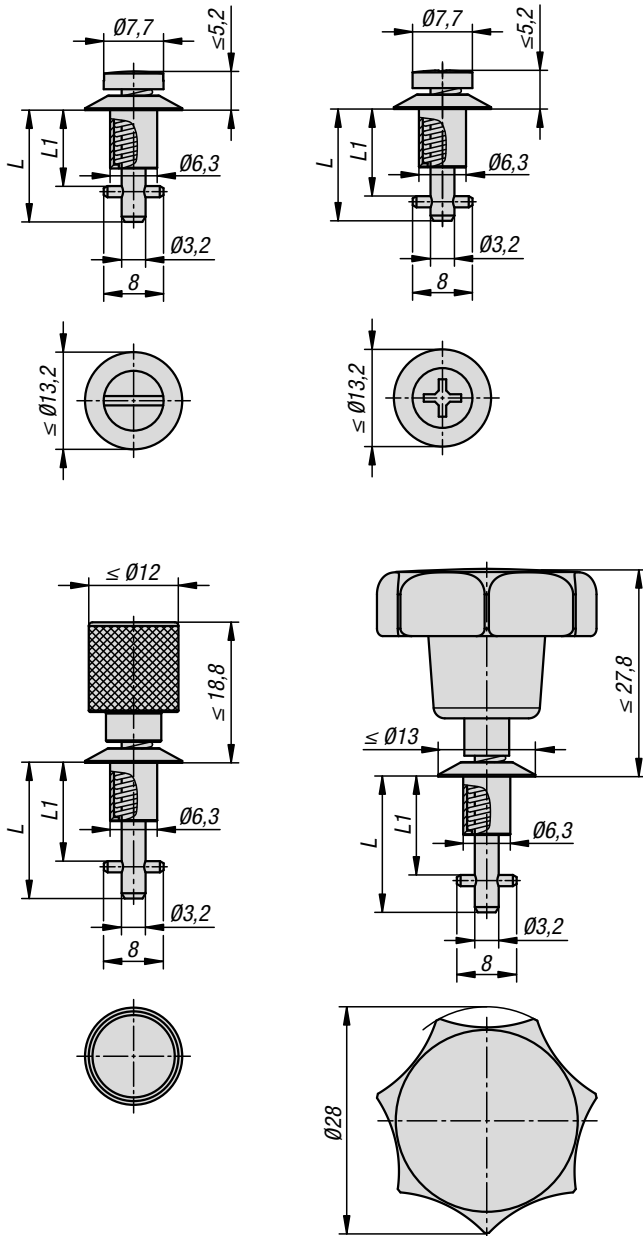
**Note:**  
Stainless steel M3 fastening screws are included.  
Mounting option for plate thickness starting from 9 mm.

**Accessories:**  
quarter-turn clamp lock K1559.

### KIPP Steel clamping plates for quarter-turn clamp locks

Order No.	D	D1	D2	D3	D4	D5	D6	H	H1	H2	L	L1
K1560.801	8	14	26	M3x0,5	20	14,5	26	11,5	3,5	1,5	4	5

## Quarter turn latches



$A = X1 + X2$

**Material:**

Steel.

**Version:**

Electro zinc-plated.

**Sample order:**

K1730.111090

**Note:**

Quarter-turn latches for securely holding and locking hatches, container lids, machine covers and similar. The lock is closed or opened by turning it through 90°. This moves the cross pin in the locking bolt through a curve in the bottom part of the lock, thus tensioning the spring. At the end point of the curve there is a little recess in which the cross pin engages. The pretensioning force generated in the lock by the spring ensures that the connection is held securely despite any vibrations.

All components in the locking system (locking bolt, retaining washer and bottom part) are captive components which are joined to the cover or the frame.

They are operated through a slot, cross slot, or without tools using a knurled knob or star grip.

The quarter turn latch always consists of a 1/4 turn lock, retaining washer and lock bottom part. (Please order the retaining washer and lock bottom part separately).

**Assembly:**

A hole of 8 mm is drilled through the cover, the bolt with cross pin are pushed through and secured to the retaining washer from the rear. A 13 mm centre hole is drilled in the frame, with two mounting holes which depend on the hole pattern in the bottom part.

**Accessories:**

Retaining washers K1731.

Lock bottom part K1732.

**Technical data:**

Maximum tractive force 1300 N.

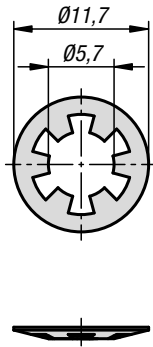


## KIPP Quarter turn latches

Order No. cross head	Order No. slot head	Order No. knurled head	Order No. with star grip	A	L	L1
K1730.111015	K1730.211015	K1730.311315	K1730.411315	0,75 - 1,50	14,95/14,95/18,15/18,15	10,15/10,15/13,15/13,15
K1730.111090	K1730.211090	K1730.311390	K1730.411390	1,50 - 2,25	14,95/14,95/18,15/18,15	10,9/10,9/13,9/13,9
K1730.111165	K1730.211165	K1730.311465	K1730.411465	2,25 - 3,00	14,95/14,95/18,15/18,15	11,65/11,65/14,65/14,65
K1730.111240	K1730.211240	K1730.311540	K1730.411540	3,00 - 3,75	17,2/17,2/20,4/20,4	12,4/12,4/15,4/15,4
K1730.111315	K1730.211315	K1730.311615	K1730.411615	3,75 - 4,50	17,2/17,2/20,4/20,4	13,15/13,15/16,15/16,15
K1730.111390	K1730.211390	K1730.311690	K1730.411690	4,50 - 5,25	17,2/17,2/20,4/20,4	13,9/13,9/16,9/16,9
K1730.111465	K1730.211465	K1730.311765	K1730.411765	5,25 - 6,00	19,45/19,45/22,65/22,65	14,65/14,65/17,65/17,65
K1730.111540	K1730.211540	K1730.311840	K1730.411840	6,00 - 6,75	19,45/19,45/22,65/22,65	15,4/15,4/18,4/18,4
K1730.111615	K1730.211615	K1730.311915	K1730.411915	6,75 - 7,50	19,45/19,45/22,65/22,65	16,15/16,15/19,15/19,15
K1730.111690	K1730.211690	K1730.311990	K1730.411990	7,50 - 8,25	21,7/21,7/24,9/24,9	16,9/16,9/19,9/19,9
K1730.111765	K1730.211765	K1730.312065	K1730.412065	8,25 - 9,00	21,7/21,7/24,9/24,9	17,65/17,65/20,65/20,65
K1730.111840	K1730.211840	K1730.312140	K1730.412140	9,00 - 9,75	21,7/21,7/24,9/24,9	18,4/18,4/21,4/21,4
K1730.111915	K1730.211915	K1730.312215	K1730.412215	9,75 - 10,50	23,95/23,95/27,15/27,15	19,15/19,15/22,15/22,15
K1730.111990	K1730.211990	K1730.312290	K1730.412290	10,50 - 11,25	23,95/23,95/27,15/27,15	19,9/19,9/22,9/22,9
K1730.112065	K1730.212065	K1730.312365	K1730.412365	11,25 - 12,00	23,95/23,95/27,15/27,15	20,65/20,65/23,65/23,65
K1730.112140	K1730.212140	K1730.312440	K1730.412440	12,00 - 12,75	26,2/26,2/29,4/29,4	21,4/21,4/24,4/24,4
K1730.112215	K1730.212215	K1730.312515	K1730.412515	12,75 - 13,50	26,2/26,2/29,4/29,4	22,15/22,15/25,15/25,15
K1730.112290	K1730.212290	K1730.312590	K1730.412590	13,50 - 14,25	26,2/26,2/29,4/29,4	22,9/22,9/25,9/25,9
K1730.112365	K1730.212365	K1730.312665	K1730.412665	14,25 - 15,00	28,45/28,45/31,65/31,65	23,65/23,65/26,65/26,65
K1730.112440	K1730.212440	K1730.312740	K1730.412740	15,00 - 15,75	28,45/28,45/31,65/31,65	24,4/24,4/27,4/27,4
K1730.112515	K1730.212515	K1730.312815	K1730.412815	15,75 - 16,50	28,45/28,45/31,65/31,65	25,15/25,15/28,15/28,15
K1730.112590	K1730.212590	K1730.312890	K1730.412890	16,50 - 17,25	30,7/30,7/33,9/33,9	25,9/25,9/28,9/28,9
K1730.112665	K1730.212665	K1730.312965	K1730.412965	17,25 - 18,00	30,7/30,7/33,9/33,9	26,65/26,65/29,65/29,65
K1730.112740	K1730.212740	K1730.313040	K1730.413040	18,00 - 18,75	30,7/30,7/33,9/33,9	27,4/27,4/30,4/30,4
K1730.112815	K1730.212815	K1730.313115	K1730.413115	18,75 - 19,50	32,95/32,95/36,15/36,15	28,15/28,15/31,15/31,15
K1730.112890	K1730.212890	K1730.313190	K1730.413190	19,50 - 20,25	32,95/32,95/36,15/36,15	28,9/28,9/31,9/31,9
K1730.112965	K1730.212965	K1730.313265	K1730.413265	20,25 - 21	32,95/32,95/36,15/36,15	29,65/29,65/32,65/32,65

## Retaining washers

for quarter turn latches



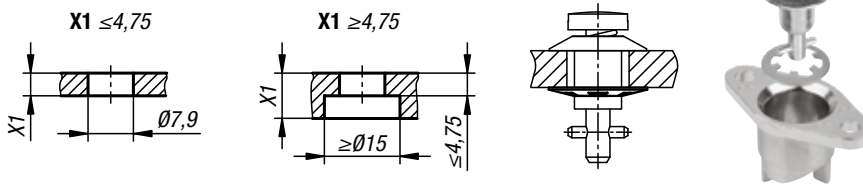
**Material:**  
Spring steel

**Version:**  
Electro zinc-plated.

**Sample order:**  
K1731.06

**Note:**  
Retaining washer for fastening the locking pin. This keeps the locking pin joined captively to the cover.

**Accessories:**  
Quarter turn latches K1730.



### KIPP Retaining washers for quarter turn latches

Order No.	Item	for Art. No.
K1731.06	Retaining washer	K1730

# K1732

## Lock bottom parts

for quarter turn latches



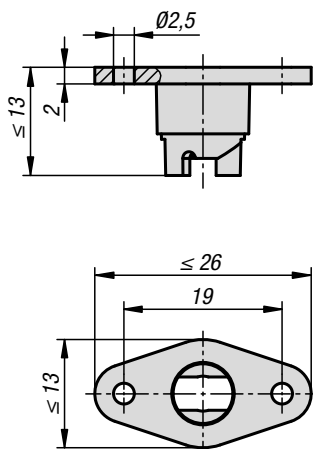
**Material:**  
Die-cast zinc.

**Version:**  
nickel-plated.

**Sample order:**  
K1732.06

**Note:**  
The lock bottom part can be either screwed or riveted to the frame.

**Accessories:**  
Quarter turn latches K1730.

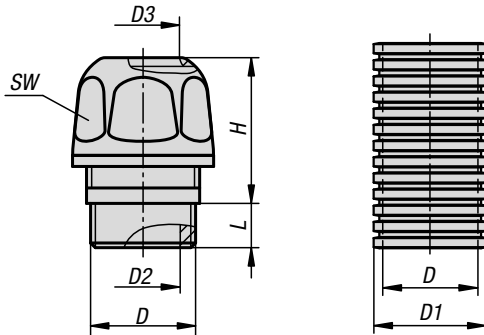


### KIPP Lock bottom parts for quarter turn latches

Order No.	Item	for Art. No.
K1732.06	Lock bottom part	K1730

## Cable glands, stainless steel or plastic

in Hygienic DESIGN



**Material:**

Stainless steel cable gland: Outer part 1.4404 Inner part 1.4305  
 Plastic cable gland: Polyamide. Cable gland seal: TPU.  
 Hose: Polyamide.

**Version:**

Cable gland: bright stainless steel, transparent plastic.  
 Hose: coated

**Sample order:**

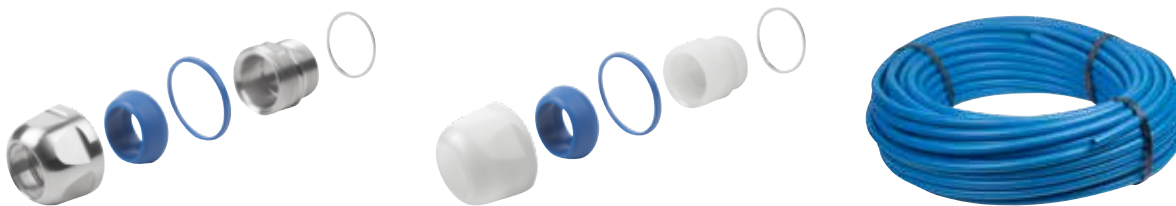
K1453.12150

**Note:**

Washers supplied.  
 EN 60423 metric thread.  
 IP rating 66, 68 up to 15 bar, 69K.  
 Tension relief corresponds to EU standard 62444.  
 EHEDG certified.  
 Seal insert ADI - free

**Temperature range:**

Stainless steel cable gland: -40 °C to +85 °C.  
 Plastic cable gland: -20 °C to +85 °C.  
 Hose: -20 °C to +95 °C.



### KIPP Cable glands, stainless steel or plastic, in Hygienic DESIGN

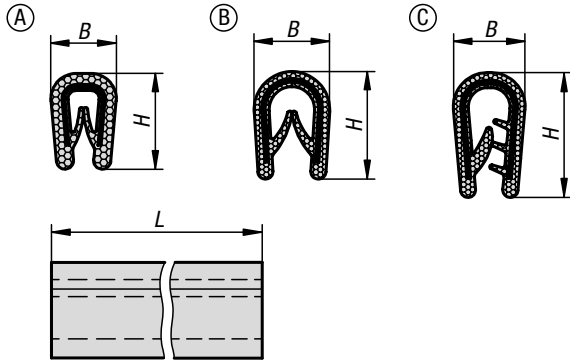
Order No. stainless steel	Order No. plastic	D	D2	D3	H	SW	L
K1453.12150	-	M12X1,5	8	7-5	19	17	7
K1453.16150	K1453.16151	M16x1,5	10	9-7	21/25	20/22	9
K1453.20150	K1453.20151	M20X1,5	12,5	12-9	27/29	24/26	9
K1453.25150	K1453.25151	M25x1,5	18,5	18-15	27/31	30/32	10
K1453.32150	K1453.32151	M32x1,5	25,3	23-20	27/32	36/38	11

### KIPP Corrugated tube hose

Order No.	D	D1	L	Nominal size
K1461.1250	11,8	16	50 m	12
K1461.1750	15,6	21,6	50 m	17

## Edge protection profiles

with steel retaining strip



**Material:**  
PVC.

**Version:**  
Black.

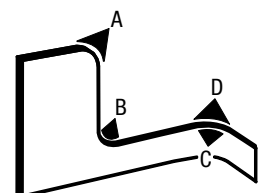
**Sample order:**  
K1367.010X2000  
(include length L)

**Note:**  
The edge protection profiles are used to cover and decorate the sharp edges of cut plate so that no additional processing is required.

**Assembly:**  
Easy, quick and smooth assembly. The edge protection profile is easy to push on by hand, and remains in place even on radii or bends. No adhesive or fastening material required.

**On request:**  
Other lengths.

Minimum bend radius:

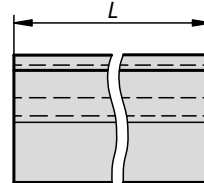
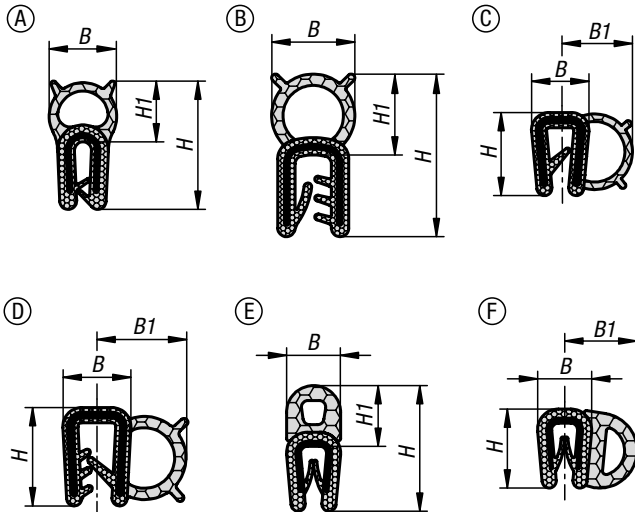


### KIPP Edge protection profiles with steel retaining strip

Order No.	Form	L	Clamping range mm	Minimum bend radius mm	B	H
K1367.010X	A	2000/5000/10000/20000/50000	1,0-2,0	A=15 B=15 C=10 D=10	6,5	10
K1367.114X	B	2000/5000/10000/20000/50000	1,0-4,0	A=30 B=20 C=20 D=20	10	14,5
K1367.217X	C	2000/5000/10000/20000/50000	4,0-6,0	A=50 B=40 C=30 D=30	11	15,8

## Edge protection profiles

with integrated steel wire core



**Material:**

Edge protection EPDM or PVC.  
Seal EPDM foam rubber.

**Version:**

Black.

**Sample order:**

K1368.015X2000  
(include length L)

**Note:**

In addition to edge protection, these profiles also provide a sealing function against moisture, dust and dirt for other elements such as doors, hatches or housing covers. Depending on the shape of the foam rubber profile, they can be used in a wide range of applications.

We recommend compressing the sealing lip of the edge protection by max.50%.

To ensure the best possible seal, the lips should be compressed by 30-40%.

These specifications are recommendations; in practice, they are individually dependent on the application and the parts used.

The sizes edge protection profiles made from EPDM are UL50, UL50E and UL94HB certified.

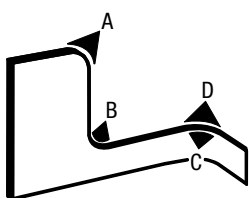
**Assembly:**

Easy, quick and smooth assembly. The edge protection profile is easy to push on by hand and remains in place. No adhesive or fastening material required.

**On request:**

Other lengths.

Minimum bend radius:



### KIPP Edge protection sealing profiles with integrated steel wire core

Order No.	Form	Main material	L	Clamping range mm	Minimum bend radius mm	B	B1	H	H1
K1368.015X	A	EPDM	2000/5000/10000/20000/50000	0,5-1,5	A=50 B=180 C=25 D=25	8	-	15	7
K1368.122X	B	EPDM	2000/5000/10000/20000/50000	1,0-3,0	A=50 B=180 C=30 D=30	11	-	22	11
K1368.211X	C	EPDM	2000/5000/10000/20000/50000	1,0-2,0	A=100 B=200 C=100 D=60	8	9	11	-
K1368.313X	D	EPDM	2000/5000/10000/20000/50000	2,0	A=50 B=20 C=120 D=40	9	12	13	-
K1368.415X	E	PVC	2000/5000/10000/20000/50000	1,0-2,0	A=20 B=40 C=10 D=10	6,5	-	15	7
K1368.510X	F	PVC	2000/5000/10000/20000/50000	1,0-2,0	A=20 B=15 C=30 D=30	7	9	10	-