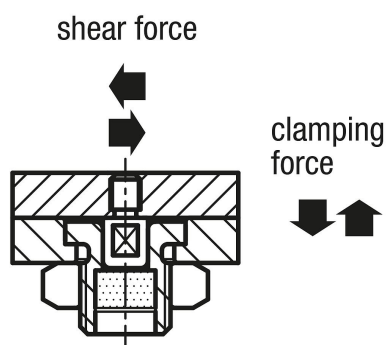
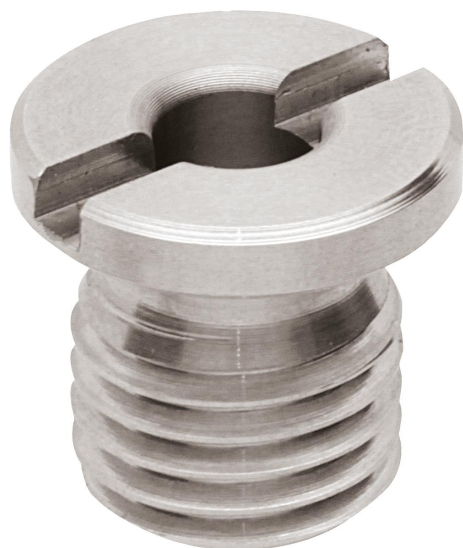
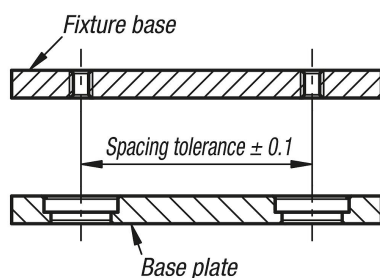


Magnetic bushes

Item description/product images



Recommended installation tolerances:



Description

Material:

Housing stainless steel.

Magnet neodymium.

Version:

Housing bright.

Note:

A magnet in the bush attracts the pin (K1069) and holds it with the specified retaining force.

Repeat accuracy ± 0.25 . The repeat accuracy can be increased with the aid of additional locating pins.

Installation dimensions for Form A:

min. plate thickness 6 mm.

Installation dimensions for Form B:

max. plate thickness 10 mm.

Installation dimensions for Form C:

plate thickness > 10 mm.

Installation dimensions for Form D:

blind hole.

On request:

Suitable nuts.

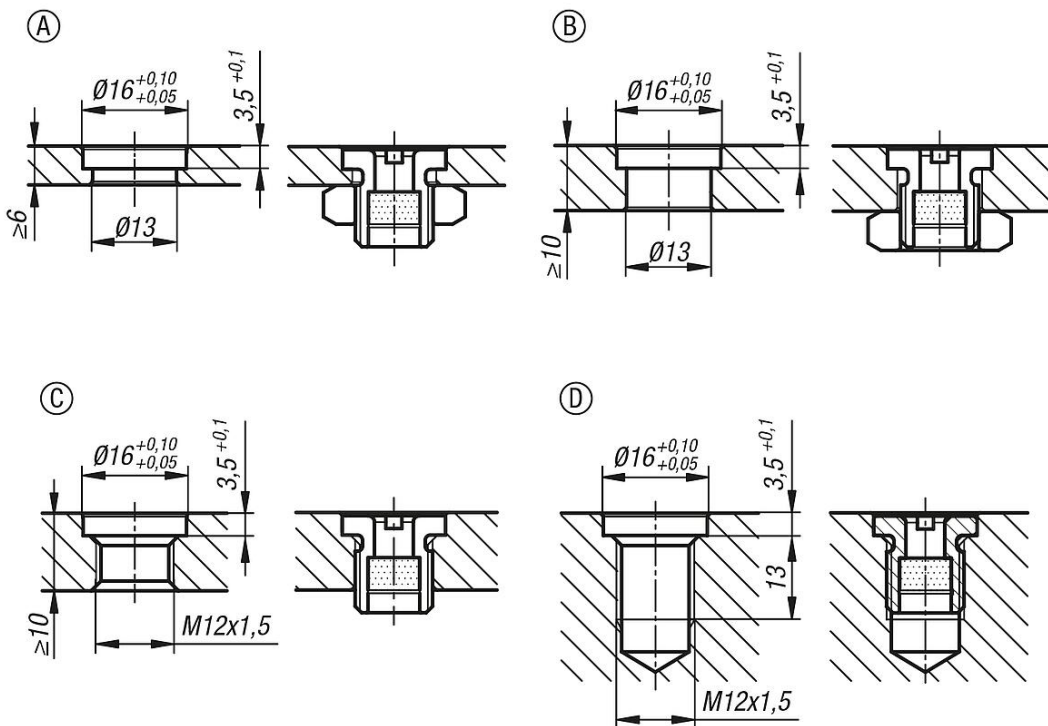
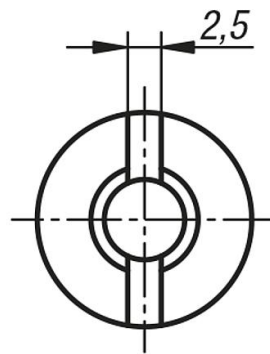
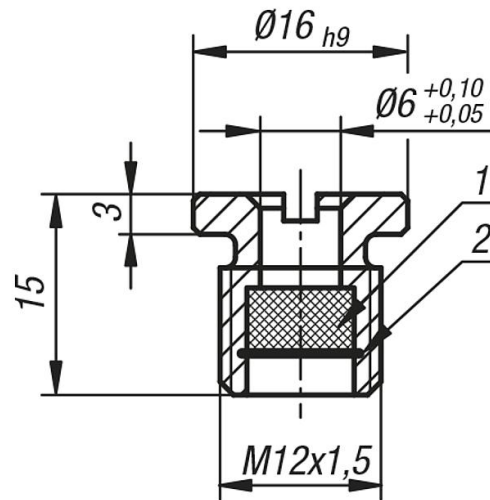
Accessory:

Pin K1069

Drawing reference:

1) magnet

2) circlip



Magnetic bushes

Overview of items

Magnetic bushes

Order No.	Clamping force N	Shearing force kN	Temperature resistance
K1068.6	7	0,8	≤80 °C