

Clamping levers, die-cast zinc, flat with internal thread, threaded insert black oxidised steel

Item description/product images



lift to
disengage



Description

Material:

Handle die-cast zinc DIN EN 12844.

Steel parts grade 5.8.

Version:

Handle powder-coated.

Steel parts black oxidised.

Note:

Standard colours are:

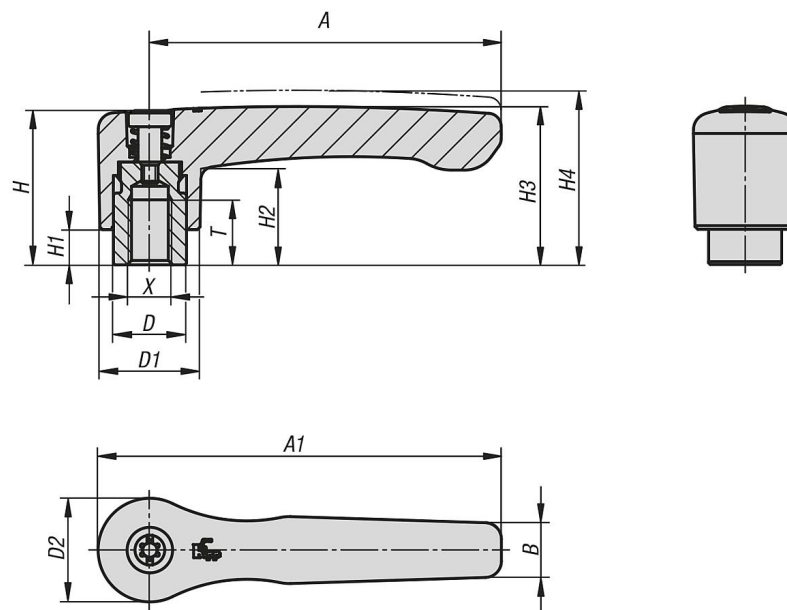
orange RAL 2004.

On request:

Other threads, colours and special versions.

Dimension "H1" available in other lengths at extra charge.

Drawings



Overview of items

Clamping levers, flat with internal thread

Clamping levers, die-cast zinc, flat with internal thread, threaded insert black oxidised steel

Overview of items

Order No.	Main colour	Surface finish body	Size	X	T	D	D1	D2	H	H1	H2	H3	H4	A	A1	B	No. of teeth
K0737.2062	orange RAL 2004	plastic-coated	2	M6	12	13,5	18,5	19,1	28,5	6,5	17,8	29,2	32,2	65	74,5	10,1	20
K0737.2082	orange RAL 2004	plastic-coated	2	M8	12	13,5	18,5	19,1	28,5	6,5	17,8	29,2	32,2	65	74,5	10,1	20
K0737.3082	orange RAL 2004	plastic-coated	3	M8	14	16	21,2	22	37	10	23,8	38	42	80	91	11,7	22
K0737.3102	orange RAL 2004	plastic-coated	3	M10	14	16	21,2	22	37	10	23,8	38	42	80	91	11,7	22