

Pull handles, rectangular plastic

Item description/product images



Description

Material:
Thermoset FS 31.
Threaded insert steel.

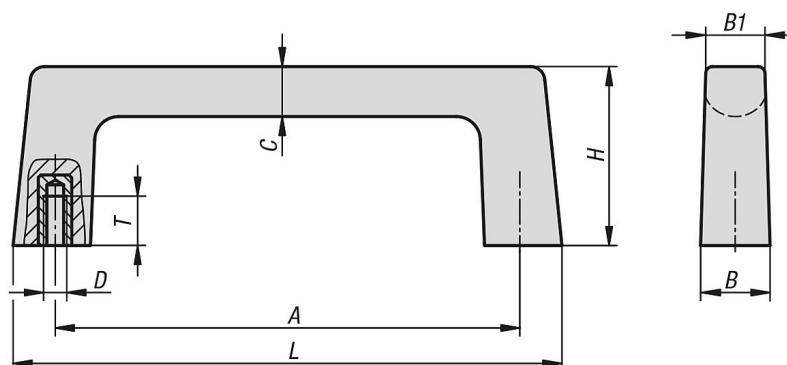
Version:
Black.

Note for ordering:
Fastening screws included.

Note:
Load rating max. 500 N.

Assembly:
From the rear.

Drawings



Overview of items

| Order No. | Main material | A | B | B1 | C | D | H | L | T | Load capacity N |
|-------------|---------------|-----|----|----|----|----|----|-----|----|-----------------|
| K1074.11005 | duroplast | 110 | 16 | 14 | 12 | M5 | 42 | 130 | 10 | 500 |