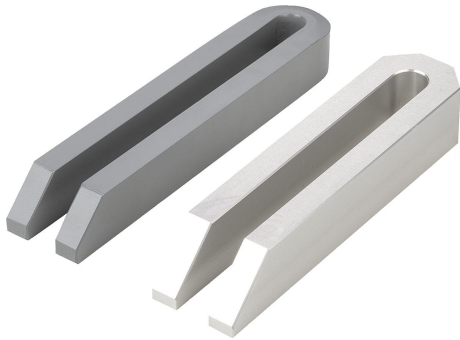


Clamp straps open U DIN 6315, steel or aluminium

Item description/product images



Description

Material:

Carbon steel or EN AW-7022.

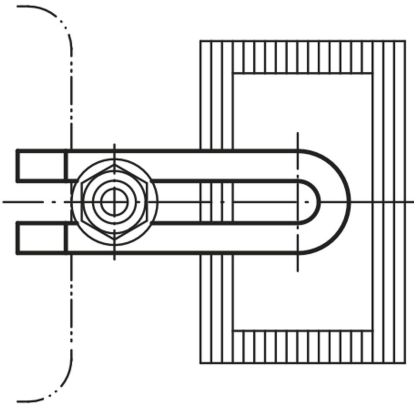
Version:

Steel painted.

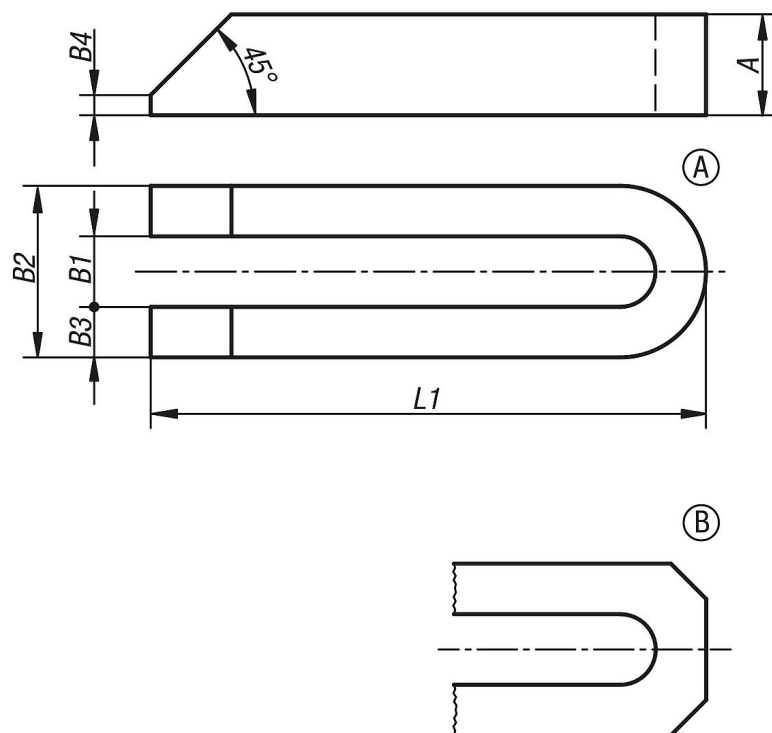
Aluminium bright.

Note:

When using spherical washers use the wide series K0729 Form G.



Drawings



Overview of items

Clamp straps open U DIN 6315, steel or aluminium

Overview of items

Clamp straps open-U DIN 6315, steel or aluminium

| Order No. | Main material | Form | L1 | A | B1 | B2 | B3 | B4 | for screw |
|------------|-------------------|------|-----|----|-----|-----|----|----|-----------|
| K1952.06 | high carbon steel | A | 60 | 12 | 6,6 | 18 | 6 | 3 | M6 |
| K1952.08 | high carbon steel | A | 80 | 15 | 9 | 25 | 8 | 4 | M8 |
| K1952.10 | high carbon steel | A | 100 | 20 | 11 | 31 | 10 | 5 | M10 |
| K1952.12 | high carbon steel | A | 125 | 25 | 14 | 38 | 12 | 6 | M12/M14 |
| K1952.121 | high carbon steel | A | 160 | 25 | 14 | 38 | 12 | 6 | M12/M14 |
| K1952.122 | high carbon steel | A | 200 | 25 | 14 | 38 | 12 | 6 | M12/M14 |
| K1952.16 | high carbon steel | A | 160 | 30 | 18 | 48 | 15 | 8 | M16/M18 |
| K1952.161 | high carbon steel | A | 200 | 30 | 18 | 48 | 15 | 8 | M16/M18 |
| K1952.162 | high carbon steel | A | 250 | 40 | 18 | 48 | 15 | 10 | M16/M18 |
| K1952.20 | high carbon steel | A | 200 | 40 | 22 | 52 | 15 | 10 | M20/M22 |
| K1952.201 | high carbon steel | A | 250 | 40 | 22 | 62 | 20 | 10 | M20/M22 |
| K1952.202 | high carbon steel | A | 315 | 40 | 22 | 62 | 20 | 10 | M20/M22 |
| K1952.24 | high carbon steel | A | 200 | 40 | 26 | 66 | 20 | 10 | M24 |
| K1952.241 | high carbon steel | A | 250 | 40 | 26 | 66 | 20 | 10 | M24 |
| K1952.242 | high carbon steel | A | 315 | 40 | 26 | 66 | 20 | 10 | M24 |
| K1952.301 | high carbon steel | A | 250 | 50 | 33 | 73 | 20 | 12 | M30/M32 |
| K1952.30 | high carbon steel | A | 315 | 50 | 33 | 73 | 20 | 12 | M30/M32 |
| K1952.302 | high carbon steel | A | 400 | 50 | 33 | 73 | 20 | 12 | M30/M32 |
| K1952.40 | high carbon steel | A | 400 | 60 | 40 | 100 | 30 | 12 | M36 |
| K1952.401 | high carbon steel | A | 600 | 60 | 40 | 100 | 30 | 12 | M36 |
| K1952.206 | aluminium | B | 60 | 12 | 7 | 19 | 6 | 3 | M6 |
| K1952.208 | aluminium | B | 80 | 15 | 9 | 25 | 8 | 4 | M8 |
| K1952.210 | aluminium | B | 100 | 20 | 11 | 31 | 10 | 5 | M10 |
| K1952.212 | aluminium | B | 125 | 25 | 14 | 38 | 12 | 6 | M12/M14 |
| K1952.2121 | aluminium | B | 160 | 28 | 14 | 38 | 12 | 6 | M12/M14 |
| K1952.216 | aluminium | B | 160 | 30 | 18 | 48 | 15 | 8 | M16/M18 |
| K1952.2161 | aluminium | B | 200 | 36 | 18 | 48 | 15 | 8 | M16/M18 |
| K1952.220 | aluminium | B | 200 | 40 | 22 | 52 | 15 | 10 | M20/M22 |
| K1952.2201 | aluminium | B | 250 | 40 | 22 | 62 | 20 | 10 | M20/M22 |
| K1952.224 | aluminium | B | 200 | 40 | 26 | 66 | 20 | 10 | M24 |
| K1952.2241 | aluminium | B | 250 | 40 | 26 | 66 | 20 | 10 | M24 |
| K1952.230 | aluminium | B | 315 | 50 | 34 | 74 | 20 | 12 | M30/M32 |