

Handwheels disc stainless steel with revolving grip

Item description/product images



Description

Material:

Stainless steel 1.4301.

Version:

Turned, bright.

Hub is centre bored.

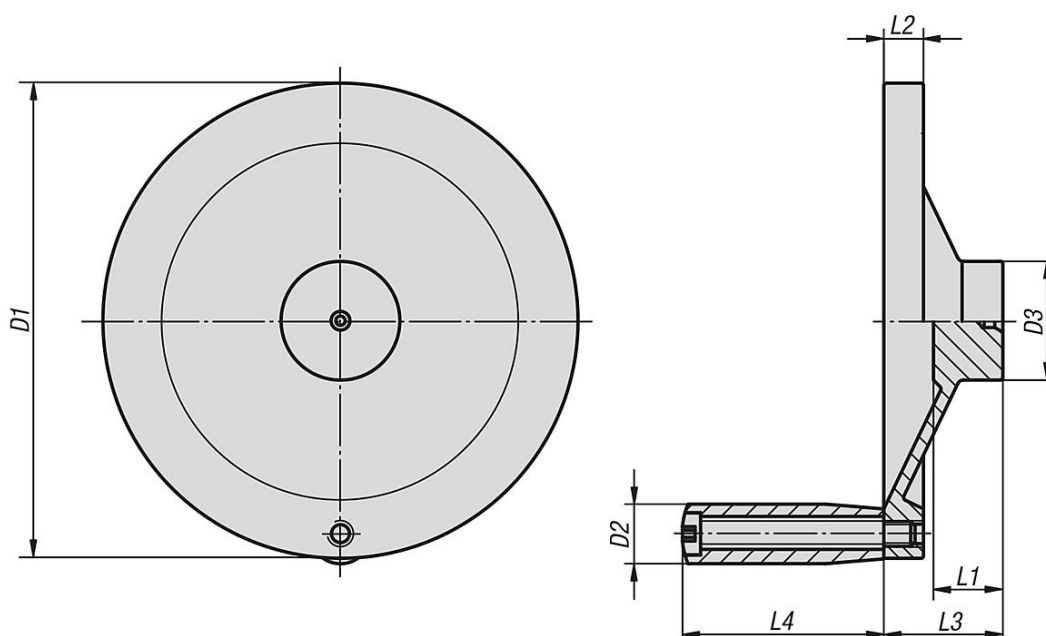
On request:

Stainless steel 1.4401.

Stainless steel 1.4404.

Stainless steel 1.4571.

Drawings



Overview of items

Handwheels disc stainless steel, with revolving grip

Order No.	D1	D2	D3	L1	L2	L3	L4
K1307.4076X00	76,2	9,91	22,1	17,02	6,1	27,9	37,9
K1307.4101X00	101,6	11,94	25,9	18,03	7,87	31,7	39,88
K1307.4152X00	152,4	19,05	38,1	22,1	12,7	38,1	63,5
K1307.4203X00	203,2	22,1	45,7	24,13	14,22	45,7	76,2
K1307.4254X00	254	22,1	50,8	26,67	15,75	50,8	76,2

