

Clamping technology | Standard elements | Operating parts

HEINRICH KIPP WERK



SNAP LOCKS



+49 7454 793-0



+49 7454 793-33



export@kipp.com



www.kipp.com

OVERVIEW

Product information	4, 6
Areas of use	5
Application examples	7

PRODUCTS

Snap locks, plastic with fold-down grip	8
Plastic snap-in snap locks with grip	10
Snap locks, plastic with knob	12
Snap locks, plastic with twist knob	14



Reg. No. 002081 QM



SERVICE HOURS

MONDAY-THURSDAY	07.00 - 17.30
FRIDAY	07.00 - 15.30

Snap locks for secure latching

The simple operating principle make snap locks ideal for all applications where it should be ensured that doors etc. are securely held closed. This type of reliable latching is also an ideal choice for environments where conventional latching mechanisms could unintentionally reopen due to sudden movements or vibrations - such as high waves in maritime applications or during the abrupt acceleration and braking that occurs with vehicles. But snap locks are also required in the packaging industry, medical technology and the automotive sectors.

These plastic products are easy to install and the flush installation makes them particularly space-saving.

KIPP has snap locks with fold-down grips and snap-in versions in its range.

The former models are available in four variants for door leaf thicknesses from 2 to 22 mm and lockable versions. Spring loading prevents „rattling“ during use.

The snap-in locks are optimal where space is limited; they are intended for thin doors with thicknesses of 0.6 to 1 mm and can be installed without tools.

Additionally, KIPP offers snap locks with recessed knobs for door thicknesses of 1.2 mm to 19 mm - these are locks where the knob pops out when pressed. Some models have a twist knob, which lends additional security: The user must first turn the knob before the door can be pulled open.



AREAS OF USE



Medical technology



Packaging technology



Automotive



Control cabinets / Switchboxes



Ship / Boat building



Aeronautics / Aerospace



Furniture industry



Campers / Caravans

K1651 Snap locks, plastic with fold-down grip

- Quick and easy to use
- Lockable versions for additional security
- Recessed grip
- Door leaf thicknesses of 2 mm – 22 mm
- Colours: black, white, beige and black with chromed grip



K1652 Plastic snap-in snap locks with grip



- Quick and easy installation without tools
- Optimal for where space is limited
- Suitable for thin doors
- Door leaf thicknesses of 0.6 mm – 1 mm
- Colour: black

K1653 Snap locks, plastic with knob

- Pull the knob to open
- Recessed knob
- Door leaf thicknesses of 1.2 mm – 19 mm
- Colours: black, white, beige and chromed

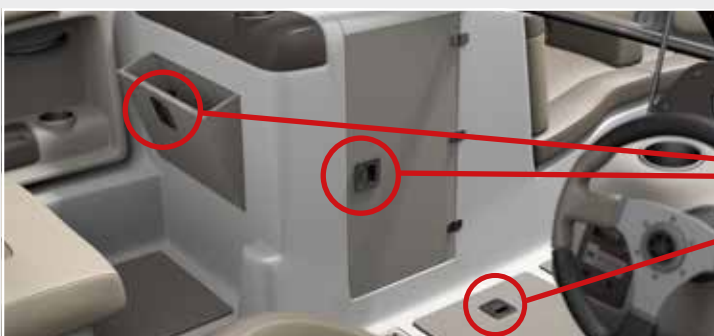
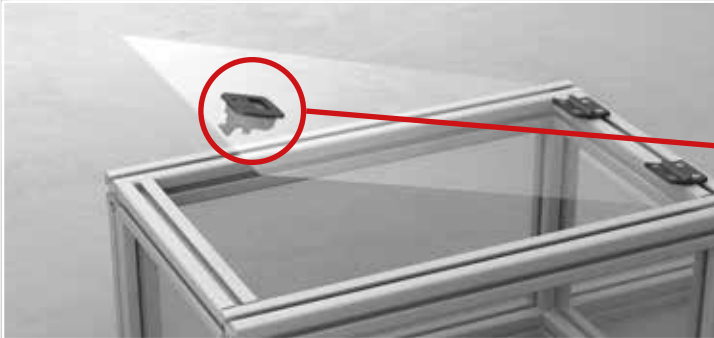
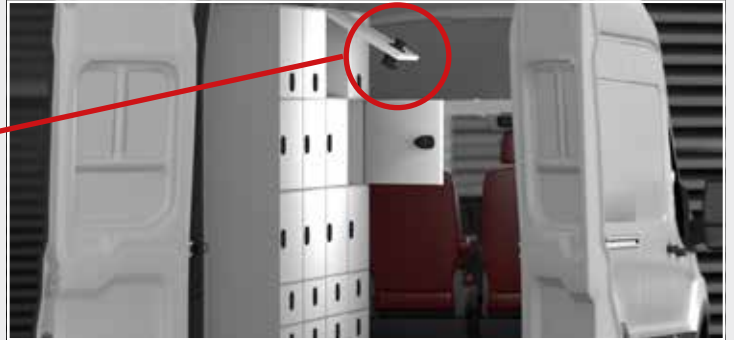
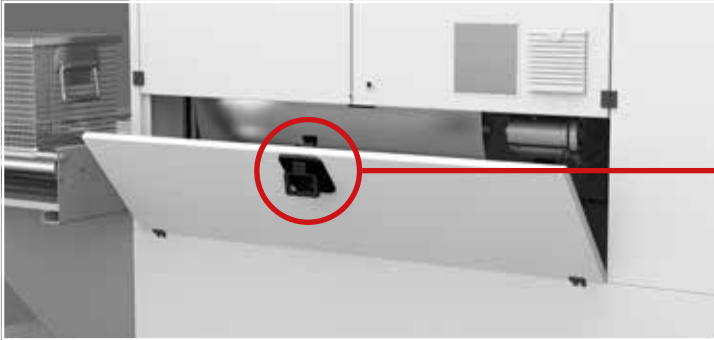


K1654 Snap locks, plastic with twist knob



- Twist the knob to open
- Twist knob gives additional security
- Recessed knob
- Door leaf thicknesses of 1.2 mm – 19 mm
- Colours: black, white, beige and chromed

APPLICATION EXAMPLES



Snap locks, plastic with fold-down grip



Material:
PC/ABS.

Version:
Housing black, white or beige.
Grip black, chromed, white or beige.

Sample order:
K1651.2102356000

Note:
The fold-down grips enable these snap locks to be installed flush into doors, hatches or panels.
Available in different sizes for different door leaf thicknesses.
Additional security with lockable variants.
The spring-loaded grip prevents rattling.

Flammability (plastic version): listed UL94-HB.
Max. torque to tighten the screws: 2 Nm.

Form A: lockable
Form B: not lockable

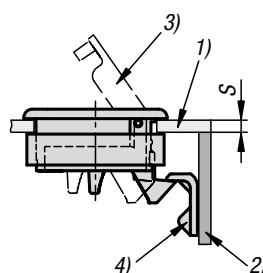
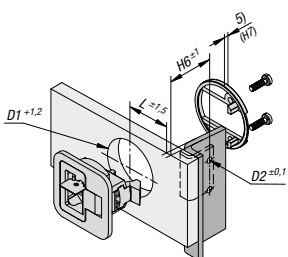
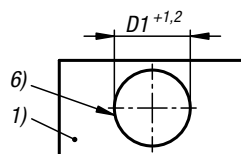
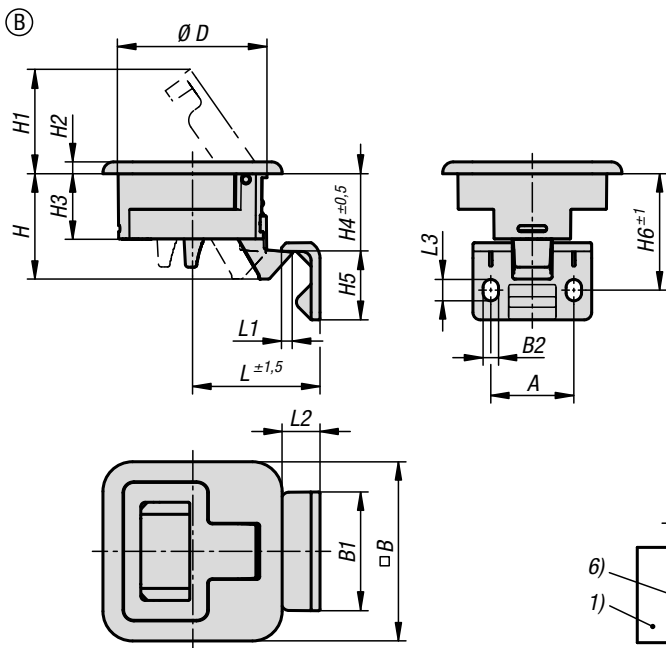
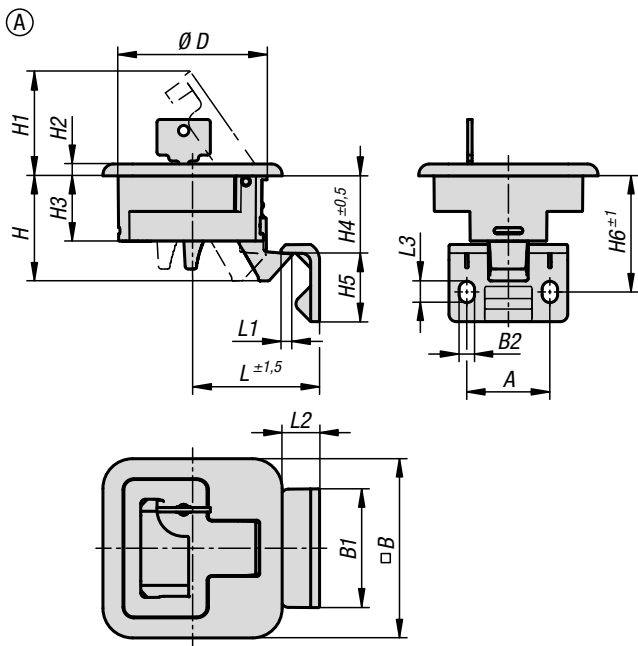
Method of operation:
When the grip is pulled, the latch retracts and the door can be opened. The door latches automatically when pushed shut. The latch can also be actuated from the rear.

Application:
- Automobile industry
- Medical technology
- Machine construction
- Boat and ship building
- Aviation and aerospace
- Furniture industry

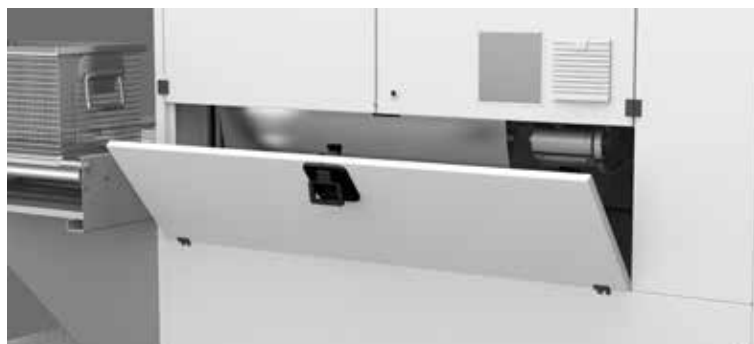
Assembly:
1. Produce a mounting cutout as shown in the drawing.
2. Attach the catch plate.
3. Secure from the rear using the mounting parts supplied.

Supplied with:
Mounting bracket with M5 screws and catch plate.
The lockable snap locks are each supplied with 2 keys.
M5 screws for the catch plate are not supplied.

Drawing reference:
1) Door leaf
2) Frame
3) Grip
4) Catch plate
5) Mounting bracket thickness (see Table H7)
6) Mounting cutout



Snap locks, plastic with fold-down grip

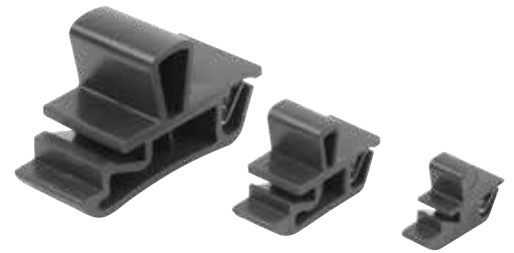


KIPP Snap locks, plastic with fold-down grip

Order No. Form A lockable	Order No. Form B not lockable	Main colour	Component colour	A	B	B1	B2	D	D1	D2	H	H1	H2	H3	H4	H5
K1651.2102356000	K1651.2002356000	black	black	28	60	40	5,2	50	50	5,5	35,41/35,5	35	4	22	26,1/26,2	23
K1651.2107356000	K1651.2007356000	black	black	28	60	40	5,2	50	50	5,5	35,41/35,5	35	4	22	26,1/26,2	23
K1651.2112356000	K1651.2012356000	black	black	28	60	40	5,2	50	50	5,5	35,41/35,5	35	4	22	26,1/26,2	23
K1651.2117356000	K1651.2017356000	black	black	28	60	40	5,2	50	50	5,5	35,41/35,5	35	4	22	26,1/26,2	23
K1651.2102356022	K1651.2002356022	white	white	28	60	40	5,2	50	50	5,5	35,41/35,5	35	4	22	26,1/26,2	23
K1651.2107356022	K1651.2007356022	white	white	28	60	40	5,2	50	50	5,5	35,41/35,5	35	4	22	26,1/26,2	23
K1651.2112356022	K1651.2012356022	white	white	28	60	40	5,2	50	50	5,5	35,41/35,5	35	4	22	26,1/26,2	23
K1651.2117356022	K1651.2017356022	white	white	28	60	40	5,2	50	50	5,5	35,41/35,5	35	4	22	26,1/26,2	23
K1651.2102356033	K1651.2002356033	beige	beige	28	60	40	5,2	50	50	5,5	35,41/35,5	35	4	22	26,1/26,2	23
K1651.2107356033	K1651.2007356033	beige	beige	28	60	40	5,2	50	50	5,5	35,41/35,5	35	4	22	26,1/26,2	23
K1651.2112356033	K1651.2012356033	beige	beige	28	60	40	5,2	50	50	5,5	35,41/35,5	35	4	22	26,1/26,2	23
K1651.2117356033	K1651.2017356033	beige	beige	28	60	40	5,2	50	50	5,5	35,41/35,5	35	4	22	26,1/26,2	23
K1651.2102356001	K1651.2002356001	black	chromed	28	60	40	5,2	50	50	5,5	35,41/35,5	35	4	22	26,1/26,2	23
K1651.2107356001	K1651.2007356001	black	chromed	28	60	40	5,2	50	50	5,5	35,41/35,5	35	4	22	26,1/26,2	23
K1651.2112356001	K1651.2012356001	black	chromed	28	60	40	5,2	50	50	5,5	35,41/35,5	35	4	22	26,1/26,2	23
K1651.2117356001	K1651.2017356001	black	chromed	28	60	40	5,2	50	50	5,5	35,41/35,5	35	4	22	26,1/26,2	23

Order No. Form A lockable	Order No. Form B not lockable	Component colour	H6	H7	L	L1	L2	L3	Max. operating load in N	Temperature range °C	S = Door thickness in mm	Screws
K1651.2102356000	K1651.2002356000	black	39,2	14	42,9	3,8	12,7	7,2	270	-30 to 60	2-7	M5X16
K1651.2107356000	K1651.2007356000	black	39,2	14	42,9	3,8	12,7	7,2	270	-30 to 60	7-12	M5X20
K1651.2112356000	K1651.2012356000	black	39,2	3,8	42,9	3,8	12,7	7,2	270	-30 to 60	12-17	M5X16
K1651.2117356000	K1651.2017356000	black	39,2	3,8	42,9	3,8	12,7	7,2	270	-30 to 60	17-22	M5X20
K1651.2102356022	K1651.2002356022	white	39,2	14	42,9	3,8	12,7	7,2	270	-30 to 60	2-7	M5X16
K1651.2107356022	K1651.2007356022	white	39,2	14	42,9	3,8	12,7	7,2	270	-30 to 60	7-12	M5X20
K1651.2112356022	K1651.2012356022	white	39,2	3,8	42,9	3,8	12,7	7,2	270	-30 to 60	12-17	M5X16
K1651.2117356022	K1651.2017356022	white	39,2	3,8	42,9	3,8	12,7	7,2	270	-30 to 60	17-22	M5X20
K1651.2102356033	K1651.2002356033	beige	39,2	14	42,9	3,8	12,7	7,2	270	-30 to 60	2-7	M5X16
K1651.2107356033	K1651.2007356033	beige	39,2	14	42,9	3,8	12,7	7,2	270	-30 to 60	7-12	M5X20
K1651.2112356033	K1651.2012356033	beige	39,2	3,8	42,9	3,8	12,7	7,2	270	-30 to 60	12-17	M5X16
K1651.2117356033	K1651.2017356033	beige	39,2	3,8	42,9	3,8	12,7	7,2	270	-30 to 60	17-22	M5X20
K1651.2102356001	K1651.2002356001	chromed	39,2	14	42,9	3,8	12,7	7,2	270	-30 to 60	2-7	M5X16
K1651.2107356001	K1651.2007356001	chromed	39,2	14	42,9	3,8	12,7	7,2	270	-30 to 60	7-12	M5X20
K1651.2112356001	K1651.2012356001	chromed	39,2	3,8	42,9	3,8	12,7	7,2	270	-30 to 60	12-17	M5X16
K1651.2117356001	K1651.2017356001	chromed	39,2	3,8	42,9	3,8	12,7	7,2	270	-30 to 60	17-22	M5X20

Plastic snap-in snap locks with grip



Material:
Lock PC/ABS.
Spring: stainless steel 1.4310.

Version:
Lock black.
Spring bright.

Sample order:
K1652.215090

Note:
Snap locks are designed for installation in doors, hatches and covers.
Available in different sizes for different door leaf thicknesses.

Flammability: listed UL94-HB.

Method of operation:

When the grip is pressed down, the latch retracts and the door can be opened. When the door is pushed to, a spring automatically latches it shut.

Application:

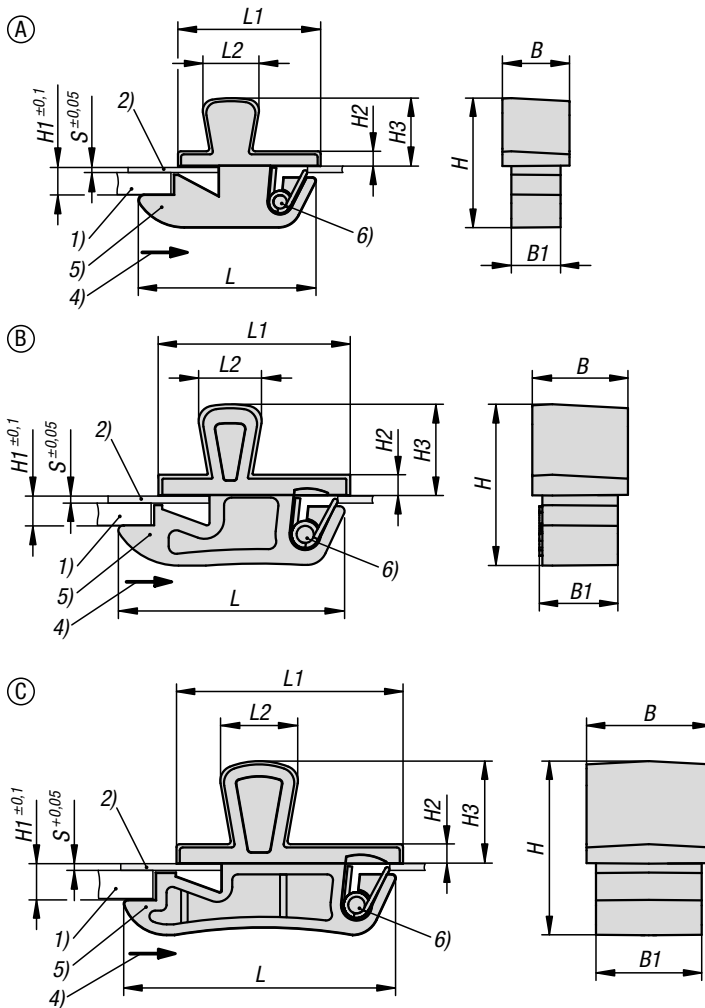
- Automobile industry
- Medical technology
- Machine construction
- Equipment construction
- Industrial control cabinets

Assembly:

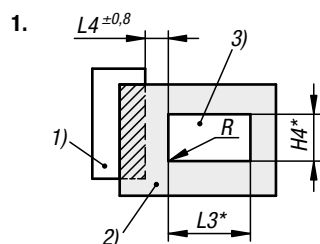
1. Produce a burr-free mounting cutout as shown in the drawing.
2. Insert the lock into the cutout from the front and push forwards.
3. Press the lock down to clip in.

Drawing reference:

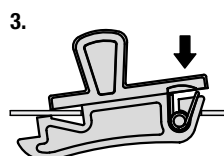
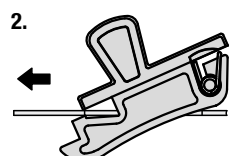
- 1) Frame
- 2) Door leaf
- 3) Mounting cutout
- 4) Actuation direction
- 5) Lock
- 6) Spring

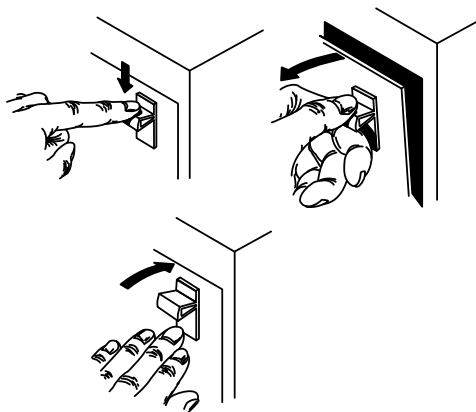


Assembly:



* Tolerances:
Form A: H4 ± 0.05
L3 ± 0.05
Form B: H4 ± 0.05
L3 ± 0.1
Form C: H4 ± 0.1
L3 ± 0.1





KIPP Plastic snap-in snap locks with grip

Order No.	Form	B	B1	H	H1 = Total holding area	H2	H3	H4	L	L1	L2	L3	L4	R	Max. operating load in N	Temperature range °C	S = Door thickness in mm
K1652.211060	A	6	4,4	11,6	2,2	1,3	6,1	4,57	15,9	12,75	5	8,33	4,8	max. 0,1	25	-40 to 60	0,6
K1652.215090	B	9,5	7,8	15,5	2,65	2,1	9,1	8,2	22,5	19,05	6,3	12,7	6,4	max. 0,1	90	-40 to 60	0,8
K1652.222160	C	16,5	14	23,1	4,5	2,6	13,6	14,3	36	30	10,3	22,2	9,5	max. 0,1	130	-40 to 60	1

Snap locks, plastic with knob



Material:
PC/ABS.

Version:
Black, chromed, white or beige.

Sample order:
K1653.247401

Note:
The push-in knob enables these snap locks to be installed flush into doors, hatches and panels.

Flammability: listed UL94-HB
Max. torque to tighten the nut: 4.2 Nm.

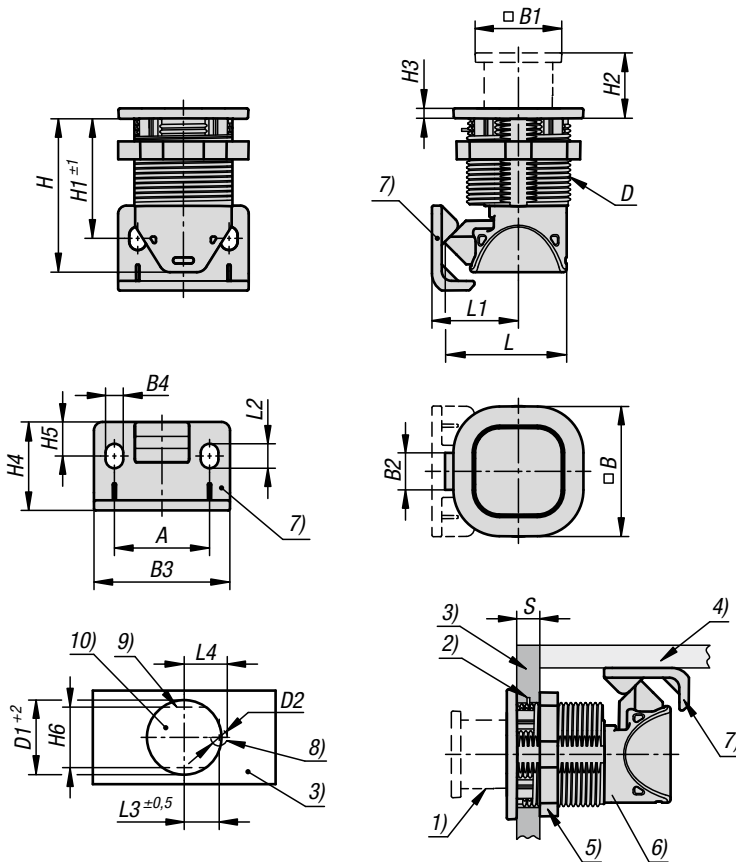
Method of operation:
When not actuated, the knob is flush with the housing. When the knob is pressed, it springs out and can be used to pull the door open. The door latches automatically when pushed shut. Press the knob in again to make it flush with the housing.

Application:
- Automobile industry
- Medical technology
- Machine construction
- Boat and ship building
- Aviation and aerospace
- Furniture industry

Assembly:
1. Produce a mounting cutout as shown in the drawing.
2. Attach the catch plate.
3. Secure from the rear using the mounting nut.

Supplied with:
Mounting nut and catch plate.
M5 screws for the catch plate are not supplied.

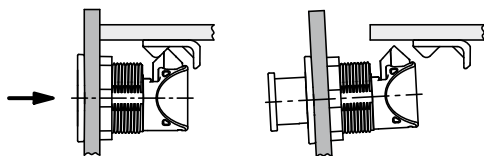
Drawing reference:
1) Knob
2) Guide pin to prevent twisting
3) Door leaf
4) Frame
5) Mounting nut
6) Housing
7) Catch plate
8) For guide pin (optional)
9) Cutout to prevent twisting (optional)
10) Mounting cutout



Snap locks, plastic with knob



Operating mode:



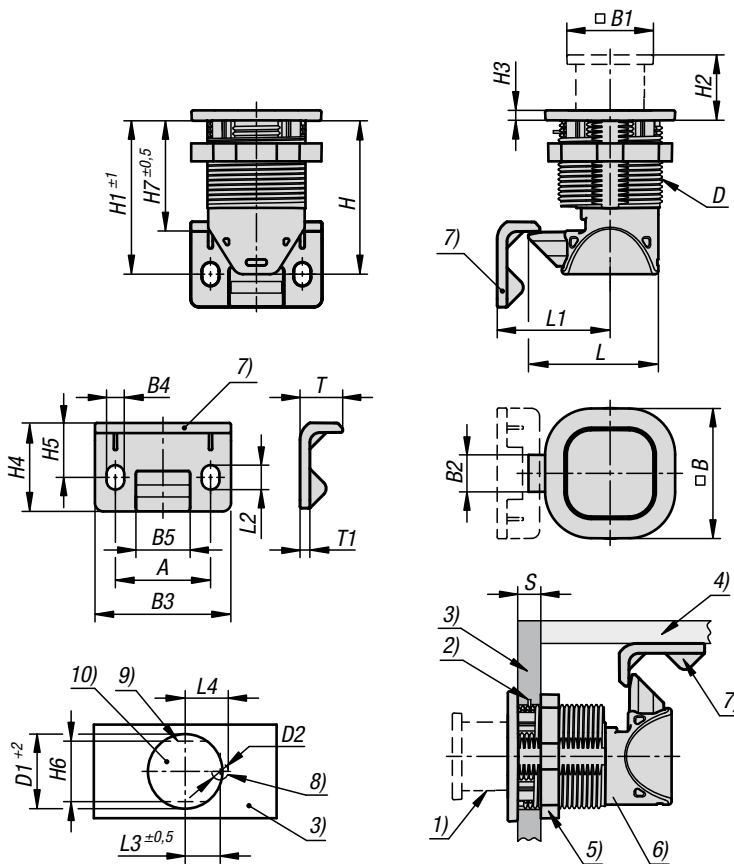
KIPP Snap locks, plastic with knob

Order No.	Main colour	A	B	B1	B2	B3	B4	D	D1	D2	H	H1	H2	H3	H4	H5	H6
K1653.247400	black	28	40	26,5	12	40	5,2	M32x1,5	32	7	47	36,6	17	3,2	26	10	30,2
K1653.247401	chromed	28	40	26,5	12	40	5,2	M32x1,5	32	7	47	36,6	17	3,2	26	10	30,2
K1653.247402	white	28	40	26,5	12	40	5,2	M32x1,5	32	7	47	36,6	17	3,2	26	10	30,2
K1653.247403	beige	28	40	26,5	12	40	5,2	M32x1,5	32	7	47	36,6	17	3,2	26	10	30,2

Order No.	L	L1	L2	L3	L4	Max. operating load in N	Temperature range °C	S = Door thickness in mm
K1653.247400	37,55	26,5	7,2	15	18,5	310	-30 to 60	1,2-19
K1653.247401	37,55	26,5	7,2	15	18,5	310	-30 to 60	1,2-19
K1653.247402	37,55	26,5	7,2	15	18,5	310	-30 to 60	1,2-19
K1653.247403	37,55	26,5	7,2	15	18,5	310	-30 to 60	1,2-19

Snap locks, plastic

with twist knob



Material:
PC/ABS.

Version:
Black, chromed, white or beige.

Sample order:
K1654.247401

Note:
The flush knob enables these snap locks to be installed flush into doors, hatches and panels.
The catch plate can also be used as a stop if there is no suitable strike surface available.

Flammability: listed UL94-HB
Max. torque to tighten the nut: 4.2 Nm.

Method of operation:
When not actuated, the knob is flush with the housing. When the knob is pressed, it springs out and can be used to retract the latch by twisting to the left or right. The door latches automatically when pushed shut. Press the knob in again to make it flush with the housing.

Application:

- Automobile industry
- Medical technology
- Machine construction
- Boat and ship building
- Aviation and aerospace
- Furniture industry

Assembly:

1. Produce a mounting cutout as shown in the drawing.
2. Attach the catch plate.
3. Secure from the rear using the mounting nut.

Supplied with:
Mounting nut and catch plate.
M5 screws for the catch plate are not supplied.

Drawing reference:

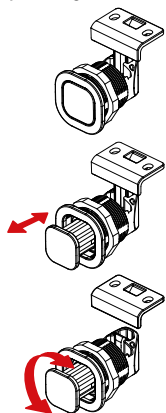
- 1) Knob
- 2) Guide pin to prevent twisting
- 3) Door leaf
- 4) Frame
- 5) Mounting nut
- 6) Housing
- 7) Catch plate
- 8) For guide pin (optional)
- 9) Cutout to prevent twisting (optional)
- 10) Mounting cutout

Snap locks, plastic

with twist knob



Operating mode:



KIPP Snap locks, plastic with twist knob

Order No.	Main colour	A	B	B1	B2	B3	B4	B5	D	D1	D2	H	H1	H2	H3	H4	H5	H6	H7
K1654.247400	black	28	40	26,5	12	40	5,2	16	M32x1,5	32	7	47	47	17	3,2	26	16	30,2	34
K1654.247401	chromed	28	40	26,5	12	40	5,2	16	M32x1,5	32	7	47	47	17	3,2	26	16	30,2	34
K1654.247402	white	28	40	26,5	12	40	5,2	16	M32x1,5	32	7	47	47	17	3,2	26	16	30,2	34
K1654.247403	beige	28	40	26,5	12	40	5,2	16	M32x1,5	32	7	47	47	17	3,2	26	16	30,2	34

Order No.	L	L1	L2	L3	L4	T	T1	Max. operating load in N	Temperature range °C	S = Door thickness in mm
K1654.247400	39,87	34,42	7,2	15	18,5	13	3	310	-30 to 60	1,2-19
K1654.247401	39,87	34,42	7,2	15	18,5	13	3	310	-30 to 60	1,2-19
K1654.247402	39,87	34,42	7,2	15	18,5	13	3	310	-30 to 60	1,2-19
K1654.247403	39,87	34,42	7,2	15	18,5	13	3	310	-30 to 60	1,2-19

HEINRICH KIPP WERK GmbH & Co. KG

Heubergstraße 2

72172 Sulz am Neckar

GERMANY

Tel. +49 7454 793-0

info@kipp.com

www.kipp.com



WE01ENPR2102