

## Pull handles stainless steel, tapped, Form B

### Item description/product images



### Description

#### Product description:

This pull handle is characterised by its large size and pleasant haptics. Easy to clean due to its closed and smooth design (i.e. suitable for foodstuff production, medical technology).

#### Material:

Pull handle investment cast stainless steel 1.4404.  
Screw, nut and washer stainless steel (1.4404).

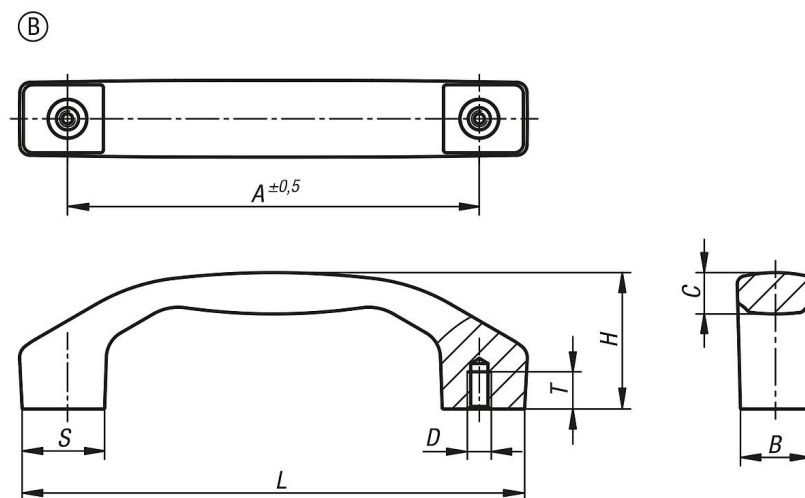
#### Version:

Abrasive blasted und electropolished.

#### Advantages:

Element for opening and closing covers, panels and hoods.  
Application fields: machine and plant construction, toolmaking, furniture industry, rehabilitation and medical technology.  
Torsionally strong and user friendly.

### Drawings



### Overview of items

Order No.	Form	Form definition	A	B	C	D	H	L	S	T	Load capacity N
K1642.210005	B	with internal thread	100	17	9,5	M5	33	122	20	7,5	1000
K1642.212006	B	with internal thread	120	21	11,4	M6	39	146	24	9	1000
K1642.214008	B	with internal thread	140	24	14,2	M8	45	170	28	12	1000
K1642.216008	B	with internal thread	160	28	15,5	M8	52	194	32	12	1000
K1642.218010	B	with internal thread	180	31	16	M10	58	218	36	15	1000