



HEINRICH KIPP WERK



WORKPIECE stabiliser

Edition 06 2023

CONTENTS



+49 7454 793-0



+49 7454 793-7982



sales@kipp.com



www.kipp.com

WORKPIECE-STABILISER

Product overview	5
Technical information	6-7

PRODUCTS

Workpiece stabiliser set with case	8
Workpiece stabiliser	9
Extension shafts for workpiece stabiliser	9
Fine adjustment for workpiece stabiliser	10
Magnet for workpiece stabiliser	11
Fastening set for T-slot workpiece stabiliser	12
Fastening set for Zero Point	
Clamping Technology workpiece stabiliser	12
Claw clamp for workpiece stabiliser	13
Clamping balls with cup for workpiece stabiliser	14



Per. № 002081qm15



SERVICE-HOURS (CET)

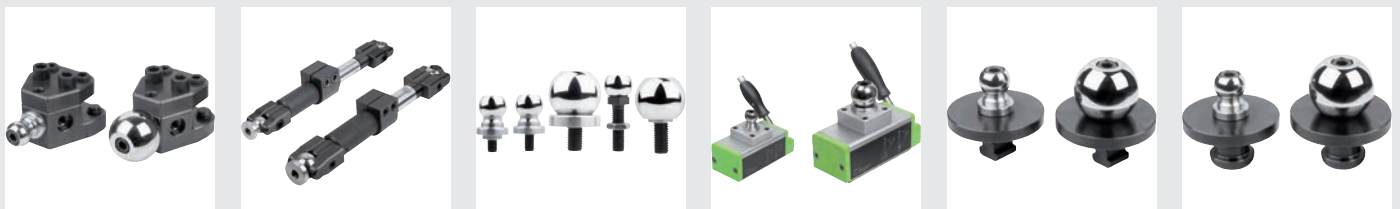
MONDAY - THURSDAY	7.00 am - 5.30 pm
FRIDAY	7.00 am - 3.30 pm

KIPP stabiliser



- Rigidity and vibration reduction during machining
- Cleverly designed system elements for rapid assembly
- 3D ball joint for optimum adaption to workpiece
- Various methods of fastening to workpiece and machine table
- Universal compatibility to T-slot machine tables, grid systems and UNI lock zero-point clamping systems
- Fine adjustment enables adjustment in both directions
- Different extension shafts for flexible length setups
- Optimal selection by two system sizes

Flexibility by connecting to workpiece, machine table and base elements:



Workpiece stabiliser



Workpiece stabiliser set
with case
K1296



Seite 8

Workpiece stabiliser
K1170



Seite 9

Extension shafts
for workpiece stabiliser
K1186



Seite 9

Fine adjustment
for workpiece stabiliser
K1187



Seite 10

Magnet
for workpiece stabiliser
K1188



Seite 11

Fastening set for T-slot
workpiece stabiliser
K1189



Seite 12

Fastening set for Zero Point Clamping
Technology
workpiece stabiliser
K1190



Seite 12

Claw clamp
for workpiece stabiliser
K1192



Seite 13

Clamping balls with cup
for workpiece stabiliser
K1193



Seite 14

Technical information Workpiece stabiliser



The workpiece stabiliser has been developed specifically for minimising vibrations and oscillations when machining sensitive and thin-walled workpieces.

This system is extremely flexible thanks to its different methods of fixing to the workpiece and the machine table.





- 1 Fastening set for T-slots
- 2 Magnet
- 3 Fastening set for zero-point interface
- 4 Workpiece stabiliser
- 5 Fine adjustment
- 6 Clamp strap
- 7 Clamping ball with cup

Workpiece stabiliser set

with case



Material:

Case plastic.

See corresponding product group for contents.

Version:

black.

Sample order:

K1296.925

Note:

Objects sized between 355 and 980 mm can be set up using this stabiliser set.

It is basic equipment for supporting workpieces.

The individual parts are safely stored in a plastic case.

The length of the workpiece stabiliser is infinitely adjustable.

With the locking mechanism, the shaft can be securely locked against tension and compression.

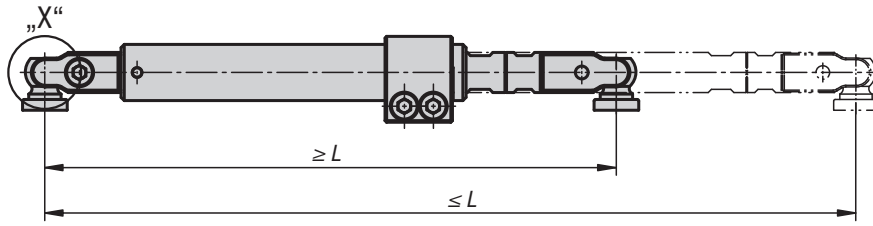
Supplied with:

- Case
- Workpiece stabiliser, K1170.355505
- Extension shaft L75, K1186.1625075
- Extension shaft L100, K1186.1625100
- Extension shaft L150, K1186.1625150
- Precision adjustment, K1187.25120150
- Fastening set for T-slots, 14 mm T-slot set, K1189.2514
- 18 mm T-slot block with M10, K0378.18.005
- 22 mm T-slot block with M10, K0378.22.005
- Clamping ball with cup M12, K1193.3251240
- Clamping ball with cup M16, K1193.3251640

KIPP Workpiece stabiliser set with case

Order No.	Item	Version 1
K1296.925	Workpiece Stabiliser Set	with case

Workpiece stabiliser



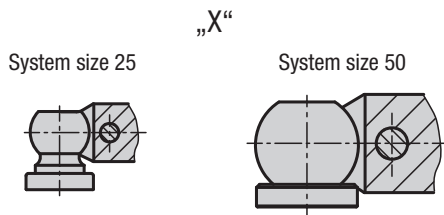
Material:
Steel.

Version:
Telescopic clamping unit and fastening set black oxidised.
Shaft bright.

Sample order:
K1170.255305

Note:
The length of the workpiece stabiliser is infinitely adjustable. The shaft can be securely clamped against tension and thrust by means of a locking mechanism.

The workpiece stabiliser consists of a telescopic clamping unit with two fastening sets and two clamping balls with Form B cups for system sizes 25 or 50.

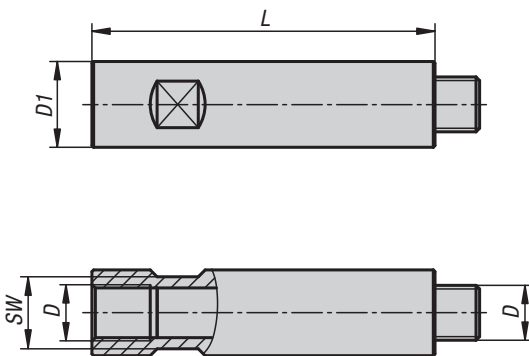


Order No.	Size	L min.	L max.	weight kg
K1170.255305	25	255	305	1,9
K1170.355505	25	355	505	2,5
K1170.50350450	50	350	450	6,7
K1170.50450650	50	450	650	7,7

K1186

Extension shafts

for workpiece stabiliser



Material:
Steel.

Sample order:
K1186.1625075

Note:
The extension shafts extend the adjustment range. They are mounted with the clamping ball between the workpiece stabiliser and the fastening set.

KIPP Extension shafts for workpiece stabiliser

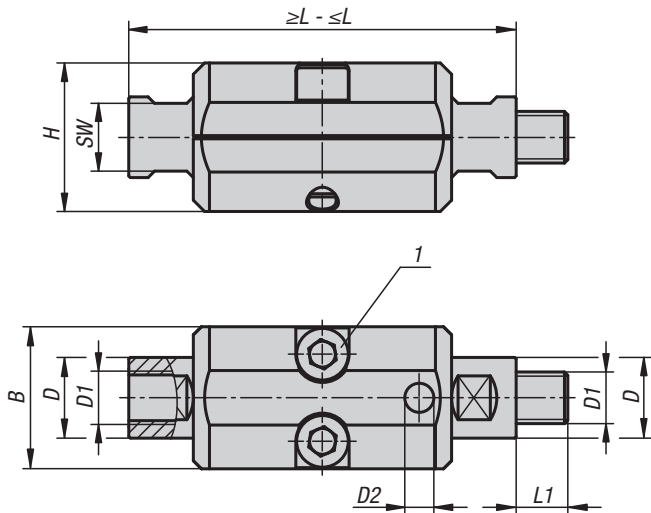
Order No.	Size	D	D1	L	SW	weight kg
K1186.1625075	25	M16x1,5	25	75	21	0,233
K1186.1625100	25	M16x1,5	25	100	21	0,293
K1186.1625150	25	M16x1,5	25	150	21	0,416
K1186.1625250	25	M16x1,5	25	250	21	0,697
K1186.1625500	25	M16x1,5	25	500	21	1,3
K1186.2750100	50	M27x2	40	100	36	0,726
K1186.2750150	50	M27x2	40	150	36	1,04
K1186.2750250	50	M27x2	40	250	36	1,623
K1186.2750500	50	M27x2	40	500	36	3,12

Fine adjustment

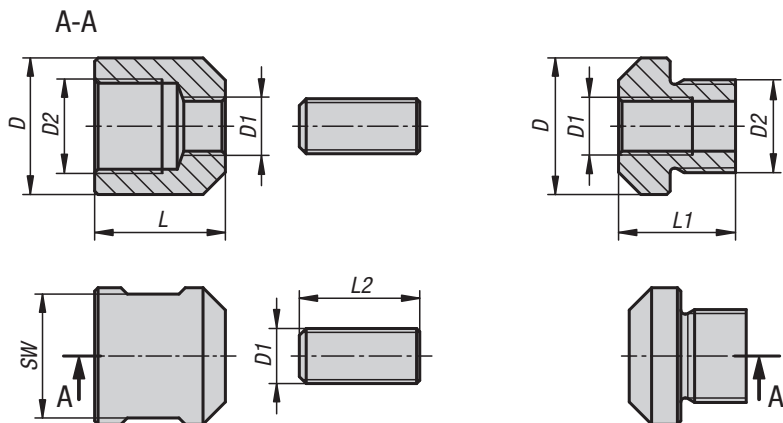
for workpiece stabiliser



System size 25



Adapter for system size 50



The fine adjustment enables the distance between the workpiece and support table to be precisely set. If required, the fine adjustment can be used to set the workpiece stabiliser under tensile or compressive load.

Material:
Steel.

Version:
Adapter piece black oxidised.
Half shells nitrided.

Sample order:
K1187.25120150

Note:
Only the fine adjuster K1187.25120150 is required for workpiece stabiliser system size 25.

When using fine adjustment on the workpiece stabiliser system size 50, the fine adjuster K1187.25120150 and the adapter K1187.50 (consisting of 2 adapter pieces and a grub screw) are required at the respective ends.

Drawing reference:
1) DIN EN ISO 4762 M10 cap screw

KIPP Fine adjustment for workpiece stabiliser

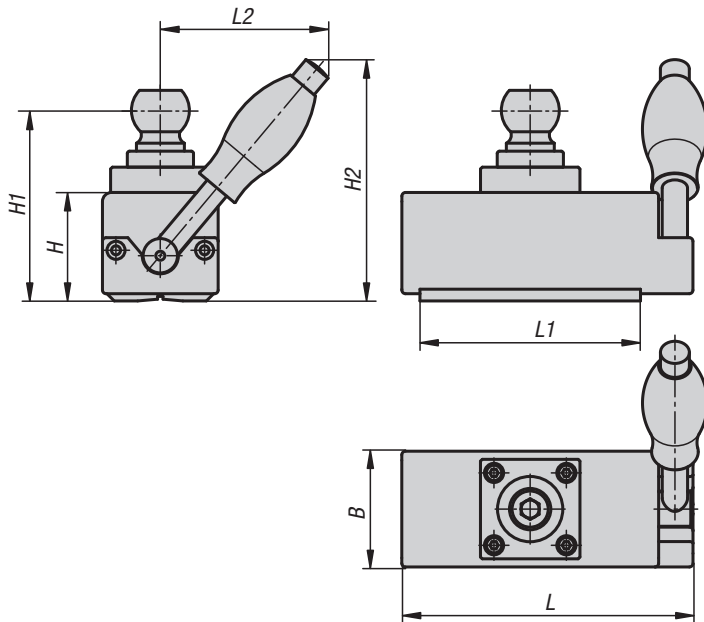
Order No.	Item	Size	B	D	D1	D2	H	L	L	L	L1	L2	SW
								min.	max.				
K1187.25120150	Fine Adjustment	25	44	25	M16x1,5	9	46	120	150	-	16	-	21
K1187.50	Adapter	50	-	39,7	M16x1,5	M27x2	-	-	-	38	34	35	36

Magnet

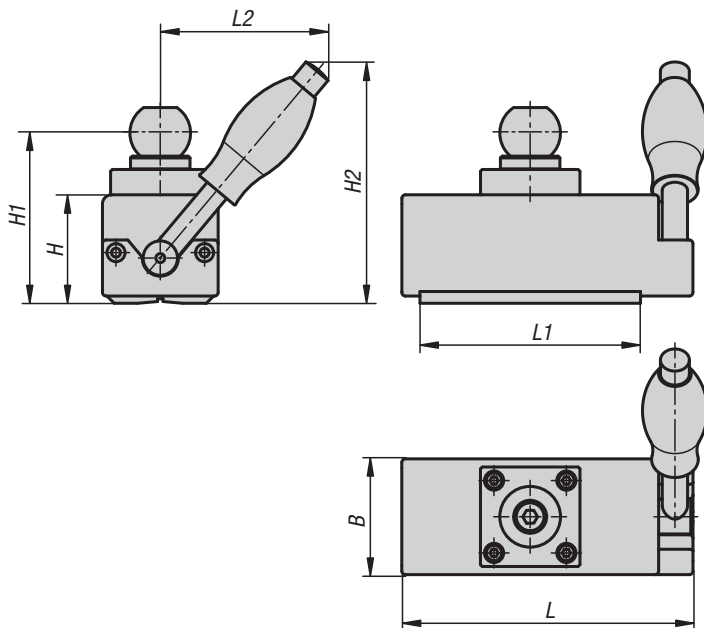
for workpiece stabiliser



System size 25



System size 50



The magnet is connected to the workpiece stabiliser. The magnet can be positioned anywhere enabling flexible placement on the machine table.

Sample order:
K1188.25161064

Note:

Maximum hold with the magnet K1188.25161064 for workpiece stabiliser system size 25 is achieved with a material thickness from 8 mm.

Maximum hold with the magnet K1188.50205087 for workpiece stabiliser system size 50 is achieved with a material thickness from 15 mm.

Must not be used as a hoisting tool.

The clamping balls can be exchanged between the two system sizes by using the matching adapter plates.

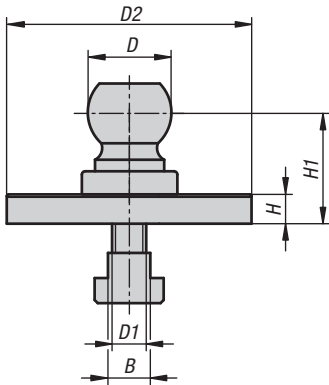
KIPP Magnet for workpiece stabiliser

Order No.	Size	B	H	H1	H2	L	L1	L2	Magnetic force N	weight kg
K1188.25161064	25	64	60	102	133	161	122	92	1470	3,73
K1188.50205087	50	87	78	134	181	205	162	145	1960	8,6

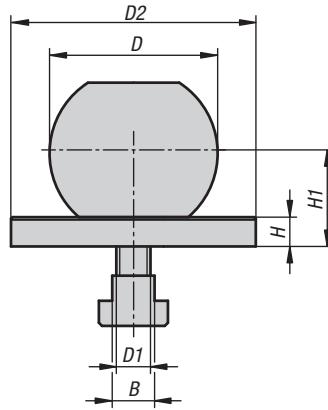
Fastening set for T-slot

workpiece stabiliser

System size 25



System size 50



Material:
Steel.

Sample order:
K1189.2512

Note:
These fastening sets for T-slots are for adapting to machine tables with T-slots.

The clamping balls can be exchanged between the two system sizes.

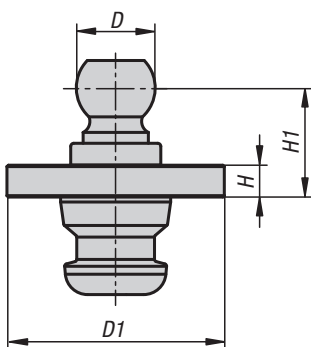
Order No.	Size	B	D	D1	D2	H	H1
K1189.2514	25	14	25,4	M10	78	10	35
K1189.2518	25	18	25,4	M10	78	10	35
K1189.2522	25	22	25,4	M10	78	10	35
K1189.2528	25	28	25,4	M10	78	10	35
K1189.5014	50	14	50	M10	78	10	30
K1189.5018	50	18	50	M10	78	10	30
K1189.5022	50	22	50	M10	78	10	30
K1189.5028	50	28	50	M10	78	10	30

K1190

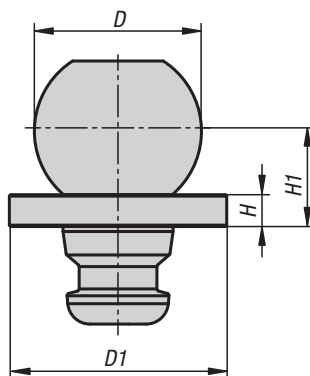
Fastening set for Zero Point Clamping Technology

workpiece stabiliser

System size 25



System size 50



Material:
Steel.

Sample order:
K1190.2540

Note:
The fastening set is suitable for adaption to UNILOCK zero point clamping technology.

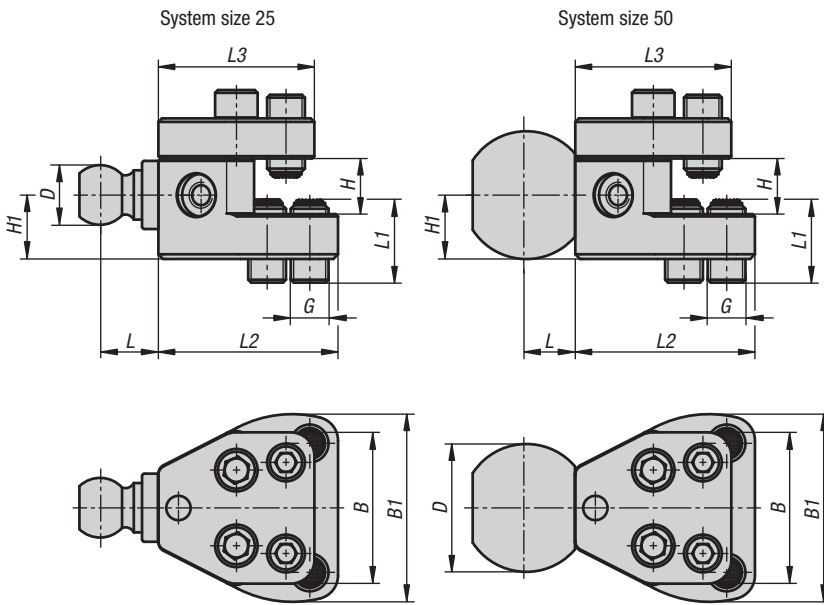
The clamping balls can be exchanged between the two system sizes.

KIPP Fastening set for Zero Point Clamping Technology workpiece stabiliser

Order No.	Size	D	D1	H	H1
K1190.2540	25	25,4	78	10	35
K1190.5040	50	50	78	10	30

Claw clamp

for workpiece stabiliser



Material:
Steel.

Version:
Claw clamps black oxidised.
Clamping ball bright.

Sample order:
K1192.258076

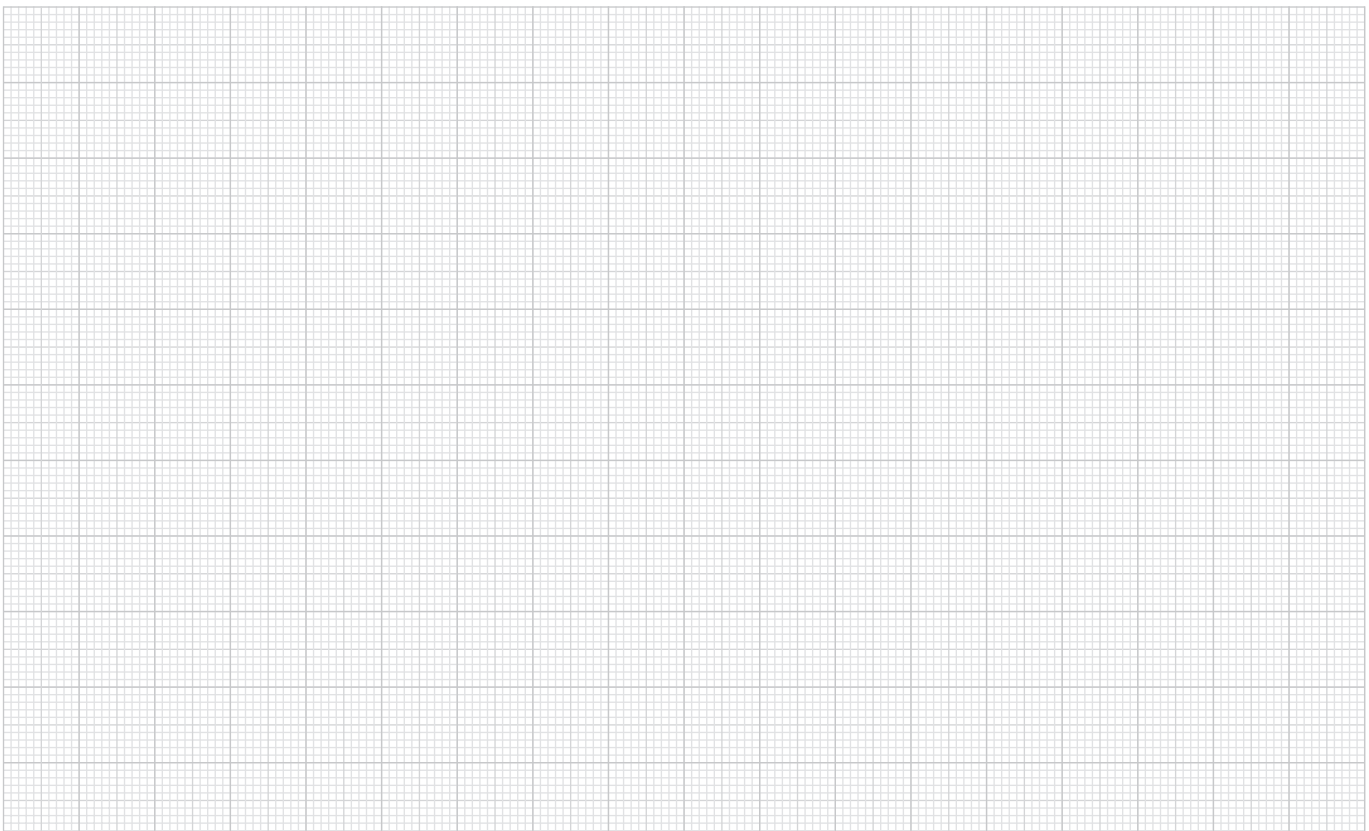
Note:
The clamping unit is used for connecting to the workpiece. The clamping ball can be attached to several points on the claw clamp. This enables flexible adjustment of the claw clamp.

KIPP Clamp strap for workpiece stabiliser

Order No.	Size	B	B1	D	G	H clamping range	H1	L	L1	L2	L3
K1192.258076	25	64	79	25,4	M16	0-45	27	25	25	76	66
K1192.508076	50	64	79	50	M16	0-45	27	20	25	76	66

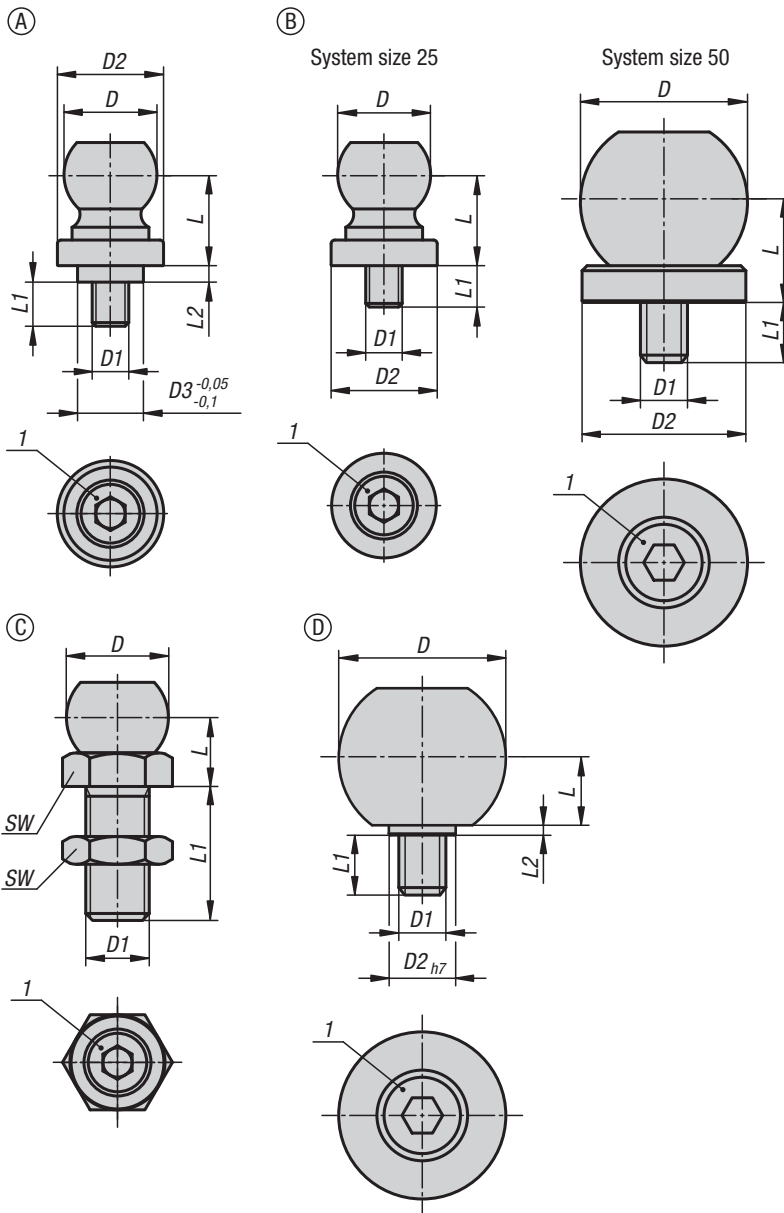
The clamping balls can be exchanged between the two system sizes.

Notes



Clamping balls with cup

for workpiece stabiliser



Material:
Steel.

Version:
DIN EN ISO 4017 hex head bolt , grade 8.8, black.
DIN EN ISO 4762 cap screw grade 8.8, black.
Clamping ball bright.

Sample order:
K1193.125

Note:
The clamping balls enable flexible connections between the workpiece and the workpiece stabiliser. The clamping balls provide a high degree of freedom on the workpiece.

Drawing reference:
1) DIN EN ISO 4762 cap screw

KIPP Clamping balls with cup for workpiece stabiliser

Order No.	Form	Size	D	D1	D2	D3	L	L1	L2	SW
K1193.125	A	25	25,4	M10	29	18	25	12,2	4,5	-
K1193.225	B	25	25,4	M10	29	-	25	11	-	-
K1193.250	B	50	50	M16	49	-	30	20,5	-	-
K1193.3251240	C	25	25,4	M12	-	-	17,3	40	-	18
K1193.3251640	C	25	25,4	M16	-	-	19,8	40	-	24
K1193.3252050	C	25	25,4	M20	-	-	22,3	50	-	30
K1193.3252450	C	25	25,4	M24	-	-	24,8	50	-	36
K1193.3502450	C	50	50	M24	-	-	34,5	50	-	36
K1193.3503060	C	50	50	M30	-	-	34,5	60	-	46
K1193.3503670	C	50	50	M36	-	-	34,5	70	-	55
K1193.450	D	50	50	M16	25	-	20	18	3,5	-



The standard terms and conditions of sale, delivery and payment that you can find on our website www.kipp.com apply.

HEINRICH KIPP WERK GmbH & Co. KG

Heubergstraße 2
72172 Sulz am Neckar

Tel.	+49 7454 793-7652
Fax	+49 7454 793-7983
E-Mail	spanntechnik@kipp.com
Internet	www.kipp.com

HEINRICH KIPP WERK GmbH & Co. KG

Heubergstraße 2

72172 Sulz am Neckar

GERMANY

Tel. +49 7454 793-0

info@kipp.com

www.kipp.com



WE01ENPR2306